

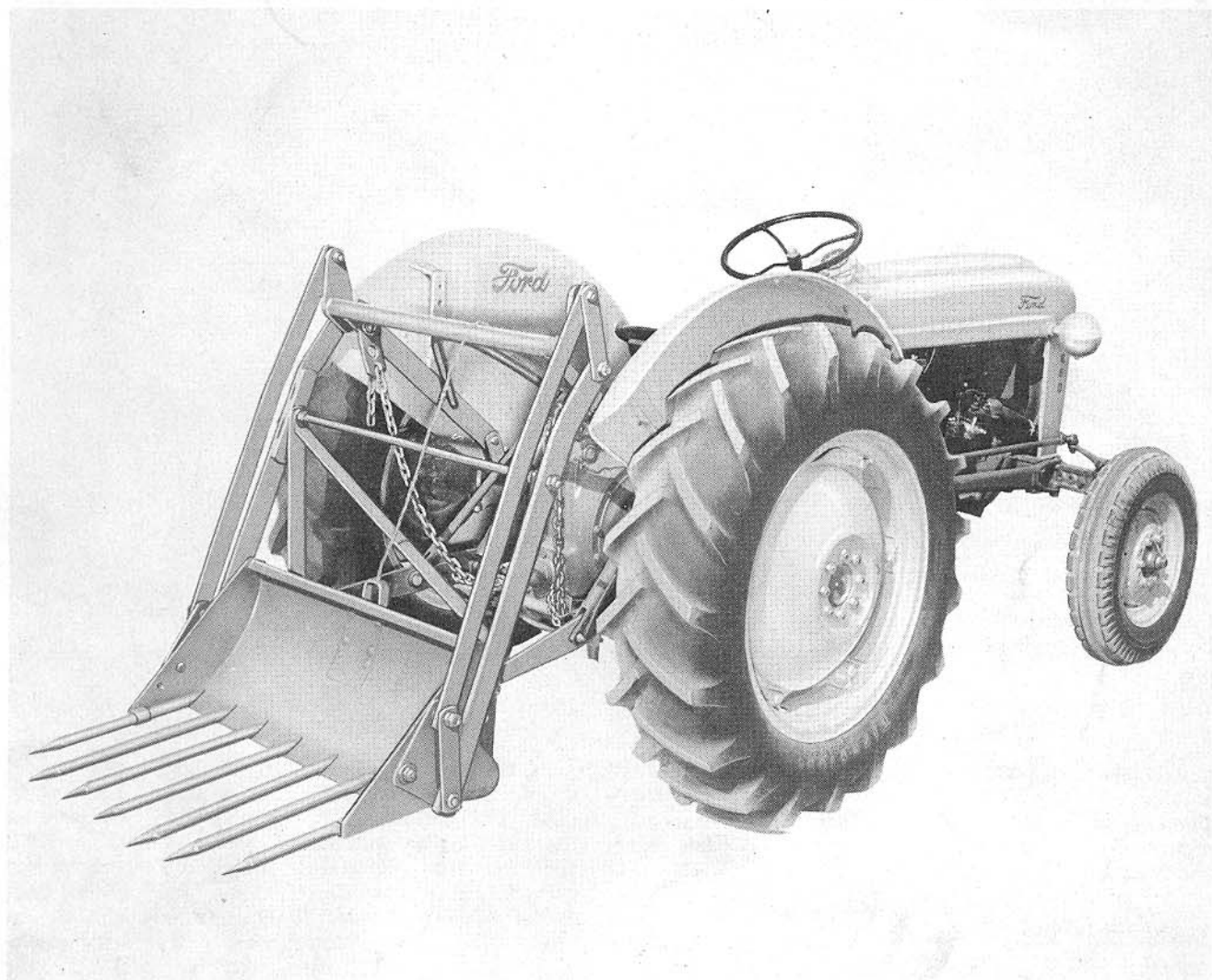


FORD REAR MOUNTED LOADER

Model 19-87



ASSEMBLY AND OPERATING INSTRUCTIONS



The Ford Rear Mounted Loader, Model 19-87, is a well constructed, easily attached loader engineered for farm use. It is easy to operate in low cramped areas, yet has ample dumping clearance for loading spreaders and farm wagons. With a lift capacity of 1100 pounds breakaway load and an extended lift capacity of 460 pounds, the steel main frame and lift arms provide long life and dependable service. The heavy, steel, welded fork is controlled by means of a manual trip and automatically returns to the locked position when dumped.

The basic Ford Rear Mounted Loader is designed to fit all previous and current model Ford Tractors by means of installation kits. And, after the initial installation, the loader can easily be removed from the tractor and the booster cylinders left attached without interfering with most implements.

This manual contains information on the assembly, lubrication and general operation of the Ford Rear Mounted Loader. Read it carefully and keep it available for ready reference.

Prepared by
TRACTOR AND IMPLEMENT DIVISION

Ford Motor Company

BIRMINGHAM, MICHIGAN

REAR MOUNTED LOADER

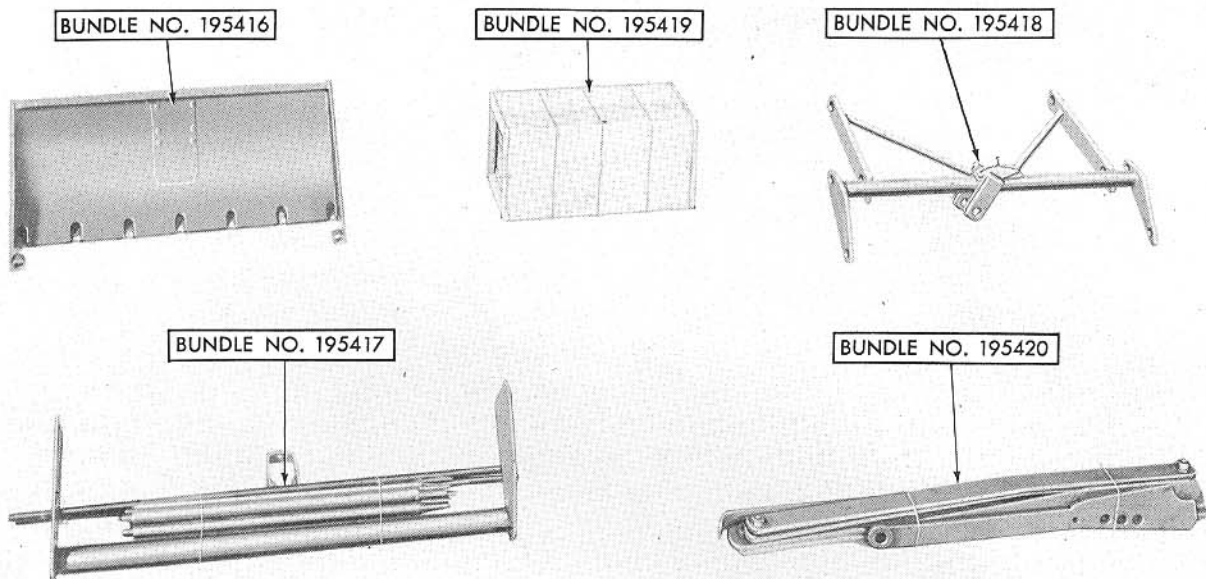


Figure 1
Basic Rear Mounted Loader Bundled for Shipment

SHIPPING INFORMATION

The basic Ford Rear Mounted Loader, Model 19-87, is shipped in five bundles, plus one attaching kit bundle, as outlined below. Check your shipment against this list and Figure 1 to be sure all parts are received.

Model 19-87 Basic Loader

Bundle No.	Description
195416	One Bucket Assembly
195417	One Bucket Cradle Assembly including Tines and Rods
195418	One Frame Assembly with Fender Brackets
195419	One Box of Miscellaneous Parts
195420	One Strut Assembly and Arm Assembly-Control Bundle
	Attaching Kits (One Required)

Model 19-88 for Series 600, 700, 800 and 900 Ford Tractors

Model 19-89 for Model NAA Ford Tractors

Model 19-90 for Model 8N Ford Tractors

ASSEMBLY PROCEDURE

Initial assembly of the Ford Rear Mounted Loader should be made on the tractor with which it will be used. The following instructions cover assembly of the basic loader and the Model 19-88 Attaching Kit for Series 600, 700, 800 or 900 Ford Tractors. When using these instructions for assembly of the basic loader and the Model 19-89 Attaching Kit on the Model NAA Ford Tractor, consult Page 7 for assembly steps 1 through 3, then page 4 for step 4 and the remaining procedure. Likewise, when assembling the basic loader and the Model 19-90 Attaching Kit on the Model 8N Ford Tractor, refer to Page 9 for assembly steps 1 through 3, then page 4 for step 4 and the remaining procedure.

NOTE: It is the responsibility of the Ford Tractor and Implement dealer to assemble the loader on the tractor and to instruct the owner in its operation, care and maintenance. The following instructions are provided in case of need.

1. Cut and remove wires from all bundles and lay out parts to facilitate assembly.
2. Install the fender brackets, the booster cylinder brace assembly and the booster cylinders on the tractor as follows:

REAR MOUNTED LOADER

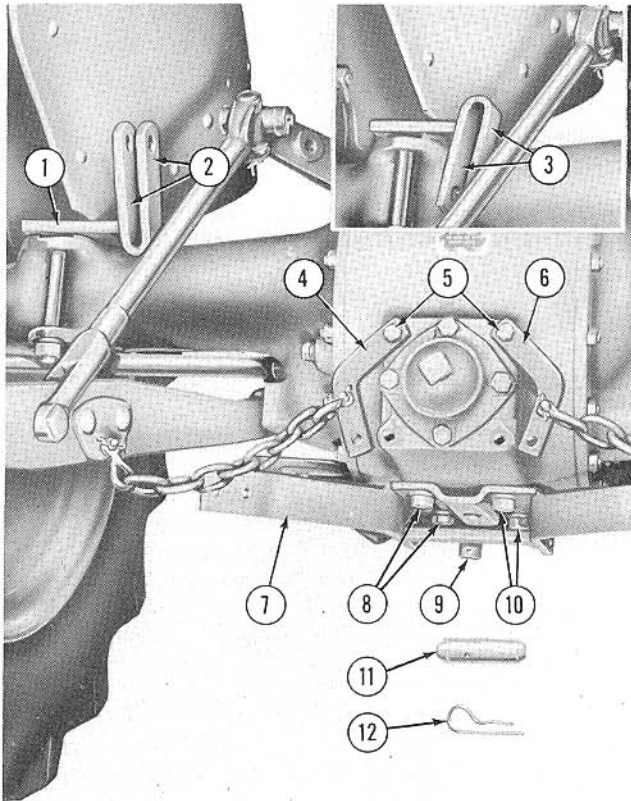


Figure 2

Booster Cylinder Plate and Fender Brackets Attached

a. Remove the clevis assembly from under the tractor center housing, if so equipped, and attach the booster cylinder plate (7), Figure 2, to the bottom of the tractor rear axle housing with four $\frac{5}{8}$ " x $1\frac{3}{8}$ " bolts (8) and (10), and lockwashers as shown.

b. Attach a fender bracket (1), Figure 2, under each tractor fender between the fender and the tractor axle so the struts (2) point upward and to the rear as shown. Secure with the fender bolts, lockwashers and nuts.

NOTE: When mounting the loader on a tricycle model tractor, switch the brackets left for right and mount them inverted so the struts (3), Figure 2, point down and to the rear as shown.

c. Loosen the two top bolts (5) holding the tractor check chain anchor brackets (4) and (6), Figure 2, and remove the two lower bolts as shown.

NOTE: When mounting the loader on a tricycle model tractor, detach the tractor check chains from the tractor clevis assembly and attach them to the hole (22), Figure 3, on each side of the main brace bracket assembly.

d. Tilt the tractor check chain anchor brackets out of the way and align the two holes in the

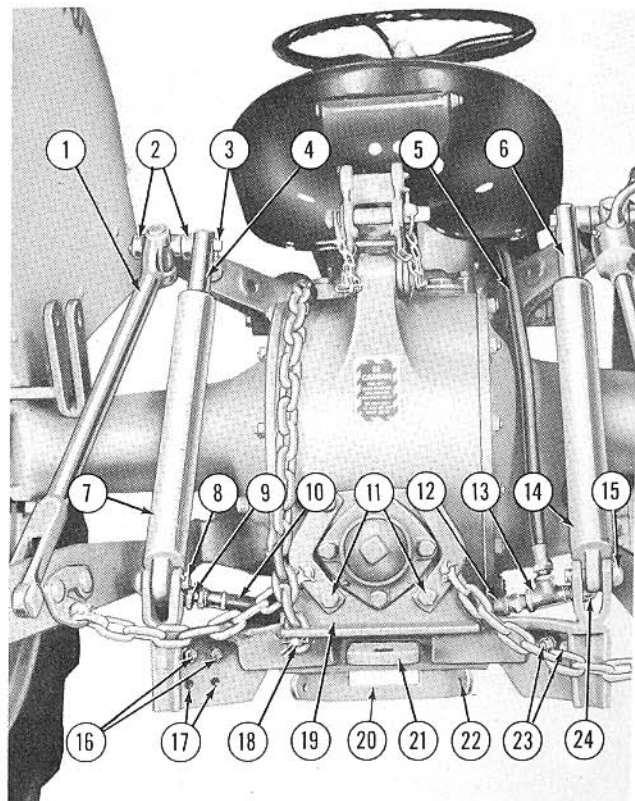


Figure 3

Booster Cylinders Attached to 600 Series Tractors

main brace bracket (19), Figure 3, with the two lower anchor bracket holes. Reposition the anchor brackets over the brace bracket (19), align the holes and replace the two lower anchor bracket bolts (11) as shown in Figure 3.

e. Bolt the booster cylinder main brace (19), Figure 3, to each side of the plate (7), Figure 2, with the four $\frac{3}{8}$ " x $1\frac{1}{4}$ " bolts (16) and (23), Figure 3, lockwashers and nuts.

NOTE: When mounting the loader on 600, 700 and 900 Series Ford Tractors, insert the bolts (16) and (23), Figure 3, in the upper holes of the brace on each side of the plate (19), as shown. When mounting the loader on 800 Series Ford Tractors, use the lower holes (17) on each side of the plate (19).

f. Insert the hitch bar (21), Figure 3, through the upper slot in the main brace as shown (Use the lower slot (20) for tricycle tractors) and align the forward hole in the hitch bar with the hole (9), Figure 2, in the cylinder plate (7). Insert the hitch bar pin (11), Figure 2, through the hole (9) and the hitch bar and secure with the hair pin (12), provided.

NOTE: When the hitch bar is not in use, it may be repositioned further under the tractor

REAR MOUNTED LOADER

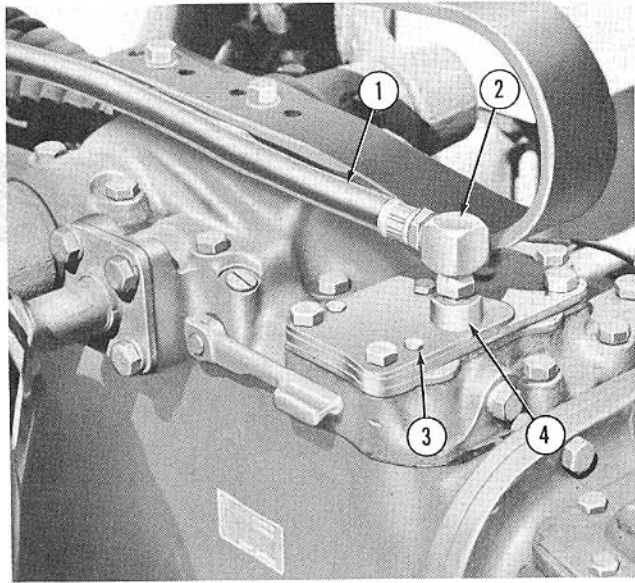


Figure 4

Booster Cylinder Oil Line Attached to Tractor Hydraulic System

and secured by placing the hitch pin through the center hole in the hitch bar.

- g. Attach the booster cylinders (7) and (14), Figure 3, to the clevis on each side of the main brace (19) with the two $\frac{5}{8}$ " x $1\frac{13}{16}$ " clevis pins (8) and (15) and secure with the cotter pins provided.

CAUTION: When mounting the hydraulic cylinders, do not remove the cylinder rams from the cylinders at any time.

- h. Remove the pin which connects the tractor left hand rod (1) to the lift arm (2), Figure 3, and replace it with the long pin (3) provided. Place a flat washer on the end of the pin (3), push the pin on through the left hand cylinder piston (4) as shown in Figure 3 and secure with the cotter pin provided.
 - i. Attach the right hand cylinder piston (6), Figure 3, to the tractor right hand lift rod pin in the same manner.
3. Attach the hydraulic lines and connections for the booster cylinder as follows:

NOTE: To avoid leaking joints in the loader hydraulic lines and fittings, coat all threads with plumber's compound and tighten securely.

 - a. Attach the two $\frac{3}{8}$ " street ells (9) and (24), Figure 3, in the pipe tapped hole at the base of each cylinder (7) and (14) as shown.
 - b. Turn the $\frac{3}{8}$ " pipe tee (13), Figure 3, onto the street ell (24) with the shank of the tee pointing up.
 - c. Attach the short hose (10), Figure 3, between the street ell (9) and the pipe tee (13).

- d. Thread one end of the long hose (5), Figure 3, into the tee (13) as shown. Attach the adapter (2), Figure 4, to the other end of the long hose (1).
- e. Lower the tractor hydraulic touch control lever, make sure the tractor lift arms are completely lowered and place a drain pan under the tractor to catch any oil leakage. Then, remove the $\frac{7}{16}$ " bolt from the outlet (4), Figure 4, on the tractor hydraulic lift cover (3) and attach the adapter (2) to the outlet as shown.

4. Install the upper frame, control arm and lift strut assemblies as follows:

CAUTION: If the Ford Rear Mounted Loader is to be attached to a tractor that is equipped with rear lamp and trailer lamp socket assemblies, the rear lamp and trailer lamp socket and bracket assembly must be removed to avoid being damaged when the loader is raised.

- a. Attach the left side of the upper frame (4), Figure 5, to the left fender bracket (5) and the right side (8) to the right fender bracket (16) with the $\frac{3}{4}$ " x $1\frac{3}{4}$ " bolts provided. Secure with cotter pins and temporarily let the upper frame bar (1) rest on the tractor lower links.
- b. Position the tractor drawbar (19), Figure 5,

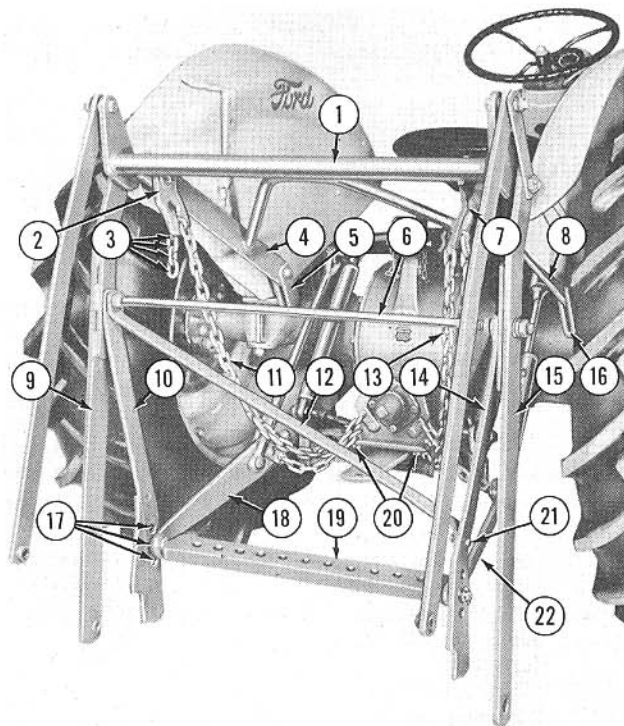


Figure 5

Upper Frame, Control Arm and Lift Strut Assemblies Attached

REAR MOUNTED LOADER

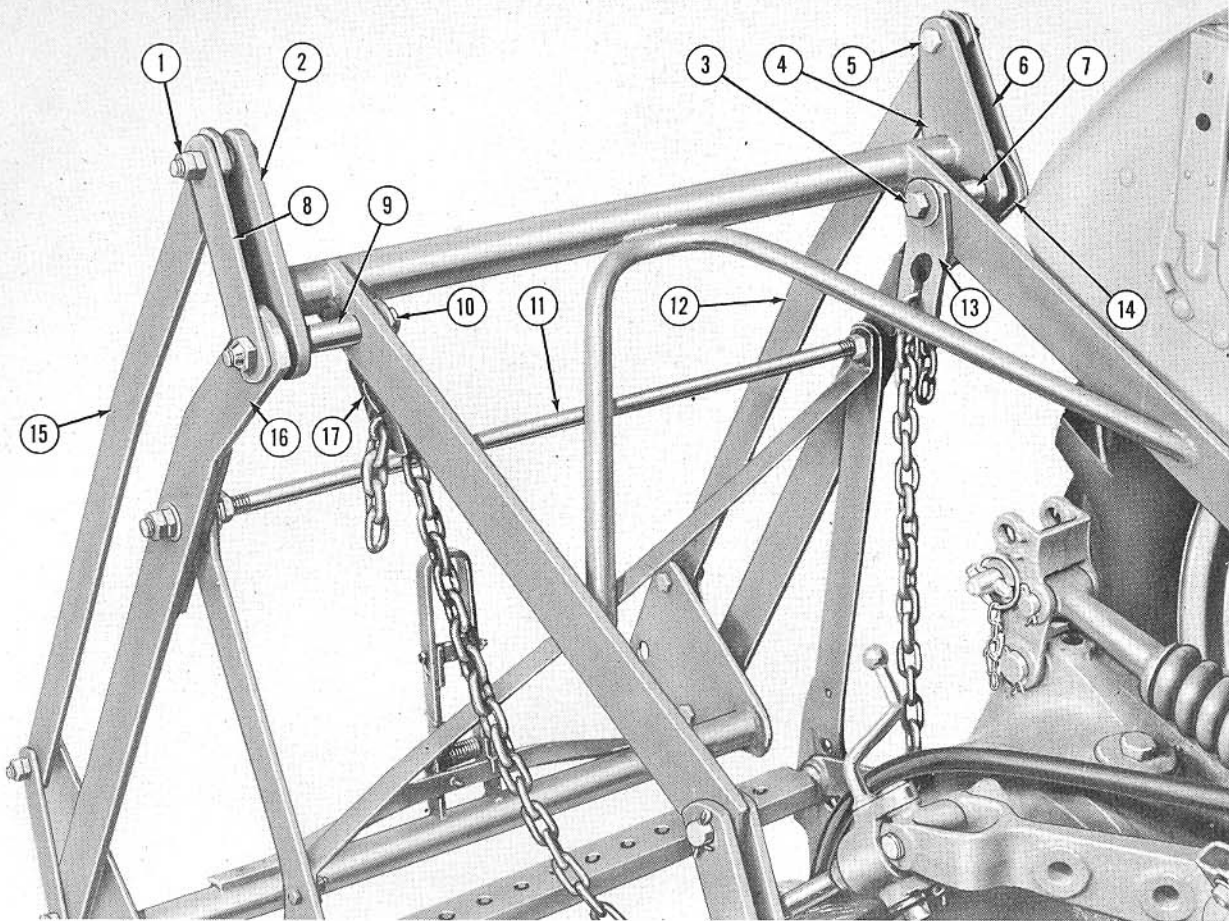


Figure 6

Lift Arms and Upper Locking Links Attached

- between the tractor lower links (18) and (22) and place the right and left lifting struts (10) and (14) on the drawbar pins. Use the center holes (17) on the lift struts as shown. Temporarily lower the struts to the ground behind the tractor and secure each end of the drawbar with a linch pin.
- Assemble two jam nuts on each end of the tie rod (6), Figure 5, as far as the threads will permit. Place a $\frac{3}{4}$ " flat washer on the right end of the rod and place the cross brace (12) on the left end as shown. Position the tie rod between the lift struts (10) and (14) as shown in Figure 5 and secure the lower end of the brace (12) to the right hand lift strut with the bolt (21), lockwasher and nut provided.
 - Place a $1" \times 1\frac{1}{2}"$ spacer over each end of the tie rod (6), Figure 5, and lubricate each spacer with a good grade of gun grease. Position the right and left hand lower control arms (9) and (15), Figure 5, on the spacers and secure each end of the tie rod (6) with a $\frac{3}{4}"$ flat washer and two jam nuts. The two inner jam nuts on each side of the tie rod should now be turned out to secure each side of the assembly.
 - Place two $\frac{3}{4}"$ flat washers and two chain attaching links (13) and (17), Figure 6, on the two $\frac{3}{4}" \times 6\frac{1}{2}"$ bolts (3) and (10) and insert the bolts (from inside out) through each side of the upper link frame as shown. Place the $\frac{3}{4}" \times 3\frac{1}{2}"$ spacers (7) and (9) on each of the bolts (3) and (10) as shown in Figure 6 and slide the bolts on through the frame brackets (2) and (4). Lubricate each spacer with a good grade of gun grease.
 - Raise the tie rod (11), Figure 6, and strut assembly and place the curved end of the lower control arms (14) and (16) and a locking link (6) and (8) on each of the bolts (3) and (10) as shown and secure each with a torque prevailing lock nut.
 - Insert the $\frac{5}{8}" \times 2\frac{3}{4}"$ bolts (1) and (5), Figure 6, through the top hole in each frame bracket (2) and (4) as shown. Place a $1\frac{3}{16}"$

REAR MOUNTED LOADER

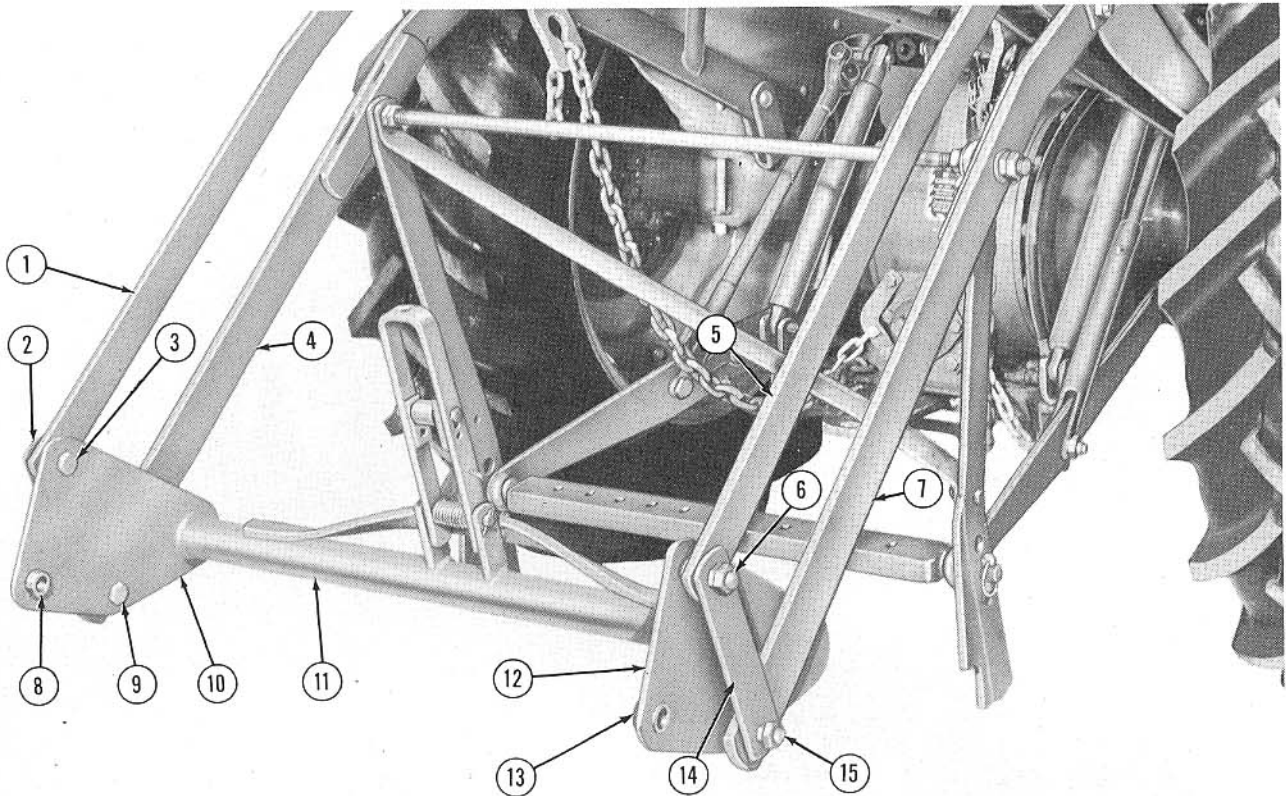


Figure 7

Lower Locking Links and Fork Cradle Attached

x 1" spacer on each bolt and lubricate them with a good grade of gun grease. Position the upper control arms (12) and (15) so the bent end is up and pointing toward the direction of travel as shown in Figure 6, and place them on the spacers. Slip the free end of the upper locking links (6) and (8) on the bolts (1) and (5) and secure with the nuts and jam nuts provided.

5. Attach the bucket cradle assembly to the loader control arms in the following manner:
 - a. Position the bucket cradle assembly (11), Figure 7, on the ground between the lower control arms (4) and (7) as shown.
 - b. Insert the $\frac{5}{8}$ " x $2\frac{1}{2}$ " bolts (9) and (15), Figure 7, through the lower rear hole in each bucket cradle side plate (10) and (12), place a $\frac{13}{16}$ " x $\frac{7}{8}$ " spacer on each bolt and lubricate the spacers with gun grease.
 - c. Push the bolts (9) and (15), Figure 7, through the hole in the lower control arms (4) and (7), place the lower locking links (2) and (14) on the bolts and secure with nuts and jam nuts as shown.
 - d. Insert the $\frac{5}{8}$ " x $2\frac{1}{2}$ " bolts (3) and (6), Fig-

ure 7, through the top hole in each bucket cradle side plate (10) and (12), place a $\frac{13}{16}$ " x $\frac{7}{8}$ " spacer on each bolt and lubricate the spacers with gun grease.

- e. Push the bolts (3) and (6), Figure 7, on through the lower hole in the upper control arms (1) and (5) and through the free end of the lower locking links (2) and (14). Secure each of the bolts (3) and (6) with a nut and jam nut as shown.
6. Attach the two stop chains (11) and (13), Figure 5, between the tractor and the loader as follows:
 - a. Insert the end link of each stop chain (11) and (13), Figure 5, through the slots (20) on the cylinder mounting bracket and secure with drilled pins (18) and cotter pins as shown in Figure 3.
 - b. Drop the free end of the chains (11) and (13), Figure 5, through their respective chain attaching links (2) and (7) so that the desired number of links of each chain are hanging free through the attaching links as shown at (3). Consult the chart on Page 11 for proper chain settings.
7. Attach the bucket fork assembly, tines and trip rope as follows.

REAR MOUNTED LOADER

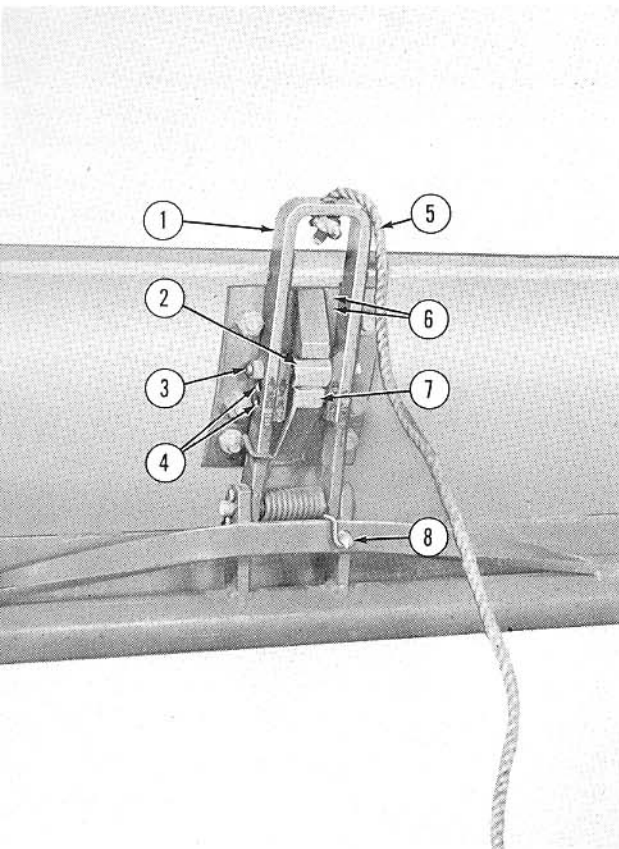


Figure 8
Fork Latch Adjustment

- Place a $1\frac{3}{16}$ " x $\frac{7}{8}$ " bearing inside the bushings (8) and (13), Figure 7, in each bucket cradle side plate. Coat the bearings with a good grade of gun grease.
- Position the bucket fork assembly (5), Figure 9, in the cradle assembly so the bucket latch yoke (7), Figure 8, is held by the latch yoke roller (2).
- Place the $\frac{5}{8}$ " x $2\frac{1}{4}$ " bolts (4) and (7), Figure 9, through the upper hole in each side of the bucket (5) and through the bearings in each side of the cradle assembly as shown. Secure each bolt with a flat washer, nut and jam nut.
- Insert the seven tines (1), Figure 9, through the ports (2) in the bucket and secure each tine at the rear of the bucket with the $\frac{1}{4}$ " cotter pins as shown at (3).
- Insert the trip rope (5), Figure 8, through the hole in the top of the latch yoke (1) and tie a knot in the end so the rope will not pull loose from the latch. Tie the free end of the trip rope to the tractor within easy reach of the operator.

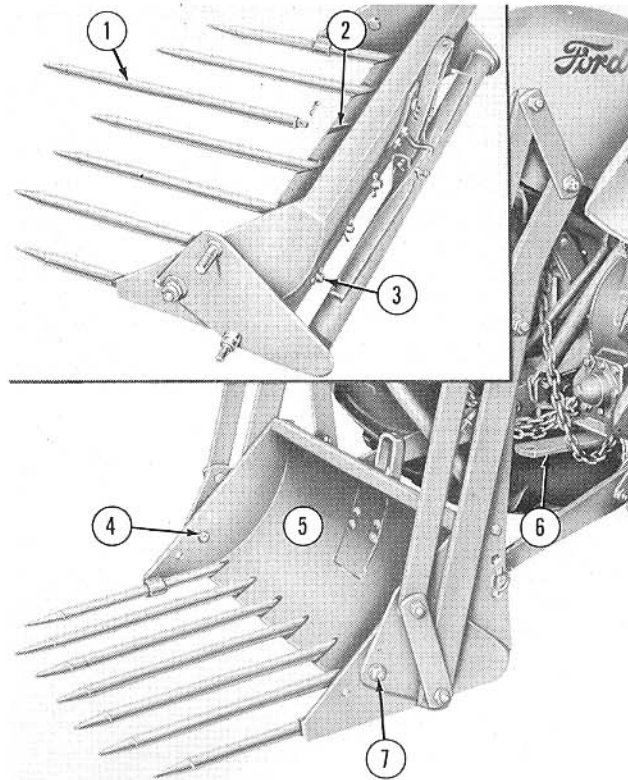


Figure 9
Bucket Fork Attached

ASSEMBLY PROCEDURE FOR THE MODEL 19-89 ATTACHING KIT

The following instructions outline the procedure for mounting the Model 19-89 Attaching Kit on a Model NAA Ford Tractor in preparation for attaching the basic Ford Rear Mounted Loader, Model 19-82.

- Cut and remove the wires from all of the bundles and lay out the parts to facilitate assembly.
- Install the cylinder bracket and hydraulic cylinder boosters on the tractor as follows:
 - Remove the tractor check chains as shown in Figure 10. The check chains cannot be used on the Model NAA Ford Tractor when the Rear Mounted Loader is installed. Remove the nut and stud from each side of the tractor rear axle housing at (7), Figure 10.
 - Remove the tractor drawbar clevis assembly (if tractor is so equipped) and attach the booster cylinder bracket (11), Figure 10, to the tractor with the four bolts (10), Figure 11, and lock-washers as shown.
 - Position the main brace (8) and the right hydraulic cylinder (9), Figure 10, on the cylinder

REAR MOUNTED LOADER

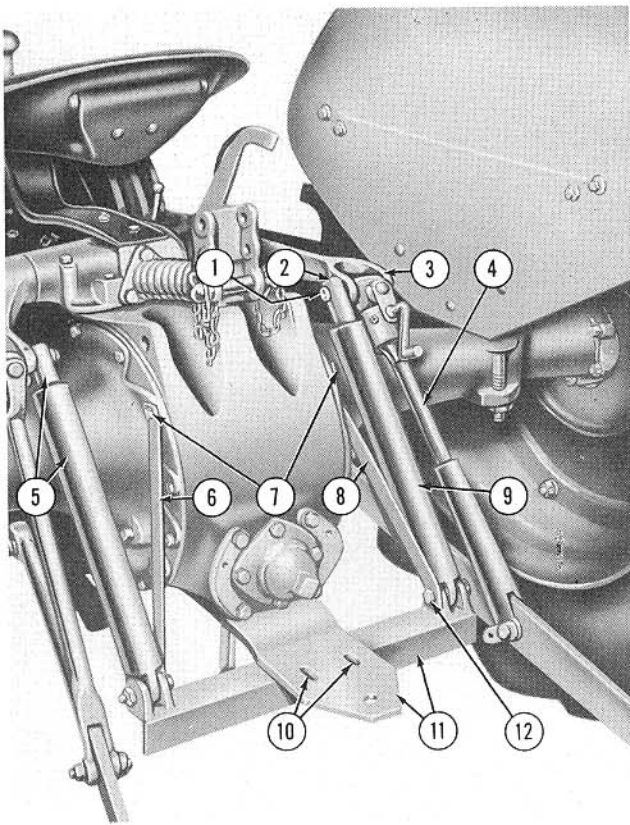


Figure 10

Booster Cylinder Bracket, Main Brace and Booster Cylinder Assemblies Attached

bracket and insert the $\frac{5}{8}$ " x 3" hex head bolt (12) through the main brace, the bracket clevis and the cylinder as shown. Secure with a lockwasher and nut.

CAUTION: When mounting the hydraulic cylinders, do not remove the cylinder rams from the cylinders at any time.

- d. Attach the cylinder ram (2), Figure 10, to the right hand tractor lift arm (3) and the lift rod (4) with the long pin (1). Place a flat washer on the pin between the lift arm and the cylinder ram and secure with a cotter pin.
 - e. Attach the left hydraulic cylinder and ram assembly (5), Figure 10, and the lower end of the main brace (6) in the same manner.
 - f. Bolt the upper end of the main braces (6) and (8), Figure 10, to each side of the tractor with the two $2\frac{3}{8}$ " stud bolts (7) provided with the attaching kit.
3. Attach the hydraulic lines to the cylinders as follows:
 - a. Attach the two hydraulic hoses (9) and (11),

Figure 11, to the pipe tapped holes at the base of each hydraulic cylinder.

NOTE: To avoid leaking joints in the loader hydraulic lines and fittings, coat all threads with plumber's compound and tighten securely.

- b. Assemble the right and left pipes (6) and (8), Figure 11, to the tee (7). Next, attach the main hydraulic pipe (5) to the tee (7), and the union street ell (1) to the top of the main pipe (5) as shown.

CAUTION: Before installing the hydraulic lines on the tractor, lower the Ford Hydraulic Touch Control Lever to the down position and be sure the tractor lift arms are completely lowered.

- c. Place a drain pan under the tractor to catch any oil leakage and remove the plug from the outlet in the hydraulic manifold plate (Part No. NAA-475-A). Coat the threads of the street ell (2), Figure 11, with pipe compound and turn it into the tapped hole in the manifold plate.
- d. Attach the pipe hanger (4), Figure 11, to the tractor right side as shown with the bolt (3) located on the tractor.

NOTE: The tractor right running board has been removed in Figure 11 for illustration purposes. Complete removal is not necessary for installation of the hydraulic lines.

- e. Position the pipe assembly on the hanger (4), Figure 11, as shown and attach the free ends of the hoses (9) and (11) to the pipes (6) and (8). Connect the union street ell (1) and the street ell (2) and tighten securely.

NOTE: Refer to page 4 of this manual for steps 4 through 7 which outline the correct procedure for mounting the basic Ford Rear Mounted Loader on the tractor. When attaching the stop chains in step 6 a, insert the end link of each stop chain (11) and (13), Figure 5, through the slots (10), Figure 10, on the cylinder mounting bracket. Then, follow the balance of the procedure as outlined.

ASSEMBLY PROCEDURE FOR THE MODEL 19-90 ATTACHING KIT

The following instructions outline the procedure for mounting the Model 19-90 Attaching Kit on a Model 8N Ford Tractor in preparation for attaching the basic Ford Rear Mounted Loader, Model 19-87.

1. Remove the shipping bands and lay out all the parts to facilitate assembly.
2. Install the cylinder bracket and hydraulic cylinder boosters to the tractor as follows:

REAR MOUNTED LOADER

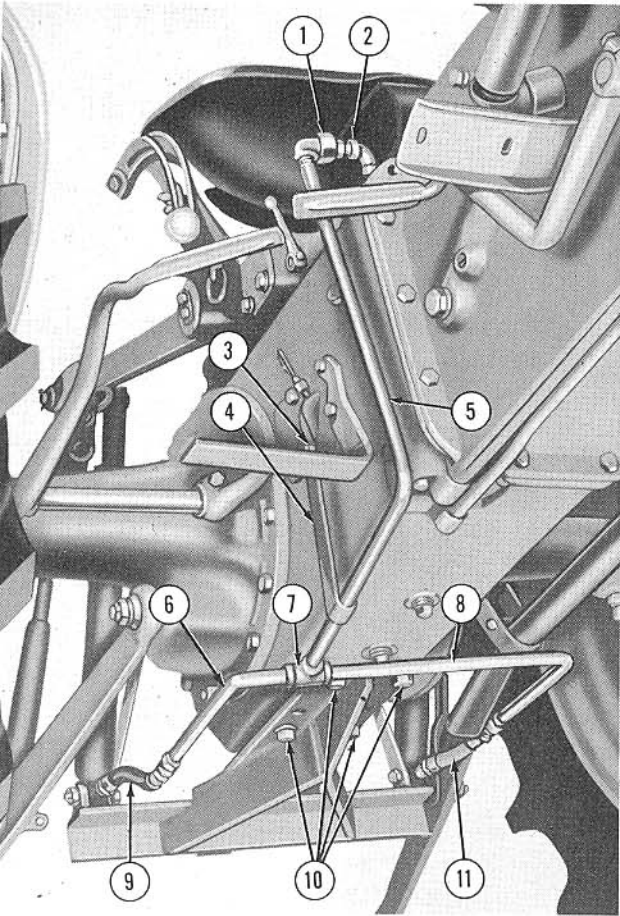


Figure 11

Model 19-89 Attaching Kit Hydraulic Lines

- a. Remove the tractor check chains as shown in Figure 10. These chains cannot be used on the Model 8N Ford Tractor when the Rear Mounted Loader is installed. Remove the nut and stud from each side of the tractor rear axle housing at (7), Figure 10.
- b. Remove the tractor drawbar clevis assembly (if tractor is so equipped) and attach the booster cylinder bracket (11), Figure 10, to the tractor with the four bolts (10), Figure 12, and lockwashers as shown.
- c. Position the main brace (8) and the right hydraulic cylinder (9), Figure 10, on the cylinder bracket and insert the $\frac{5}{8}$ " x 3" hex head bolt (12) through the main brace, the bracket clevis and the cylinder as shown. Secure with a lockwasher and nut.

CAUTION: When mounting the hydraulic cylinders, do not remove the cylinder rams from the cylinders at any time.

- d. Attach the cylinder ram (2), Figure 10, to the

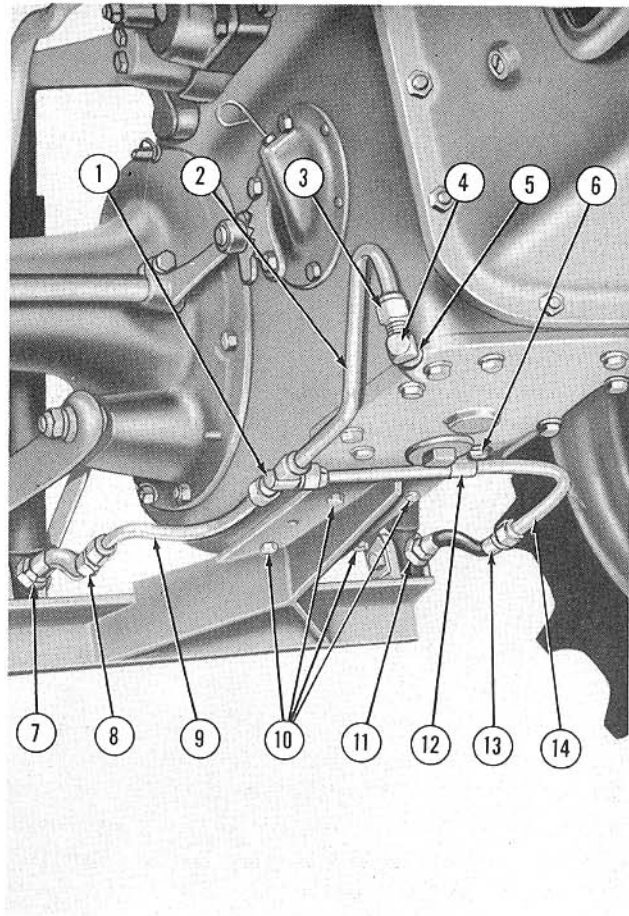


Figure 12

Model 19-90 Attaching Kit Hydraulic Lines

- e. Attach the left hydraulic cylinder and ram assembly (5) and the lower end of the main brace (6), Figure 10, in the same manner.
 - f. Bolt the upper end of the main braces (6) and (8), Figure 10, to each side of the tractor with two $2\frac{3}{8}$ " stud bolts (7) provided with the attaching kit.
3. Attach the hydraulic lines to the cylinders as follows:
 - a. Remove the tractor right hand running board. Then remove the nut and washer which secures the muffler to the tractor rear axle housing and swing the muffler away from the tractor.

NOTE: The tractor muffler has been removed in Figure 12, for illustration purposes. Complete removal is not necessary for installation

REAR MOUNTED LOADER



Figure 13

The Ford Rear Mounted Loader in Operation

of the hydraulic hoses. Merely swing the muffler away from the tractor to give clearance.

- b. Attach the two hydraulic hoses (8) and (13), Figure 12, to the pipe tapped holes (7) and (11) at the base of each cylinder.
- c. Assemble the right and left lines (9) and (14), Figure 12, to the tee (1) as shown. The free end of the hose (8), Figure 12, should now be attached to the line (9) and the hose (13) attached to the line (14). Attach the main line (2), Figure 12, to the tee (1), as shown

CAUTION: *Before attempting to complete the assembly steps that follow, lower the Ford Hydraulic Touch Control Lever to the down position and make sure the tractor lift arms are completely lowered.*

- d. Place a drain pan under the tractor and remove the plug (cap screw) from the outlet in the base of the tractor hydraulic pump. Stop

the flow of oil from the opening by placing your thumb over it. Place the washer against the lock nut and turn the adaptor (4), Figure 12, into the outlet as shown. Tighten the lock nut (5) on the adaptor firmly against the face of the outlet. Connect the tube nut (3) on the adaptor (4) as shown.

- e. Position the clip (12), Figure 12, on the line (14), remove the cap screw (6) and place your thumb over the opening to stop the flow of oil. Insert the cap screw through the hole in the clip and replace the cap screw as shown.
- f. Replace the tractor running board and re-attach the muffler assembly.

NOTE: *Refer to page 4 of this manual for steps 4 through 7 which outline the correct procedure for mounting the basic Ford Rear Mounted Loader on the tractor. When attaching the stop chains in step 6 a, insert the end link of each stop chain (11) and (13), Figure*

REAR MOUNTED LOADER

5, through the slots (10), Figure 10, on the cylinder mounting bracket. Then, follow the balance of the procedure as outlined.

OPERATION

The Ford Rear Mounted Loader is designed primarily for the loading of manure, however, it is a versatile implement capable of performing many time and labor saving jobs on the farm. Like most all other implements, the results obtained in its use are dependent upon the "know how" of the operator.

The loader should be operated at moderate tractor speeds to avoid spillage and loss of control. The tractor engine speed should be between 1200 to 1500 r.p.m. and the tractor operated in reverse, first or second gear. It is preferable to operate the loaders with the Ford Tractor Hydraulic mechanism in Implement Position Control. The fork is raised or lowered by means of the Ford Tractor Hydraulic Touch Control Lever. To trip the fork, pull the manual release rope. As the load is dumped, the fork will automatically return to the latched position.

When using the Ford Rear Mounted Loader to handle material other than manure, a Material Plate, Model 19-41, is available at additional cost, and can be easily installed over the tines of the manure fork. Front tractor wheel weights are not necessary, however, under maximum loadings, they will improve steering.

LUBRICATION

There are no pressure fittings on the Ford Rear Mounted Loader. It is recommended that all critical moving parts such as each pivot point, be lubricated periodically with a good grade of gun grease.

ADJUSTMENTS

The adjustments on the Ford Rear Mounted Loader are easily understood, however, due to the mechanical linkage involved, each adjustment made also has some effect on the other adjustments.

Breakaway Height: Breakaway height is the height at which the fork is raised vertically from the ground before the loader lift arms swing rearward. This height can be raised by lengthening the stop chains (11) and (13), Figure 5, within the limits given in the chart below.

NOTE: As the breakaway height is increased, the maximum dumping clearance is somewhat reduced.

Dumping Clearance: The dumping clearance may be increased by repositioning the loader lift struts (10) and (14), Figure 5, on the drawbar pins in the lowest holes. See (17). As the above adjustment is made, the digging angle of the fork is reduced. If additional dumping clearance is desired, shorten the stop chains (11) and (13), Figure 5, however, this will decrease the fork breakaway height.

Depth: To obtain maximum depth, position the loader lift struts (10) and (14), Figure 5, on the drawbar pins in the top hole of the three holes (17) provided. However, this adjustment will also decrease the loader dumping clearance.

Pitch: The angle of the tines in the fork can be adjusted by changing the position of the latch roller (2), Figure 8. To decrease the angle of the fork, remove the bolt (3) and reattach the roller in one of the two lower holes (4), Figure 8, provided. Adjust the set screw (8) so that the latch assembly (1) touches the bucket latch plate at the points (6). Secure the set screw (8) with the hex jam nut provided.

FORD REAR MOUNTED LOADER ADJUSTMENT CHART

Tractor Model	700 Series 11" Tires	600 Series 11" Tires	800 Series 12" Tires	900 Series 12" Tires	NAA Model 11" Tires	8N Model 10" Tires
No. of Loose Chain Links (See 3, Figure 5)	7 to 12	1 to 6	1 to 6	7 to 12	1 to 6	1 to 6
Breakaway	6¼" to 4'10¾"	9½" to 2'	1¾" to 2'6¾"	9" to 5'	8¼" to 3'9¼"	10" to 2'2"
Lift Height	4'5" to 6'9"	4'7" to 6'9¼"	4'9½" to 6'10¼"	4'7" to 6'7"	5'1" to 6'9¾"	4'10" to 6'8"
Dump Clearance	1'11¼" to 5'1¼"	2" to 5'1½"	2'3" to 5'4"	2'3" to 5"	2'10½" to 5'1"	3'3" to 5'1"
Maximum Digging Depth	9"	3¾"	2½"	7¾"	4"	4"

REAR MOUNTED LOADER

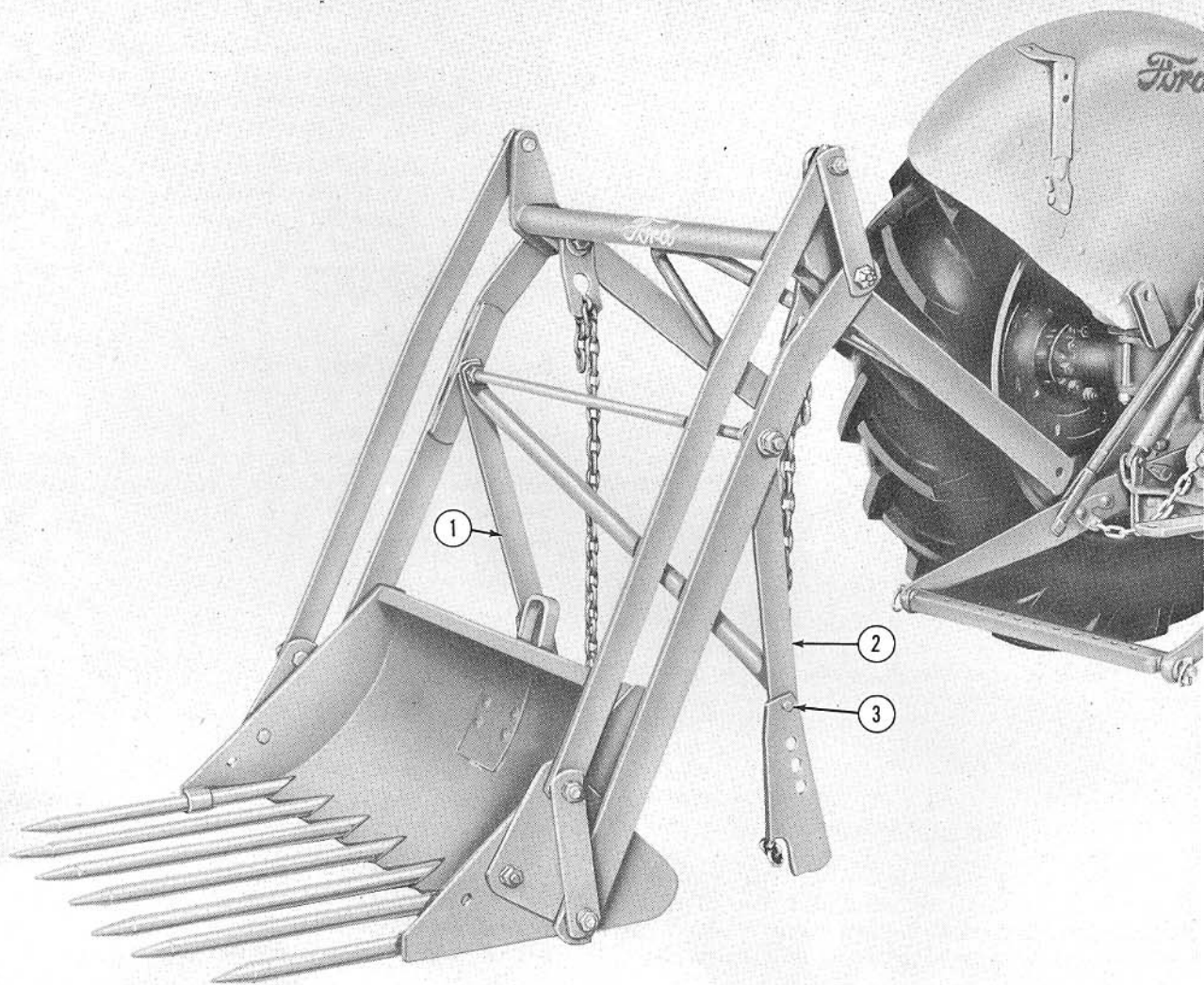


Figure 14
The Ford Rear Mounted Loader Detached

DETACHING PROCEDURE

The basic Ford Rear Mounted Loader can easily be detached from the tractor in a few minutes. The hydraulic booster cylinders and cylinder brace assembly may be left on the tractor without interfering with most implements. To detach the loader, proceed as follows:

- a. Lower the loader with the tractor hydraulic touch control lever until it is at the maximum down position.
- b. Disconnect the two stop chains (11) and (13), Figure 5, from the cylinder brace assembly by removing the two drilled pins (20) and cotter pins.

- c. Remove the attaching pins which hold the upper frame struts (4) and (8), Figure 5, to the fender brackets (5) and (16).
- d. Loosen the nut on the bolt (3), Figure 14, remove the drawbar lynch pins and slip the lift struts (1) and (2) off each end of the drawbar. Replace the lynch pins in the tractor drawbar and brace the loader with the lift struts so that it is in the position shown in Figure 14. Roll the tractor clear of the loader.

NOTE: To reattach the loader to the tractor from this stage, reverse the above procedure.

REAR MOUNTED LOADER

TRANSPORT INFORMATION

When transporting the loader with the fork loaded or empty, the fork should be raised just above the level of the ground. Maximum stability is obtained when the fork is in this position. When using the

tractor with the loader attached, to pull a wagon or manure spreader to the field, raise the loader high enough to give clearance for attaching the tongue to the extended hitch (6), Figure 9.

MAINTENANCE SUGGESTIONS

1. Clean the loader at the end of each day's operation, and cover the tines with a good grade of rust preventive.
2. Lubricate the loader as directed in this manual. See Page 11.
3. Store the loader in a clean, dry place on a wood or concrete floor if possible.
4. Use touch-up paint, as necessary, to prevent rust and maintain the appearance of the implement.
5. Replace all worn or broken parts promptly. Your Ford Tractor and Implement dealer stocks genuine Ford Tractor and Implement repair parts. These parts are manufactured and inspected to provide high quality and accurate fit. Insist on genuine Ford Tractor and Implement repair parts.

SAFETY PRECAUTIONS

Most farm implement accidents can be avoided by following these simple precautions:

1. Do not permit anyone but the operator to ride on the tractor at any time.
2. Do not permit anyone to ride on the implement.
3. Always lower the loader to the ground when not in use.
4. The operator should never leave the tractor seat while the tractor is in motion.
5. Never make adjustments on the tractor or the loader while the tractor is in motion or while the loader is raised.
6. Always shut off the engine when leaving the tractor.
7. Keep the tractor keys where they are not available to children.