

Figure 6 - Dearborn Disc Plow

DEARBORN DISC *Plow*

FIG. 25	PART NO.	NAME AND DESCRIPTION	QTY. REQ.	
			10-80	10-202
Group 2-2—DISC ASSEMBLY (Cont'd)				
18	103125	SPINDLE, Disc	2	2
19	103129	CONE, Bearing, Outer	2	2
20	103145	WASHER, Thrust, 1-21/32" I.D.	2	2
21		NUT, 1-5/8" - 12 Hex. Slotted	2	2
22		COTTER PIN, 1/4" - 2-3/4"	2	2
23	103123	CAP, Dust, Bearing Box (Prior to Dec. 1, 1950)	2	2
23	105644	CAP, Dust, Bearing Box (10 Thrds. per inch (Used after Dec. 1, 1950)	2	2
24	103144	DISC, 26"	2	2
25		BOLT, 7/16" - 20 x 1" Flat Hd. Sq. Nk. } Disc to Spindle	10	10
26		NUT, 7/16" - 20 Hex. }		
27	104189	SCRAPER, Angle Disc (Welded Assembly)	2	
28	103134	EYE BOLT, 5/8" - 11	2	
29		WASHER, 5/8" Flat } Eye Bolt	2	
30		NUT, 5/8" - 11 Hex. }		
--	105445	BRACKET, Disc Scraper.		2
--		BOLT, 5/8" - 11 x 2-1/8" Hex. Hd. }	2	
--		LOCKWASHER, 5/8" }		
--		NUT, 5/8" - 11 Hex. }		
--	105443	BRACKET, Mounting		2
--	105444	SET SCREW, 1/2" - 13 x 1-1/4"	2	
--		SOCKET, Eyebolt.	2	
--	105446	SCRAPER, Angle Disc (Welded Assembly)		2
--	105440	EYEBOLT, 3/4" - 10		2
--		LOCKWASHER, 3/4" }	2	
--		NUT, 3/4" - 10 Hex. }		

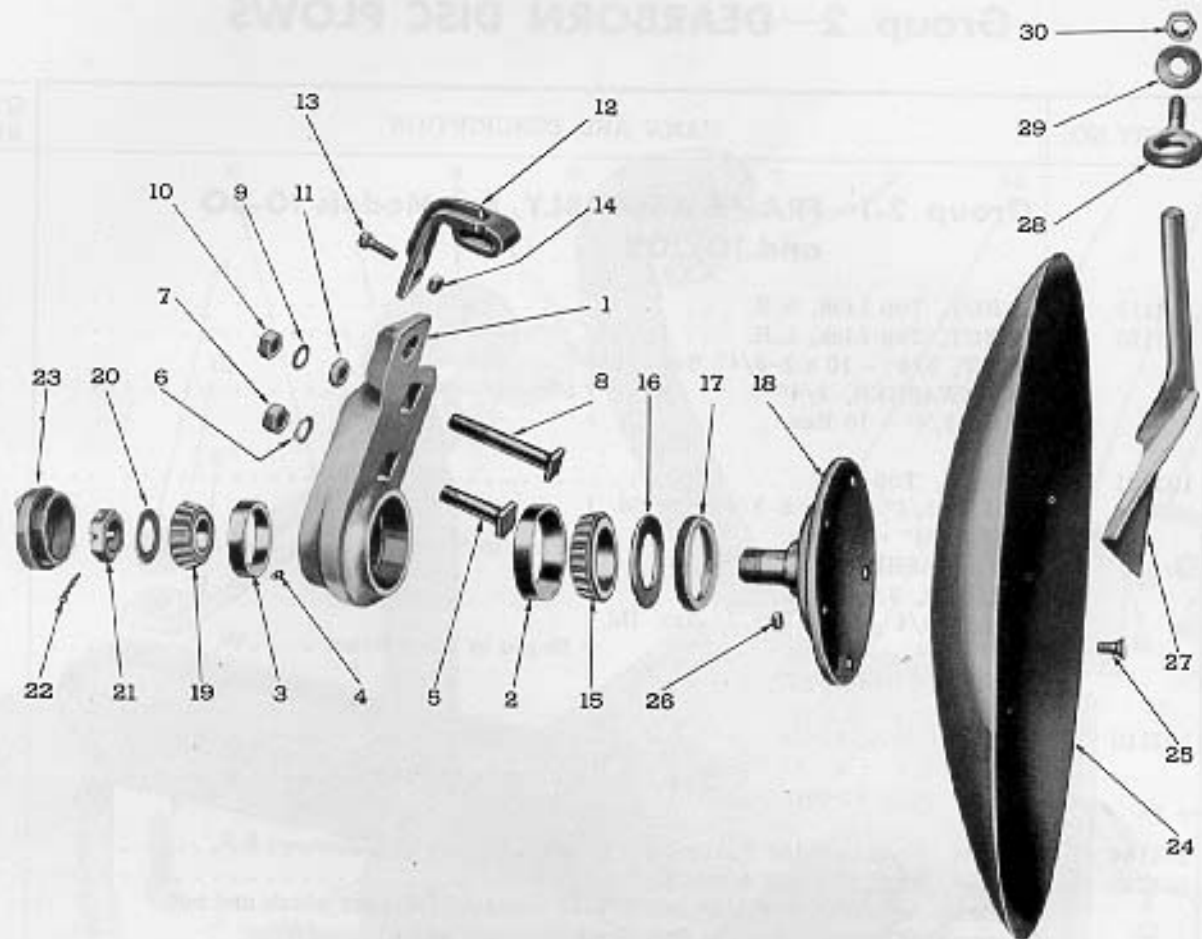
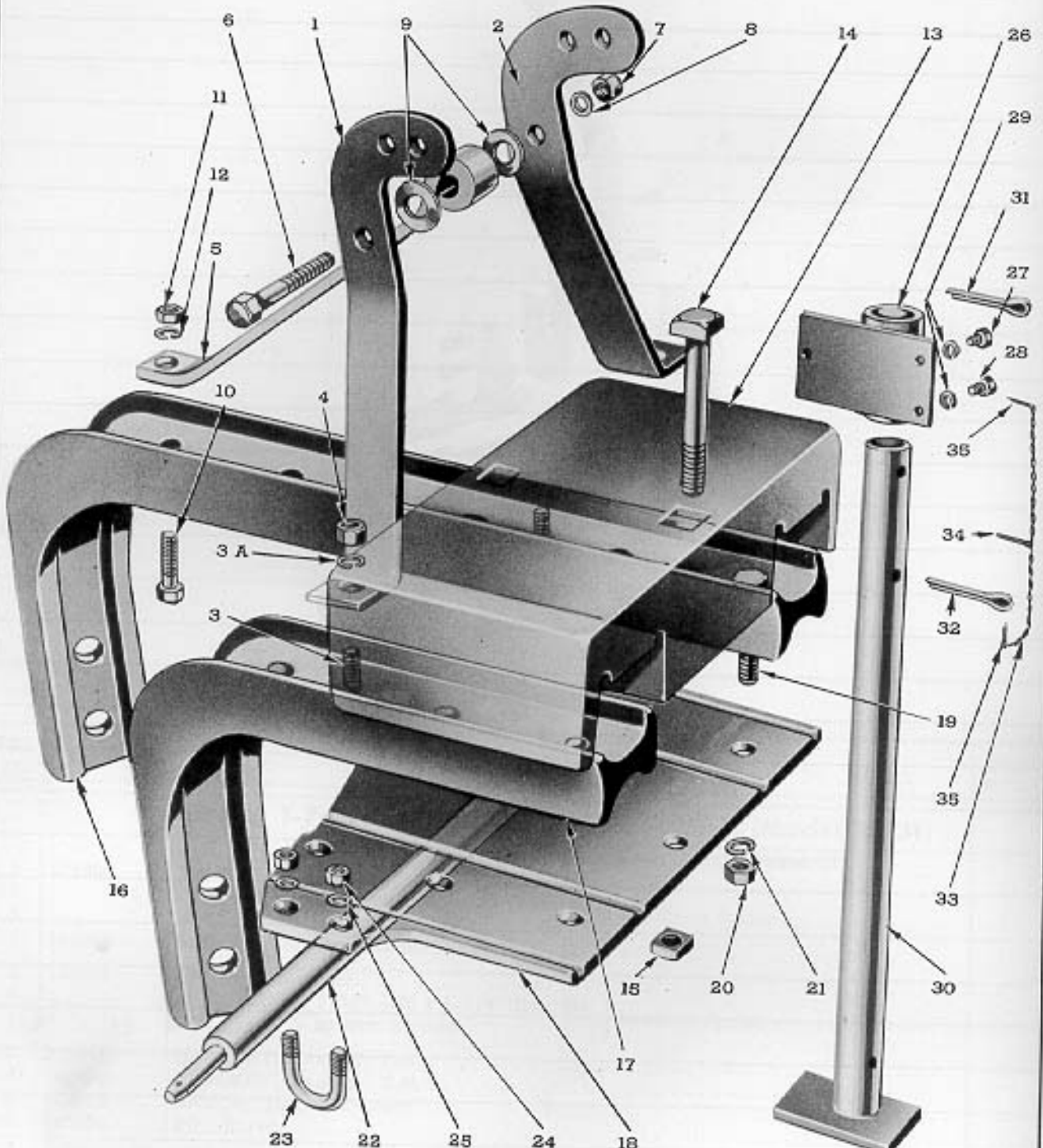


Figure 25 - Disc Assembly

FIG. 25	PART NO.	NAME AND DESCRIPTION	QTY. REQ.	
			10-80	10-202
Group 2-2—DISC ASSEMBLY, For Models 10-80 and 10-202				
1	104187	BOX ASSEMBLY Consists of Box which is not serviced separately plus items listed below:	2	2
2	103130	CUP, Bearing, Inner	2	2
3	103131	CUP, Bearing, Outer	2	2
4		FITTING, Lube 1/8"	2	2
5		BOLT, 1" - 8 x 4" Sq. Hd.	} Box to Beam	3
6		LOCKWASHER, 1"		
7		NUT, 1" - 8 Hex.		
8		BOLT, 1" - 8 x 6" Sq. Hd.	} Rear Box to Beam to Tail Wheel Bracket	1
9		LOCKWASHER, 1"		
10		NUT, 1" - 8 Hex.		
11		NUT, 1" - 8 Hex. - Jam	1	1
12	105431	BRACKET, Disc Scraper	2	2
13		BOLT, 5/8" - 11 x 1-1/2" Hex. Hd.	} Scraper Bracket to Box	2
14		NUT, 5/8" - 11 Hex.		
15	103128	CONE, Bearing, Inner	2	2
16	103127	RETAINER, Grease, 2-21/32" I.D.	2	2
17	103126	SEAL, Felt	2	2

FIG. 24	PART NO.	NAME AND DESCRIPTION	QTY. REQ.
Group 2-1—FRAME ASSEMBLY, For Models 10-80 and 10-202			
1	103119	STRUT, Top Link, R.H.	1
2	103120	STRUT, Top Link, L.H.	1
3		BOLT, 3/4" - 10 x 2-3/4" Hex. Hd. } Strut to Beam	2
3A		LOCKWASHER, 3/4" }	
4		NUT, 3/4" - 10 Hex. }	
5	103121	BRACE, Top Link	1
6		BOLT, 3/4" - 10 x 3-3/4" Hex Hd. } Brace to Struts	2
7		NUT, 3/4" - 10 Hex. }	
8		LOCKWASHER, 3/4" }	
9		WASHER, 3/4" Flat }	
10		BOLT, 3/4" - 10 x 2-3/4" Hex. Hd. } Brace to Long Beam	1
11		NUT, 3/4" - 10 Hex. }	
12		LOCKWASHER, 3/4" }	
13	103110	COUNTERBALANCE	1
14		BOLT, 7/8" - 9 x 6" Sq. Hd. } Counterbalance to Plate	2
15		NUT, 7/8" - 9" Sq. }	
16	104184	BEAM, Long (Welded Assembly)	1
17	104185	BEAM, Short (Welded Assembly)	1
Beam Assemblies 104184 and 104185 consist of Beams which are not serviced separately plus Bolt (Item 3) listed above.			
18	103114	PLATE, Base	1
19		BOLT, 7/8" - 9" x 3-1/2" Hex. Hd. } Beam to Plate	7
20		NUT, 7/8" - 9" Sq. }	
21		LOCKWASHER, 7/8" }	
22	103200	SHAFT, Cross (Welded Assembly)	1
23		U-BOLT, 5/8" - 11" - Cross Shaft	2
24		NUT, 5/8" - 11 Hex. } U-Bolt	4
25		LOCKWASHER, 5/8" }	
26	103111	BRACKET, Plow Stand	1
27		BOLT, 1/2" - 13" x 1 Hex. Hd. } Bracket to Counterbalance	3
28		BOLT, 1/2" - 13" x 1 Hex. Drld. Hd. }	
29		LOCKWASHER, 1/2" }	
30	103112	STAND, Plow	1
31		COTTER PIN, 1/2" x 3 - Stand to Bracket	1
32	103151	PIN, Safety	1
33	103152	CHAIN, Safety Pin	1
34		COTTER PIN, 5/32" x 1-1/2" } Chain	2
35		COTTER PIN, 1/8" x 1-1/2" }	



DEARBORN DISC *Plow*

FIG. 26	PART NO.	NAME AND DESCRIPTION	QTY. REQ.
Group 2-3—TAIL WHEEL ASSEMBLY (Cont'd)			
10	103153	HUB ASSEMBLY, Tail Wheel Consists of Hub which is not serviced separately plus items listed below:	1
11	B-1202	CUP, Bearing, Inner	1
12	103157	CUP, Bearing, Outer	1
13		FITTING, Lube, 1/8" - 27 x 67 ^b	1
14	B-1216	CONE, Bearing, Outer	1
15		NUT, 3/4" - 16 Hex. Slotted } Spindle	1
16		COTTER PIN, 1/8" x 1" }	1
17	103156	CAP, Tail Wheel Hub	1
18	103143	WHEEL, Tail (Furrow Wheel)	1
19		BOLT, 1/2" - 20 x 1" Hex. Hd. } Tail Wheel to Hub	5
20		LOCKWASHER, 1/2" }	5

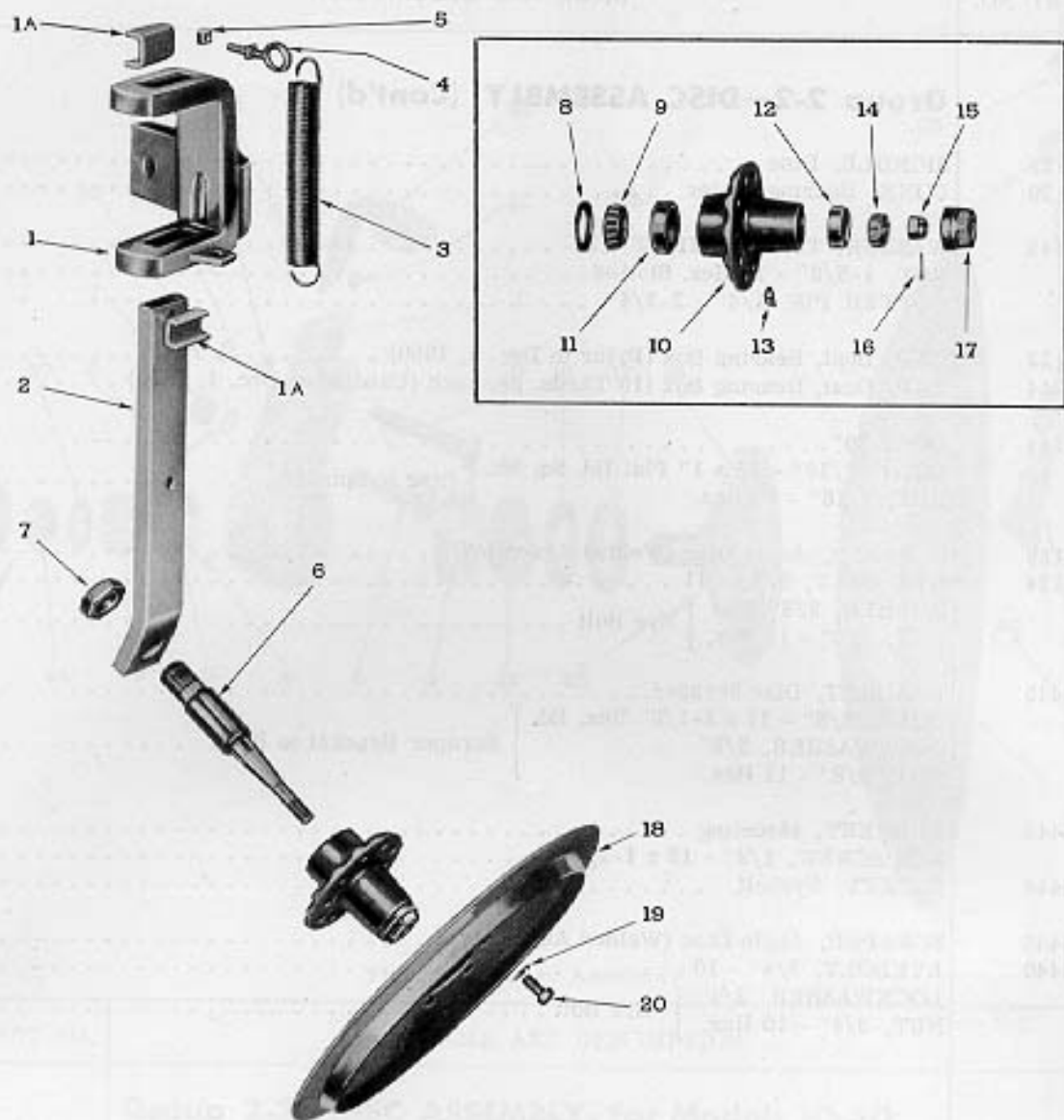


Figure 26 - Tail Wheel Assembly

FIG. 26	PART NO.	NAME AND DESCRIPTION	QTY. REQ.
		Group 2-3—TAIL WHEEL ASSEMBLY, For Models 10-80 and 10-202	
1	105640	BRACKET, Tail Wheel Carrier	1
1A	105430	SPACER.	2
2	104183	BAR, Tail Wheel Slide	1
3	103138	SPRING, Tail Wheel Adjusting	1
4	105415	EYE BOLT, 3/8" - 16 } Spring to Slide Bar	1
5		NUT, 3/8" - 16 Sq. }	1
6	104182	SPINDLE, Tail Wheel.	1
7		NUT, 1-1/2" - 12 Hex. Jam - Tail Wheel Spindle.	1
8	103155	RETAINER, Grease	1
9	B-1201	CONE, Bearing, Inner	1