



PARTS BOOK

FOR D-EO-20 SIDE DELIVERY RAKE



MAY 1952

Harry Ferguson, Inc.

DETROIT . MICHIGAN

COPYRIGHT 1952 HARRY FERGUSON, INC.

www.ntractorclub.com

FOREWORD

This parts book for the D-EO-20 Side Delivery Rake has been arranged for easy reference in ordering and identifying current and prior model service parts.

This arrangement follows the same pattern we have established in previous books. Illustrations and Text appear together.

★ ★ ★

This book supersedes catalog dated October 1949 form 0-3434

★ ★ ★

TABLE of CONTENTS

<u>GROUP</u>	<u>DESCRIPTION</u>	<u>PAGE</u>
2	DRIVE ASSEMBLY, STRUTS AND RELATED PARTS	11 & 13
1	FRAME ASSEMBLY, TOOTH BAR ASSEMBLY AND RELATED PARTS	7 & 9
	NUMERICAL INDEX	4
3	REDUCTION UNIT - P.T.O. SPEED	14
	STANDARD PARTS INDEX	5

INSTRUCTIONS

Wherever more than one part is covered by a reference number, the function of the parts are listed only once, that is after the first part number listed.

EXAMPLE:

7	{	62-001-138	BOLT - Hex Head - Brace to P.T.O. Bracket
		62-14	WASHER - Lock
		62-003	NUT - Hex

**PROTECT YOUR CUSTOMER - INSURE YOUR SERVICE
BUY AND SELL ONLY GENUINE FERGUSON FARM TESTED PARTS**

D-EO-20 NUMERICAL PARTS INDEX

PART NO.	DESCRIPTION	REF.	PAGE	PART NO.	DESCRIPTION	REF.	PAGE
D-EO-96	REDUCTION UNIT		14	D-EO-7823	BRACE - P.T.O.		
D-EO-97	SHEAVE AND BELT KIT		9	D-EO-7823-A	Bracket	6	11
D-EO-98	CONVERSION KIT - Bean Raking	42	13	D-EO-8000	BRACE - P.T.O.		
D-EO-99	SHEAVE AND BELT KIT		9	D-EO-8004	Bracket	6	11
D-EO-780	STAND ASSY.	7	7	D-EO-8005	STRUT ASSEMBLY. . . .	3	11
TO-1139	CAP - Hub	29	9	D-EO-8004	BRACE - Strut - R.H. . .	5	11
D-EO-3402	SPIDER ASSY. - R.H. . .	33	9	D-EO-8005	BRACE - Strut - L.H. . .	5	11
D-EO-3403	SPIDER ASSY. - L.H. . .	33	9	D-EO-8010	CROSS TIE ASSY.	47	13
D-EO-3406	SHAFT - Spider - R.H. . .	40	9	D-EO-8014	BUSHING - Long	43	13
D-EO-3407	SHAFT - Spider - L.H. . .	40	9	D-EO-8015	BUSHING - Short	46	13
D-EO-3420	SHEAVE ASSEMBLY. . . .	43	9	D-EO-8900	HOUSING - Reduction Unit.	15	14
D-EO-3422	WASHER - Heavy.	37	9	D-EO-8900-A	HOUSING - Reduction Unit.	15	14
D-EO-3423	FLINGER	36	9	D-EO-8901	SPACER - Bearing. . . .	16	14
D-EO-3424	NUT - Spider.	34	9	D-EO-8902	SHAFT - Reduction. . . .	12	14
D-EO-3425	WASHER - Flat	22	7	D-EO-8903	EXTENSION - P.T.O. Shaft	3	14
D-EO-3426	NUT - Spider	23	7	D-EO-8904	SPROCKET ASSY.	11	14
D-EO-3427	WASHER - Flat	35	9	D-EO-8907	SPROCKET ASSY.	6	14
D-EO-3428	SHEAVE ASSEMBLY. . . .	43	9	D-EO-8910	SHIELD ASSY. - Reduc- tion Unit.	2	14
D-EO-3431	BAR ASSY. - Tooth	24	7	D-EO-8910-A	SHIELD ASSY. - Reduc- tion Unit.	2	14
D-EO-3431-A	BAR ASSY. - Tooth	24	7	D-EO-8950	SHAFT ASSY. - P.T.O. . .		
D-EO-3435	TOOTH.	25	9	D-EO-8951	YOKE - Front	28	13
D-EO-3435-A	TOOTH.	25	9	D-EO-8952	YOKE AND SLEEVE ASSEMBLY.	28	13
D-EO-3436	CLIP - Tooth.	26	9	D-EO-8958	YOKE AND SHAFT ASSEMBLY.	27	13
D-EO-3436-A	CLIP - Tooth.	26	9	D-EO-8959	YOKE - Rear.	27	13
D-EO-3437	BAR - Stripper	28	9	D-EO-8971-B	SHEAVE ASSY. - Drive. .	25	13
D-EO-3437-A	BAR - Stripper	28	9	D-EO-8980	HOUSING ASSY.	18	11
D-EO-3442	WASHER - Spindle	46	9	D-EO-8982	SHAFT ASSY. - Drive. . .	24	13
D-EO-3446	STRAIGHTENER AND SCREW DRIVER ASSY. . . .	47	9	D-EO-8988	IDLER	38	13
P-6234	RETAINER - Joint	33	13	D-EO-8989	WASHER	38	13
P-6235	WASHER - Cork.	34	13	D-EO-8990	BRACKET ASSY.	41	13
P-6236	CENTER - Cross.	35	13	D-EO-8994	SLEEVE - Idler.	37	13
P-6237	BUSHING - Center Cross.	32	13	D-EO-8995	PIN - Bracket	39	13
P-6238	SNAP RING - Joint	31	13	D-EO-8996	SPRING - Idler	40	13
D-EO-6501	GUARD ASSY. - Belt. . . .	10	11	D-EO-9551	SPACER - Strut	1	11
D-EO-6501-A	GUARD ASSY. - Belt. . . .	10	11	KO-9555	PIN - Link - L.H.	4	11
D-EO-6510	SUPPORT ASSY. Guard.	12	11	S-9555	PIN - Link - R.H.	8	11
D-EO-6513	SPACER - Belt Guard. . . .	9	11	S-9773-H	NUT - Tri-Lock.	28	9
D-EO-6710-A	YOKE ASSEMBLY	16	7	S-9784-F	NUT - Nylock	28	9
D-EO-6710-B	YOKE ASSEMBLY	16	7	S-9842	CONE & ROLLER ASSY. .	32	9
D-EO-6720-A	BRACKET - Caster Wheel.	10	7	S-9843	CUP - Bearing.		
D-EO-6720-B	BRACKET - Caster Wheel.	10	7	S-9862	BEARING - Roller	38	13
D-EO-6721	SPRING - Caster Wheel. . .	14	7	S-9863	BEARING - Ball.	39	9
D-EO-6721-A	SPRING - Caster Wheel. . .	14	7	S-9864	BEARING - Ball.	41	9
D-EO-6722	WASHER - Flat	13	7	S-9877	BEARING - Ball.	13	14
D-EO-6722-A	WASHER - Flat	13	7	S-9914	SEAL - Dust	45	9
D-EO-6730	BUSHING - Wheel.		7	S-9954	CHAIN - Assy.	7	14
D-EO-6731	WASHER - Flat	20	7	S-9955	LINK - Roller	9	14
D-EO-6732	SLEEVE - Caster Wheel . . .	19	7	S-9956	LINK - Connecting	8	14
D-EO-6741	WHEEL ASSEMBLY	18	7	S-10093	U-JOINT SERVICE KIT. . .	28	13
D-EO-7800	FRAME ASSEMBLY	9	7	S-10098	BUSHING - Rubber.	21	7
D-EO-7810-B	ARCH ASSY. - R.H.	1	7	S-10168	RING - Snap	38	9
D-EO-7812	ARCH ASSY. - L.H.	2	7	S-10169	RING - Snap		
D-EO-7818	BRACE - Arch - R.H.	4	7	S-10202-A	PIN - Internal Cotter . .	5	7
D-EO-7819	BRACE - Arch - L.H.	4	7	S-10211-E	PIN - Clevis	5	7
D-EO-7821	SUPPORT - Frame.	3	7	S-10401	U-BOLT.	13	11
D-EO-7821-A	SUPPORT - Frame.	3	7	S-10500	V-BELT.	27	13
D-EO-7822	BRACKET - P.T.O.	20	11	S-10501	V-BELT.	27	13
				S-10502	V-BELT.	27	13

STANDARD PARTS INDEX

PART NO.	DESCRIPTION	PAGE	PART NO.	DESCRIPTION	PAGE
25-001-75	BOLT - Hex Head	13	25-14	WASHER - Lock	13
31-001-112	BOLT - Hex Head	11	31-14	WASHER - Lock	9
31-001-212	BOLT - Hex Head	14	44-14	WASHER - Lock	7
31-001-238	BOLT - Hex Head	13	62-14	WASHER - Lock	7
31-001-300	BOLT - Hex Head	9			
44-001-100	BOLT - Hex Head	11	31-104	WASHER - Flat	11
44-001-112	BOLT - Hex Head	11			
44-001-138	BOLT - Hex Head	11	62-104	WASHER - Flat	7
44-001-300	BOLT - Hex Head	13	75-104	WASHER - Flat	9
44-001-775	BOLT - Hex Head	7	88-104	WASHER - Flat	11
62-001-125	BOLT - Hex Head	7	100-104	WASHER - Flat	7
62-001-138	BOLT - Hex Head	11	125-104	WASHER - Flat	7
62-001-150	BOLT - Hex Head	7			
62-001-200	BOLT - Hex Head	13	31-003	NUT - Hex	9
62-001-225	BOLT - Hex Head	13	44-003	NUT - Hex	7
62-001-238	BOLT - Hex Head	7	62-003	NUT - Hex	7
62-001-350	BOLT - Hex Head	11			
			62-023	NUT - Castle	7
31-011-250	BOLT - Carriage	9	75-023	NUT - Castle	9
			25-125-62	PIN - Groove	14
44-101-50	SCREW - Cap	14	25-125-200	PIN - Groove	13
09-05-100	PIN - Cotter	7	88-1003	NUT - Hex Jam	14
12-05-100	PIN - Cotter	13			
16-05-150	PIN - Cotter	7			
19-05-150	PIN - Cotter	7	25-007	FITTING - Lubrication	7
			12-107	FITTING - Lubrication	7
19-09-88	KEY - Woodruff	13	12-3107	FITTING - Lubrication	13

NOTES

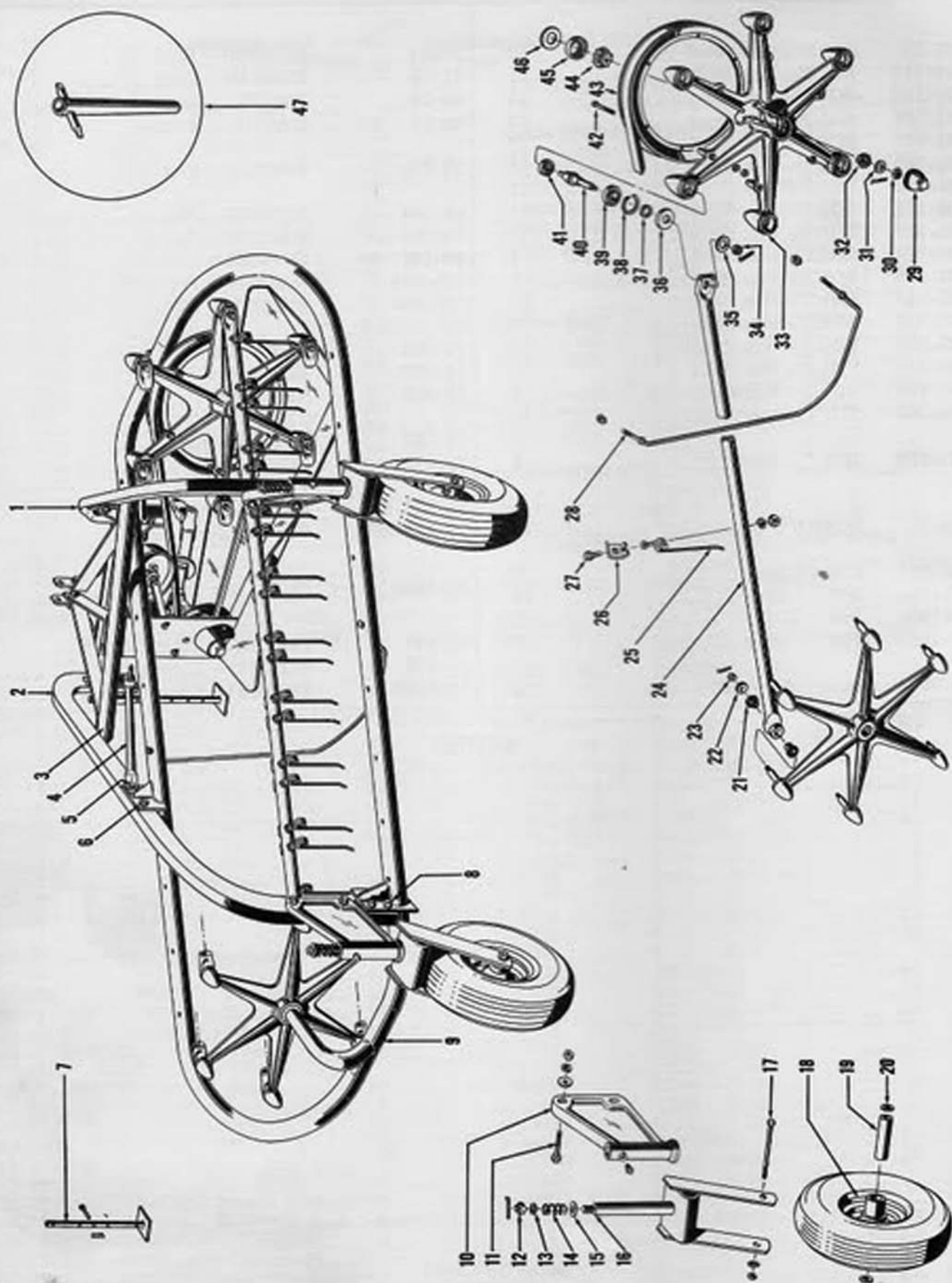


FIG. 1

D-EO-20 PARTS LIST

REF. NO.	PART NO.	DESCRIPTION	QUAN. REQ'D
FIG.1 FRAME ASSEMBLY, TOOTH BAR ASSEMBLY AND RELATED PARTS			
1	D-EO-7810-B	ARCH ASSEMBLY - R.H.	1
2	D-EO-7812	ARCH ASSEMBLY - L.H.	1
3	{ D-EO-7821	SUPPORT - Frame - Prior to No. 3300	1
	{ D-EO-7821-A	SUPPORT - Frame - No. 3301 and Future	1
4	{ D-EO-7818	BRACE - Arch - R.H.	1
	{ D-EO-7819	BRACE - Arch - L.H.	1
5	{ 62-001-150	BOLT - Hex Head - R.H. Brace to Arch.	1
	{ 62-14	WASHER - Lock.	1
	{ 62-003	NUT - Hex	1
6	{ 62-001-125	BOLT - Hex Head - Frame Assembly to Arch.	3
	{ 62-14	WASHER - Lock	3
	{ 62-003	NUT - Hex	3
7	{ D-EO-780	STAND ASSEMBLY	1
	{ 19-05-150	PIN - Cotter - Stand Assembly.	1
	{ S-10211-E	PIN - Clevis - Stand Assembly to Arch	1
	{ S-10202-A	PIN - Internal Cotter Hair.	1
8	{ 62-001-125	BOLT - Hex Head - Arch to Frame	4
	{ 62-14	WASHER - Lock.	4
	{ 62-003	NUT - Hex	4
9	D-EO-7800	FRAME ASSEMBLY	1
10	{ D-EO-6720-A	BRACKET - Wheel - Prior to No. 13300	2
	{ D-EO-6720-B	BRACKET - Wheel - No. 13301 and Future	2
	{ 12-107	FITTING - Grease	2
11	{ 62-001-238	BOLT - Hex Head - Wheel Bracket to Arches	4
	{ 62-104	WASHER - Flat	4
	{ 62-14	WASHER - Lock	4
	{ 62-003	NUT - Hex	4
12	{ 62-023	NUT - Castle - Yoke Assembly to Wheel Bracket.	2
	{ 16-05-150	PIN - Cotter	2
13	{ D-EO-6722	WASHER - Flat - Prior to No. 13300.	2
	{ D-EO-6722-A	WASHER - Flat - No. 13301 and Future	2
14	{ D-EO-6721	SPRING - Prior to No. 13300	2
	{ D-EO-6721-A	SPRING - No. 13301 and Future	2
15	{ 100-104	WASHER - Flat - Prior to No. 13300.	2
	{ 125-104	WASHER - Flat - No. 13301 and Future	2
16	{ D-EO-6710-A	YOKE ASSEMBLY - Wheel - Prior to No. 13300	2
	{ D-EO-6710-B	YOKE ASSEMBLY - Wheel - No. 13301 and Future.	2
17	{ 44-001-775	BOLT - Hex Head - Wheel Assembly to Yoke Assembly	2
	{ 44-14	WASHER - Lock.	2
	{ 44-003	NUT - Hex	2
18	D-EO-6741	WHEEL ASSEMBLY	2
	D-EO-6730	Composed of Wheel not serviced and	
	25-007	BUSHING - Wheel - Shown in Position	2
		FITTING - Lubrication	2
19	D-EO-6732	SLEEVE - Wheel	2
20	D-EO-6731	WASHER - Flat	4
21	S-10098	BUSHING - Rubber.	12
22	D-EO-3425	WASHER - Flat	6
23	{ D-EO-3426	NUT - Drilled - Bar Assembly to Spider Assembly L.H.	6
	{ 09-05-100	PIN - Cotter	6
24	{ D-EO-3431	BAR - Tooth - Prior to No. 14550.	6
	{ D-EO-3431-A	BAR - Tooth - No. 14551 and Future	6

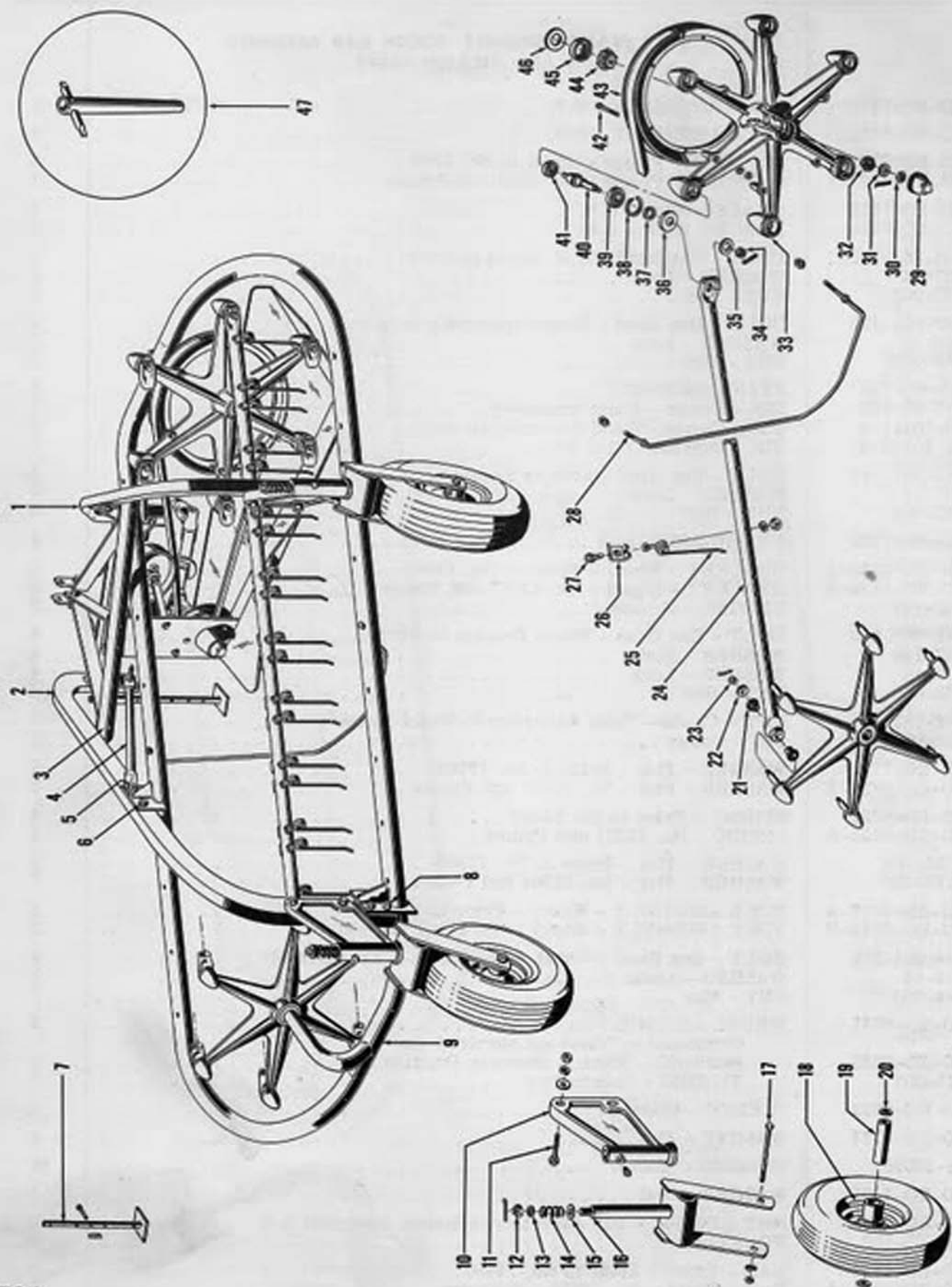


FIG. 1

D-EO-20 PARTS LIST

REF. NO.	PART NO.	DESCRIPTION	QUAN. REQ'D
FIG.1 FRAME ASSEMBLY, TOOTH BAR ASSEMBLY AND RELATED PARTS - Continued			
25	D-EO-3435	TOOTH - Gray - Prior to No. 14550	108
	D-EO-3435-A	TOOTH - Blue - No. 14551 and Future	108
26	D-EO-3436	CLIP - Tooth - Gray - Prior to No. 14550	108
	D-EO-3436-A	CLIP - Tooth - Blue - No. 14551 and Future	108
27	31-011-250	BOLT - Carriage - Tooth and Clip to Bar	108
	31-14	WASHER - Lock	108
	31-003	NUT - Hex	108
28	D-EO-3437	BAR - Stripper - Prior to No. 16890	9
	D-EO-3437-A	BAR - Stripper - No. 16891 and Future	9
	S-9773-H	NUT - Tri-Lock Type - Alternate of S-9784-F	18
	S-9784-F	NUT - Nylok Self Locking Type - Alternate of S-9773-H	18
29	TO-1139	CAP - Hub	2
30	75-023	NUT - Castle	2
	16-05-150	PIN - Cotter	2
31	75-104	WASHER - Flat	2
32	S-9842	CONE AND ROLLER ASSEMBLY - Bearing Outer	2
33	D-EO-3403	SPIDER ASSEMBLY - L.H.	1
	D-EO-3402	SPIDER ASSEMBLY - R.H.	1
	S-9843	Composed of Spider not serviced and CUP - Bearing - Outer - Shown in Position	1
	S-10169	RING - Snap - Shown in Position	1
	S-9861	CUP - Bearing - Inner - Shown in Position	1
34	D-EO-3424	NUT - Drilled - Bar Assembly to Spider Assembly - R.H.	6
	16-05-150	PIN - Cotter	6
35	D-EO-3427	WASHER - Flat	6
36	D-EO-3423	FLINGER - Spider	12
37	D-EO-3422	WASHER - Heavy	12
38	S-10168	RING - Snap	12
39	S-9863	BEARING - Ball - Outer	12
40	D-EO-3407	SHAFT - L.H. - Spider to Tooth Bar	6
	D-EO-3406	SHAFT - R.H. - Spider to Tooth Bar	6
41	S-9864	BEARING - Ball - Inner	12
42	31-001-300	BOLT - Hex Head - Sheave Assembly to Spider	6
	31-14	WASHER - Lock	6
	31-003	NUT - Hex	6
43	D-EO-3420	SHEAVE ASSEMBLY - Driven	1
	D-EO-3428	SHEAVE ASSEMBLY - Driven - For Use w/D-EO-97 and D-EO-98	1
44	S-9860	CONE AND ROLLER ASSEMBLY - Bearing Inner	1
45	S-9914	SEAL - Dust	1
46	D-EO-3442	WASHER - Spindle	1
47	D-EO-3446	TOOTH STRAIGHTENER AND SCREW DRIVER ASSEMBLY	1
	D-EO-97	KIT - 22" Sheave and 108-1/2" Belt Composed of S-10500 V-Belt and D-EO-3428 Sheave. This Kit used on Rakes Serial No. 3301 and Future when used on 9N-2N Tractors.	1
	D-EO-99	KIT - 22" Sheave and 115-3/4" Belt Composed of S-10502 V-Belt and D-EO-3428 Sheave. This Kit used on Rakes Serial No. 1000 to 3300 when used on 9N-2N Tractors.	1



42

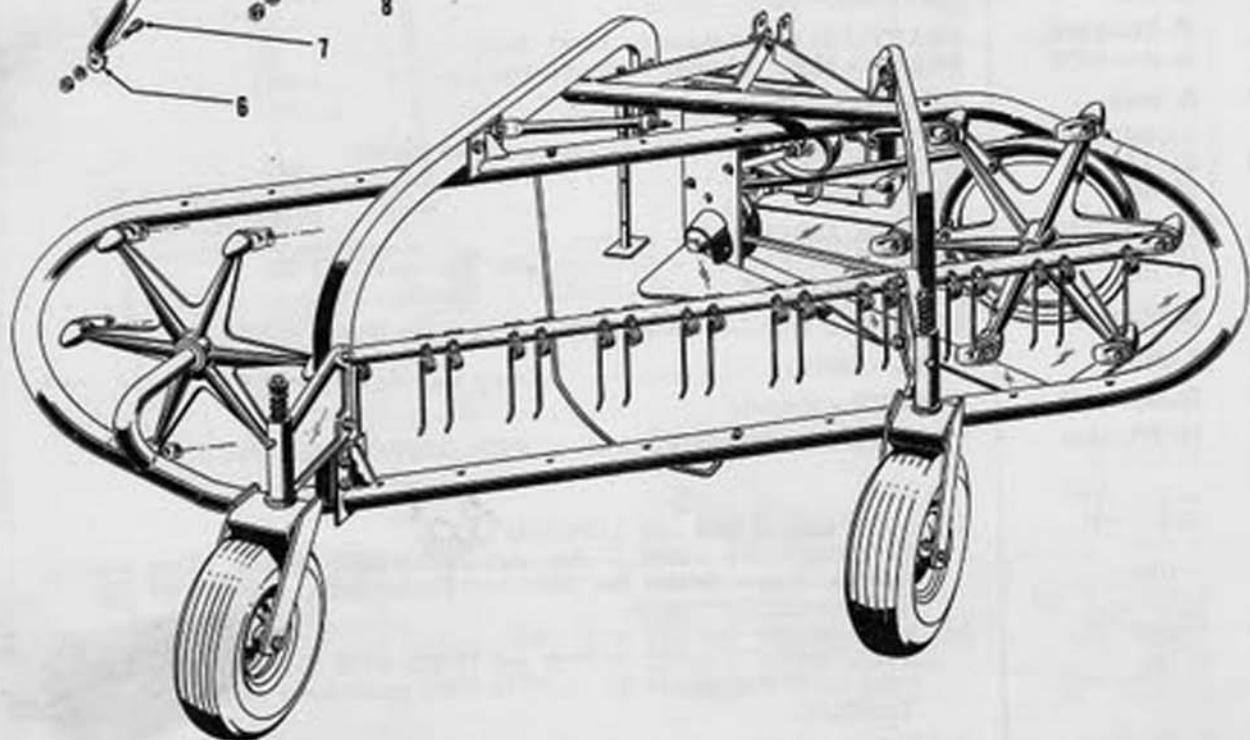
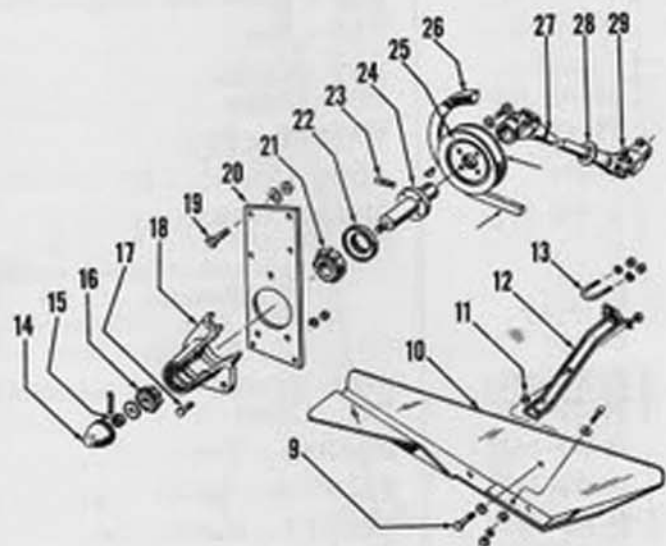
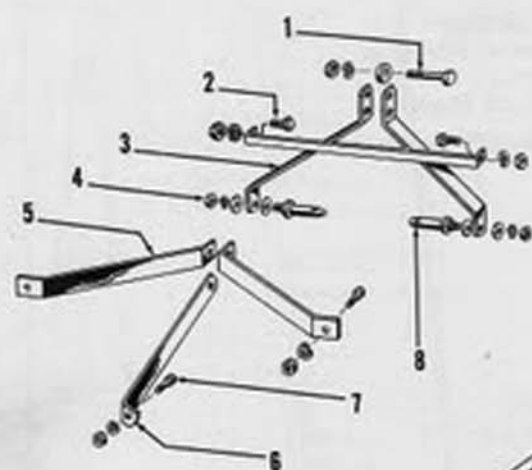
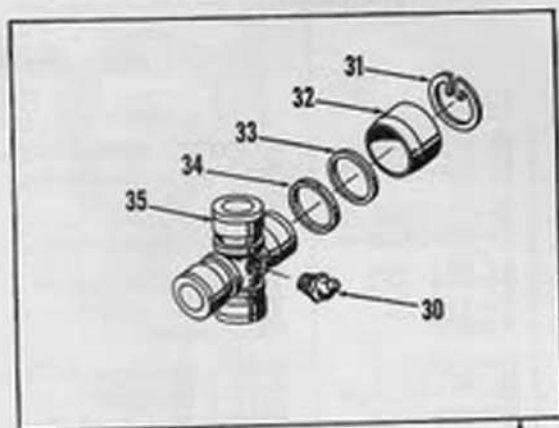
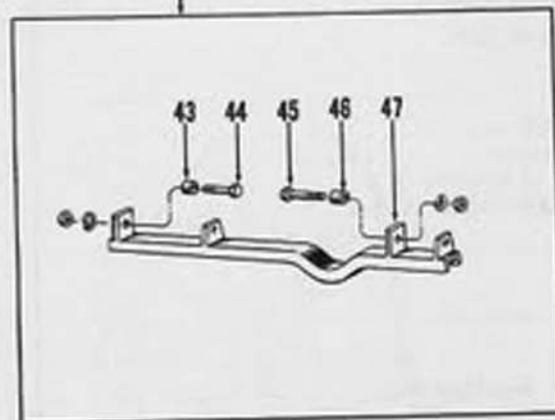


FIG.2

D-EO-20 PARTS LIST

REF. NO.	PART NO.	DESCRIPTION	QUAN. REQ'D
FIG.2 DRIVE ASSEMBLY, STRUTS AND RELATED PARTS			
1	62-001-350	BOLT - Hex Hd. - Strut Assy. to Braces to Stopper	1
	D-EO-9551	SPACER - Strut	1
	62-14	WASHER - Lock	1
	62-003	NUT - Hex	1
2	44-001-100	BOLT - Hex Hd. - Strut to Frame Support	2
	44-14	WASHER - Lock	2
	44-003	NUT - Hex	2
3	D-EO-8000	STRUT ASSEMBLY	1
4	KO-9555	PIN - Link - L.H.	1
	88-104	WASHER - Flat	1
	62-104	WASHER - Flat	1
	62-14	WASHER - Lock	1
	62-003	NUT - Hex	1
5	D-EO-8005	BRACE - Strut - L.H.	1
	D-EO-8004	BRACE - Strut - R.H.	1
	44-001-112	BOLT - Hex Hd. - Struts to Frame Support	2
	44-14	WASHER - Lock	2
6	D-EO-7823	BRACE - P.T.O. Bracket - Prior to No. 3300	1
	D-EO-7823-A	BRACE - P.T.O. Bracket - No. 3301 and Future	1
7	62-001-138	BOLT - Hex Hd. - Brace to P.T.O. Bracket	1
	62-14	WASHER - Lock	1
	62-003	NUT - Hex	1
8	S-9555	PIN - Link - R.H.	1
	88-104	WASHER - Flat	1
	62-104	WASHER - Flat	1
	62-14	WASHER - Lock	1
	62-003	NUT - Hex	1
9	31-001-112	BOLT - Hex Hd. - Support Assy. to Belt Guard	2
	31-104	WASHER - Flat	2
	31-14	WASHER - Lock	2
	31-003	NUT - Hex	2
10	D-EO-6501	GUARD ASSEMBLY - Belt - Prior to No. 3300	1
	D-EO-6501-A	GUARD ASSEMBLY - Belt - No. 3301 and Future	1
11	D-EO-6513	SPACER - Support Assy. to Belt Guard	1
12	D-EO-6510	SUPPORT ASSEMBLY - Guard	1
13	S-10401	U-BOLT - Support Assy. to Frame	1
	44-14	WASHER - Lock	2
	44-003	NUT - Hex	2
14	TO-1139	CAP - Hub	1
15	75-023	NUT - Hex - Slotted - Shaft Assy. to Housing Assy.	1
	16-05-150	PIN - Cotter	1
	75-104	WASHER - Flat	1
16	S-9842	CONE AND ROLLER ASSY. - Bearing Inner	1
17	44-001-138	BOLT - Hex Hd. - P.T.O. Housing to Bracket	3
	44-14	WASHER - Lock	3
	44-003	NUT - Hex	3
18	D-EO-8980	HOUSING ASSEMBLY	1
		Composed of Housing not Serviced and	
	S-9843	CUP - Bearing - Outer - Shown in Position	1
	S-10169	RING - Snap - Shown in Position	1
19	S-9861	CUP - Bearing - Inner - Shown in Position	1
	62-001-138	BOLT - Hex Hd. - P.T.O. Bracket to Frame Support	2
	62-14	WASHER - Lock	2
20	62-003	NUT - Hex	2
	D-EO-7822	BRACKET - Power Take-Off	1

D-EO-20 PARTS LIST



42

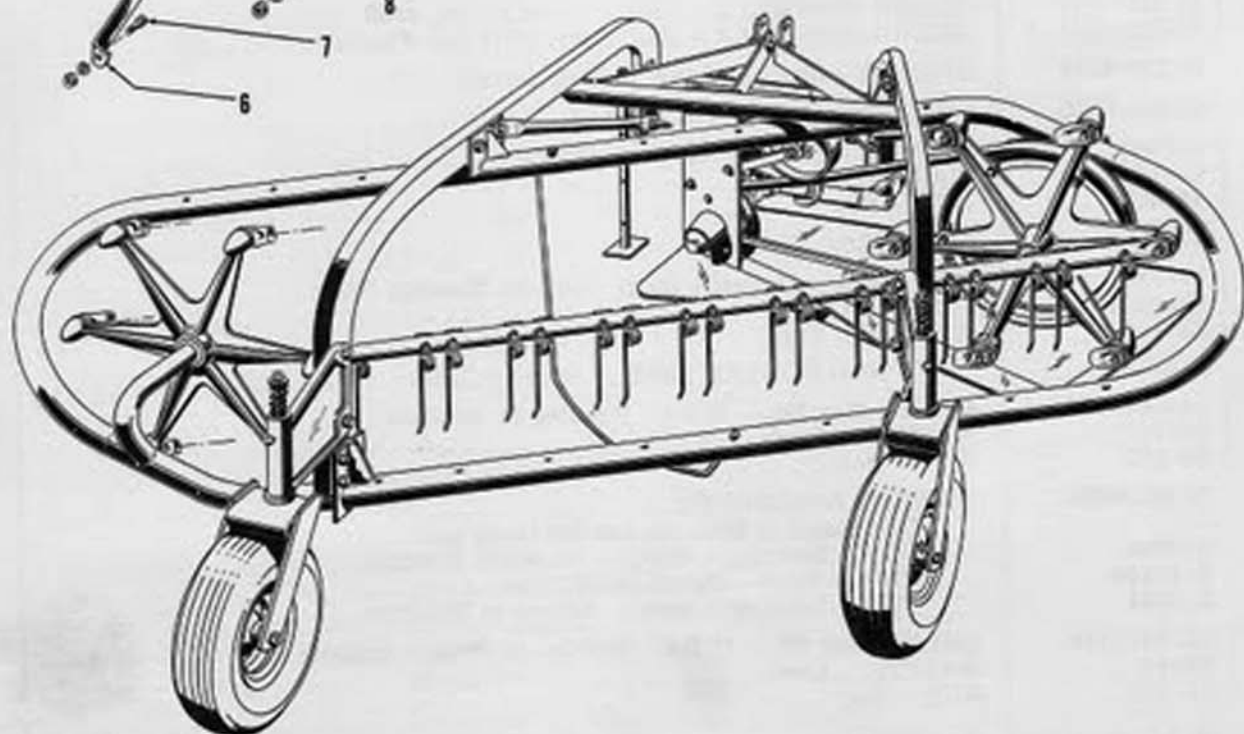
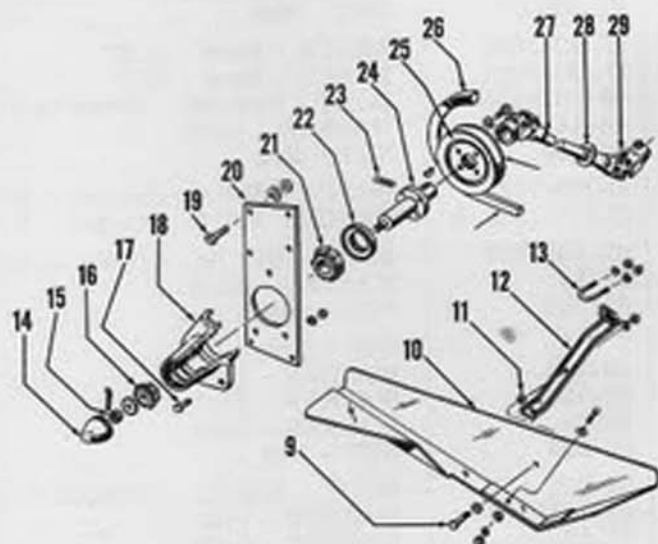
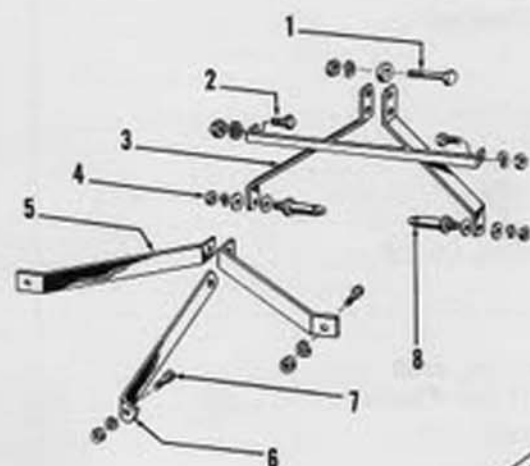
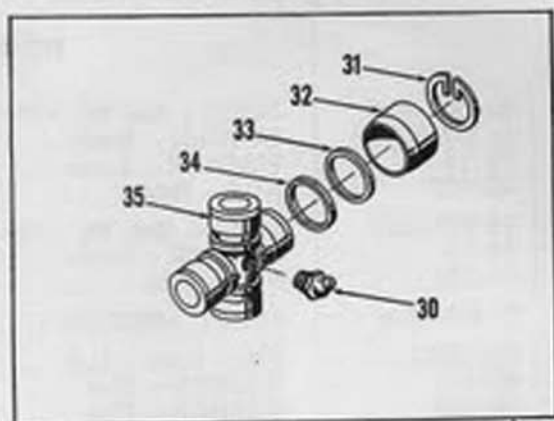
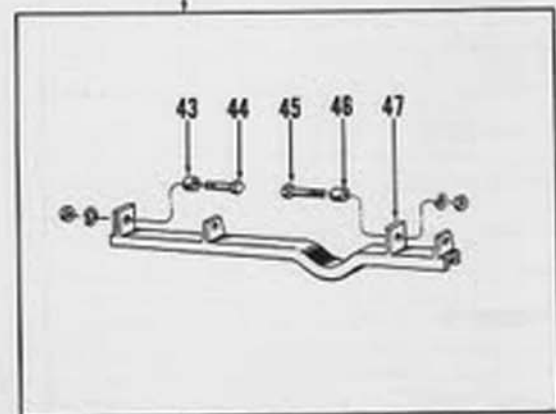


FIG.2

D-EO-20 PARTS LIST

REF. NO.	PART NO.	DESCRIPTION	QUAN. REQ'D
FIG.2 DRIVE ASSEMBLY, STRUTS AND RELATED PARTS - Continued			
21	S-9860	CONE AND ROLLER ASSEMBLY - Bearing - Outer	1
22	S-9914	SEAL - Dust	1
23	25-125-200	PIN - Groove	1
24	{ D-EO-8982 19-09-88	SHAFT - Drive	1
		KEY - Woodruff	1
25	{ D-EO-8971-B 25-001-75 25-14	SHEAVE - Drive	1
		BOLT - Hex Hd. - Sheave to Shaft Assembly	4
		WASHER - Lock	4
26	{ S-10500 S-10501 S-10502 D-EO-8950	V-BELT - Prior to No. 3300 - and also used in D-EO-97	1
		V-BELT - No. 3301 and Future.	1
		V-BELT - For use in D-EO-99 only	1
		SHAFT ASSEMBLY - Power Take-Off	1
27	{ D-EO-8958 D-EO-8959	Composed of items 27 and 28 YOKE AND SHAFT ASSEMBLY	1
		YOKE - Rear.	1
28	{ D-EO-8952 D-EO-8951	YOKE AND SLEEVE ASSEMBLY	1
		YOKE - Front	1
29	31-001-238 31-14 31-003	BOLT - Hex Hd. - Front Yoke to P.T.O. - Shaft - Shown in Position	1
		WASHER - Lock.	1
		NUT - Hex	1
29	S-10093	KIT - Universal Joint Service	2
		Composed of items 30 thru 35	
30	12-3107	FITTING - Lubrication	1
31	P-6238	RING - Snap	4
32	P-6237	BUSHING - Center Cross	4
33	P-6234	RETAINER - Joint	4
34	P-6235	WASHER - Cork.	4
35	P-6236	CENTER - Cross	1
36	{ 44-001-300 44-14 44-003	BOLT - Hex Hd. - Idler to Bracket	1
		WASHER - Lock.	1
		NUT - Hex	1
37	D-EO-8994	SLEEVE - Idler	1
38	{ D-EO-8988 D-EO-8989 S-9862 12-107	IDLER	1
		WASHER - Flat - Shown in Position	1
		BEARING - Roller - Shown in Position	1
		FITTING - Grease	1
39	{ D-EO-9885 12-05-100 62-104 62-003	PIN - Bracket	1
		PIN - Cotter	1
		WASHER - Flat	1
		NUT - Hex	1
40	D-EO-8996	SPRING - Idler	1
41	D-EO-8990	BRACKET ASSEMBLY - Idler	1
42	D-EO-98	CONVERSION KIT - Bean Raking	1
		Composed of items 43 thru 47	
43	D-EO-8014	BUSHING - Long - Cross Tie	1
44	{ 62-001-200 62-14 62-003	BOLT - Hex Hd. - Cross Tie to R.H. Arch	1
		WASHER - Lock.	1
		NUT - Hex	1
45	{ 62-001-225 62-14 62-003	BOLT - Hex Hd. - Cross Tie to L.H. Arch	1
		WASHER - Lock	1
		NUT - Hex	1
46	D-EO-8015	BUSHING - Short - Cross Tie	1
47	D-EO-8010	CROSS TIE ASSEMBLY	1

D-EO-20 PARTS LIST

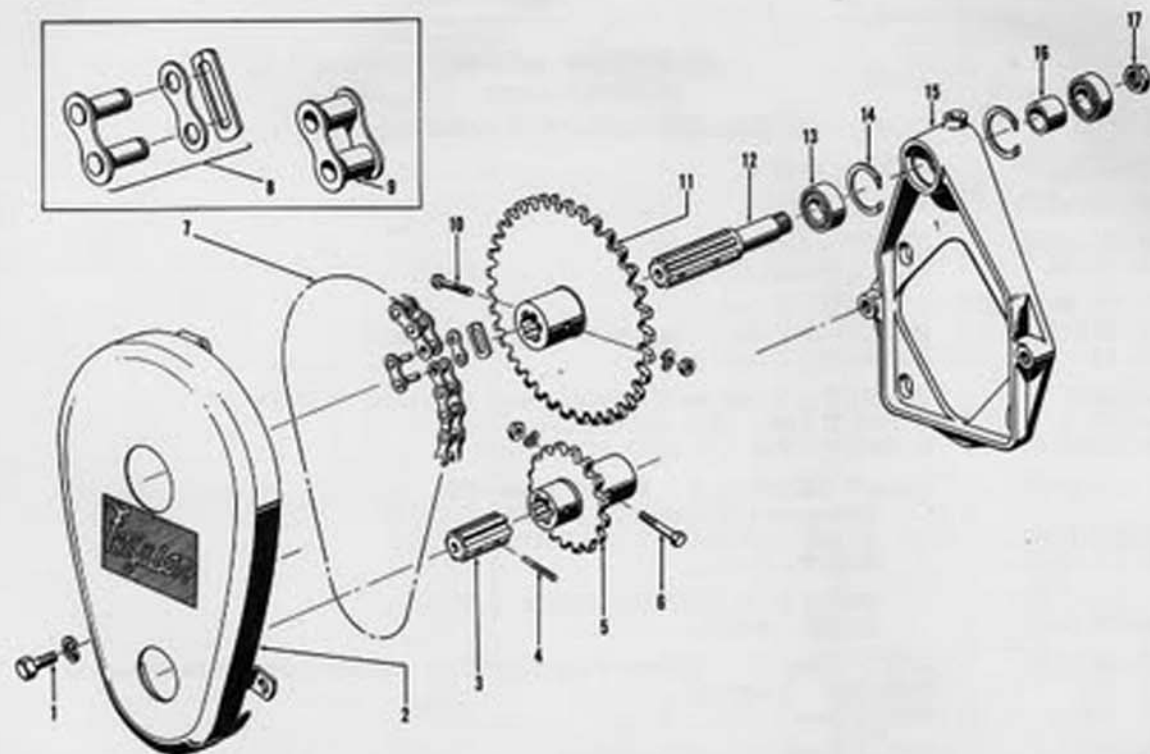


FIG.3

REF. NO.	PART NO.	DESCRIPTION	QUAN. REQ'D
FIG.3 REDUCTION UNIT - P.T.O. SPEED			
	D-EO-96	REDUCTION UNIT - P.T.O. Speed	1
		Composed of items 1 thru 17	
1	{ 44-101-50	SCREW - Cap - Shield to Housing	3
	{ 44-14	WASHER - Lock.	3
2	{ D-EO-8910	SHIELD ASSEMBLY - Use w/D-EO-8900	1
	{ D-EO-8910-A	SHIELD ASSEMBLY - Use w/D-EO-8900-A	1
3	D-EO-8903	EXTENSION	1
4	25-125-62	PIN - Groove.	1
5	D-EO-8907	GEAR - 18 Teeth	1
6	{ 31-001-212	BOLT - Hex Head - Extension to Gear	1
	{ 31-14	WASHER - Lock.	1
	{ 31-003	NUT - Hex	1
7	S-9954	CHAIN ASSEMBLY.	1
8	S-9956	LINK - Connecting	1
9	S-9955	LINK - Roller	24
10	{ 31-001-212	BOLT - Hex Head - Shaft to Sprocket	1
	{ 31-14	WASHER - Lock	1
	{ 31-003	NUT - Hex	1
11	D-EO-8904	SPROCKET - 36 Teeth	1
12	D-EO-8902	SHAFT.	1
13	S-9877	BEARING - Ball.	2
14	S-10168	RING - Snap	2
15	{ D-EO-8900	HOUSING - Use w/D-EO-8910	1
	{ D-EO-8900-A	HOUSING - Use w/D-EO-8910-A	1
16	D-EO-8901	SPACER - Ball Bearing.	1
17	88-1003	NUT - Hex Jam	1



FERGUSON TRACTOR
and FERGUSON SYSTEM IMPLEMENTS

Form 0-3434-A

LITHO IN U.S.A.