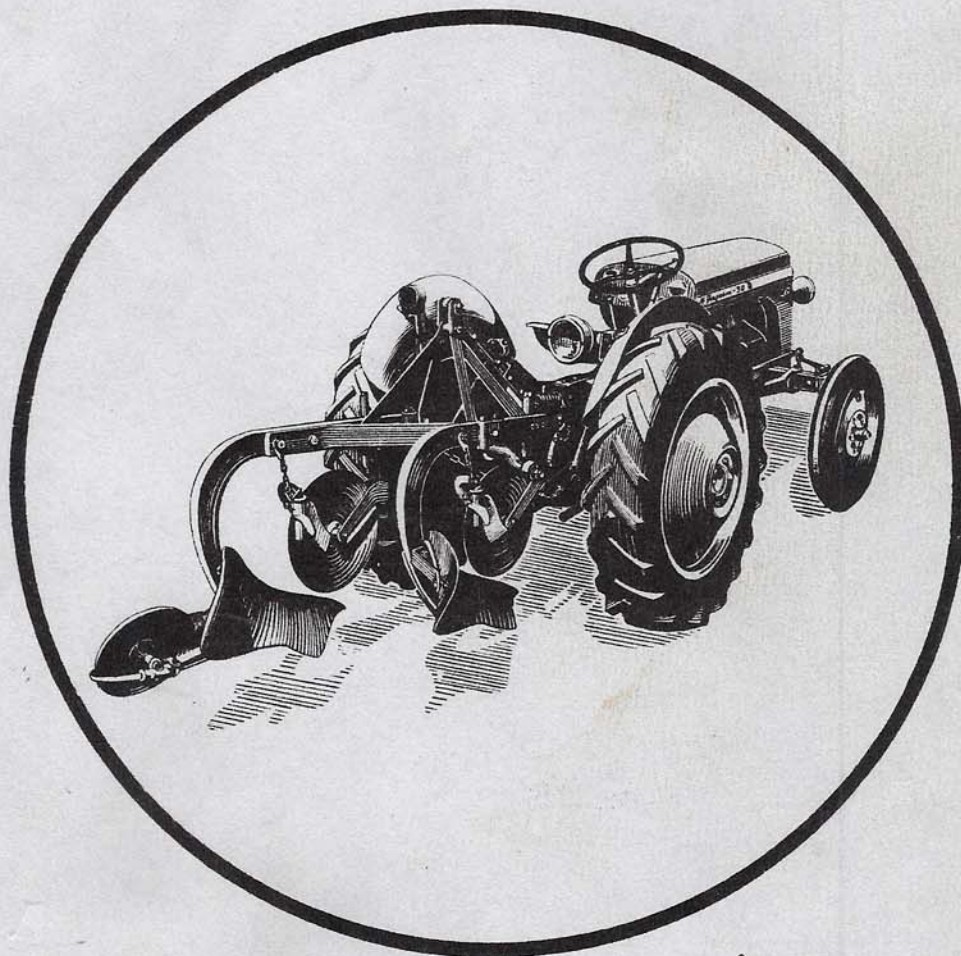




PARTS BOOK

FOR FERGUSON TRACTORS



TO-20

TO-30

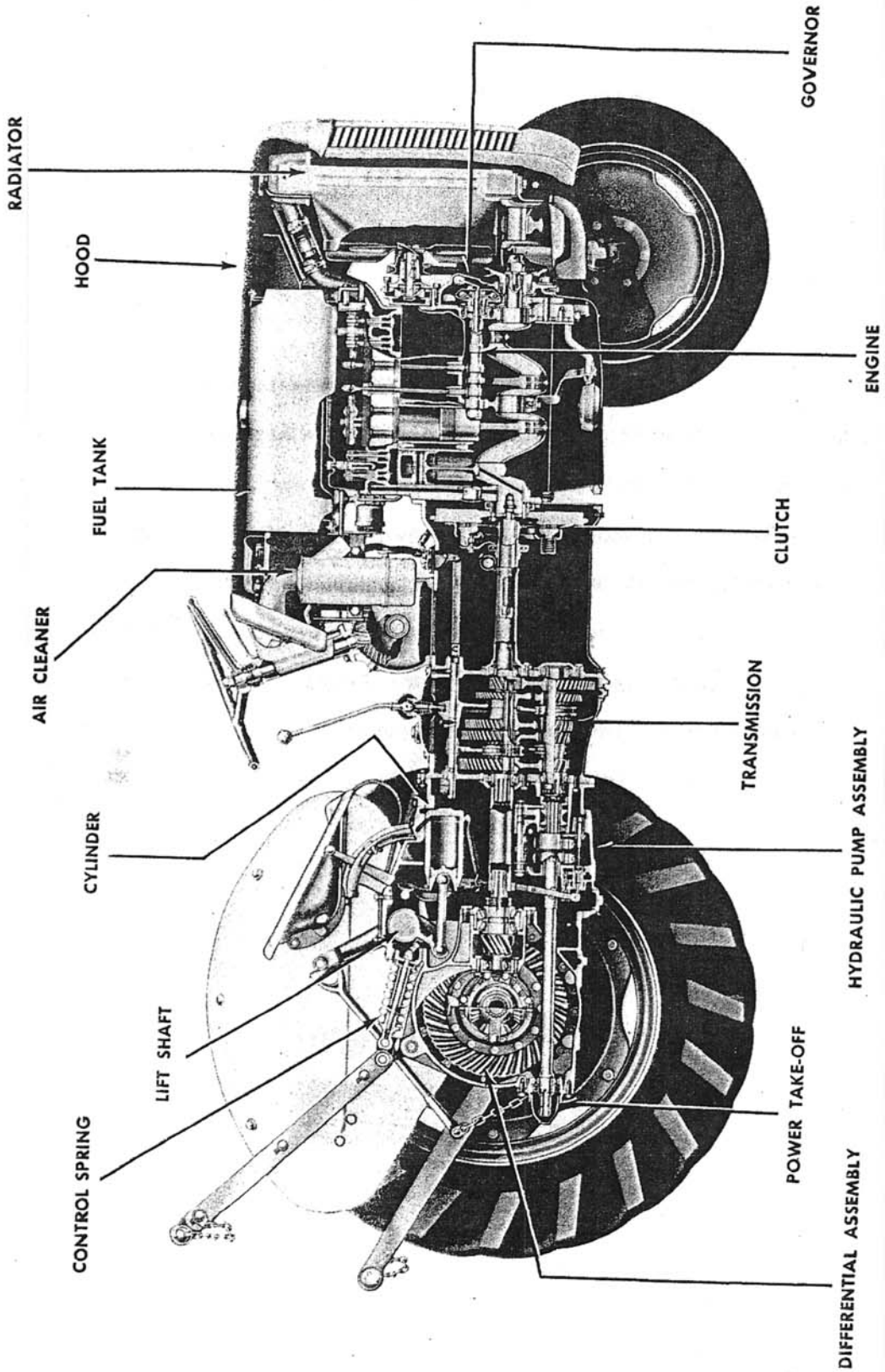
TE-20

**Harry Ferguson, Inc.
Detroit, Michigan**

FOREWORD

Only the highest quality of materials are used in the manufacture of Ferguson Tractors and Ferguson Implements which have been designed and built for maximum performance and longest possible life. These same high standards of quality and precision manufacturing are maintained in the production of genuine Ferguson service parts. Therefore it is your duty to the owners of Ferguson equipment in your territory to stock and sell only genuine Ferguson replacement parts. Your customers are entitled to this protection.





ARRANGEMENT

This Parts Book for the Ferguson Tractors has been arranged for your easy identification of all genuine Ferguson service parts.

To facilitate the ordering of service parts, the column headed "Quantities Required" has been divided to show those TO-30 and TO-20 Ferguson Tractor parts which may be used to service the TE-20 and TE-A20 Ferguson Tractors as well as 9N-2N Tractors.

Service parts for the TE-20 and TE-A20 Ferguson Tractors which are not directly interchangeable with service parts for the TO-30 and TO-20 Ferguson Tractors, yet are related to the parts as shown in the illustration, have been listed and an identifying symbol shown after the corresponding TO-30 or TO-20 Ferguson Tractor part.

Each group of component parts, beginning at the rear and finishing at the front of the tractor is illustrated and copy pertaining to the illustration appears either on the page opposite to, or directly below.

Accessories and Special Equipment for the Ferguson Tractors are listed and follow the major components of the tractor.

ILLUSTRATIONS

Reference numbers are provided for the service parts appearing in each illustration as a means of readily securing the correct part number and quantity per unit.

Where two major assemblies are exactly the same, but are right hand or left hand, one side only is illustrated. (Refer to the copy for the correct part number required.)

Attaching parts having a natural relationship are indicated by the same arrow and reference number --- example, Bolt, Nut, Lockwasher.

NUMERICAL INDEX

Reference to any part number is provided in the numerical index along with a comprehensive description.

This index lists all parts in numerical sequence.

TABLE OF CONTENTS

<u>GROUP</u>	<u>DESCRIPTION</u>	<u>PAGE NO.</u>
23	AIR CLEANER, FUEL FILTER, OIL GAUGE AND CONTROL RODS	51, 53, 55
10	AXLE HOUSING REAR-WHEEL AND RELATED PARTS	17
29	AXLE-FRONT-WHEEL, HUB AND RELATED PARTS	77, 79
11	BRAKE ASSEMBLY	19, 21
22	CARBURETOR ASSEMBLY	49
7	CENTER HOUSING AND RELATED PARTS	11
9	DIFFERENTIAL ASSEMBLY	15
27	DISTRIBUTOR ASSEMBLY	70, 71
24	ELECTRICAL WIRING AND RELATED PARTS	57, 59, 61
17	ENGINE-CYLINDER HEAD, VALVES AND RELATED PARTS	33, 35
18	ENGINE-CYLINDER BLOCK, OIL PUMP AND RELATED PARTS	37, 39
20	ENGINE-PISTON, CONNECTING RODS, CAM AND CRANK SHAFTS	43, 45
14	GEAR SHIFT LEVER, RAILS, FORKS AND RELATED PARTS	27
25	GENERATOR ASSEMBLY	63, 65
28	HOOD, RADIATOR, FUEL TANK AND RELATED PARTS	73, 75
2	HYDRAULIC LIFT COVER AND RELATED PARTS	3
3	HYDRAULIC LIFT SHAFT AND RELATED PARTS	5
4	HYDRAULIC PUMP ASSEMBLY	7
6	LEVELING BOX-ASSEMBLY AND RELATED PARTS	10
34	LIGHTING KIT	85, 87
5	LINKS AND RELATED PARTS-UPPER AND LOWER	9
30	MUFFLER AND STEP PLATES	80
→	NUMERICAL PARTS INDEX-TRACTOR	V, XIX
19	OIL FILTER AND RELATED PARTS	41
12	PEDALS AND RELATED PARTS-BRAKE AND CLUTCH	23
36	POWER TAKE-OFF CONVERSION KIT-EXTENSION DRAWBAR	89
35	POWER TAKE-OFF CONVERSION KIT-SWINGING DRAWBAR	88
33	POWER TAKE-OFF PULLEY ATTACHMENT	83
8	POWER TAKE-OFF SHIFTER LEVER, FORK AND SHAFT	13
1	SEAT AND SPRING ASSEMBLY-HINGED DRIVER	1
31	SHIPPING KIT	81
37	STABILIZER ASSEMBLY	90
→	STANDARD PARTS NUMERICAL INDEX	XIX, XX
26	STARTER ASSEMBLY	67, 69
13	STEERING GEAR, INSTRUMENT PANEL AND RELATED PARTS	25
15	TRANSMISSION	29
16	TRANSMISSION CASE, CLUTCH AND RELATED PARTS	31
32	TOOLS AND SPECIAL EQUIPMENT	81
21	WATER PUMP ASSEMBLY	47
	TE-A 80 and 85 M/M ENGINES	91 thru 110
	TO-D FUEL OIL TRACTOR	112

TRACTOR NUMERICAL PARTS INDEX

PART NO.	DESCRIPTION	REF.	PAGE	PART NO.	DESCRIPTION	REF.	PAGE
A-TO-59	Stabilizer Assy.		- 90	TO-576	Link Assy.	10	- 9
A-TO-66	Pulley Attach. Assy.	1	- 83	TO-576-A	Link Assy.	10	- 9
A-TO-68	Storm Cover		- 81	TO-577	Eyebolt Assy.	13	- 10
A-TO-70	Jack Assy.		- 81	TO-579	Shaft	5	- 10
A-TO-71	Clevis Assy.	1	- 88	TO-580-A	Anchor	8	- 9
A-TO-72	Drawbar Assy.	5	- 88	TO-582	Shackle	15	- 10
A-TO-73	Adapter & Guard Assy.	12	- 88	TO-583	Bushing	16	- 10
A-TO-76-A1	Lighting Kit		- 85	TO-585-A	Fork	12	- 10
A-TO-76-B	Lighting Kit	36	- 87	TO-594	Lever	7	- 10
A-TS-76	Lighting Kit		- 87	TO-595	Pin	2	- 10
A-TO-77	Tire Pump Kit		- 81	TO-596-A	Anchor	18	- 10
A-TO-78	Dual Rear Wheel Kit		- 81	TO-598	Chain Assy.	14	- 10
A-TO-84	Temperature Indicator Kit		- 81	TO-604	Base Assy.	7	- 7
TS-85	Tractor Step Kit	14	- 80	TO-604-A	Base Assy.	7	- 7
A-TO-88	P.T.O. Conversion Kit		- 88	NS TO-606	Chamber-R.H.	26	- 7
TO-400-B	Seat Assy.	1	- 1	NS TO-606-A	Chamber-R.H.	26	- 7
TO-404-A	Spring	4	- 1	NS TO-607	Chamber-L.H.	26	- 7
TO-434	Bumper	2	- 1	NS TO-607-A	Chamber-L.H.	26	- 7
TO-434-A	Bumper	2	- 1	TO-609	Clamp	36	- 7
TO-437-A	Pin	6	- 1	TO-611	Gasket	22	- 7
TO-437-B	Pin	9	- 1	TO-613	Gasket		- 7
TO-438	Link	10	- 1	TO-614	Gasket	10	- 7
TO-439	Seat & Spring Assy.		- 1	TO-615	Piston	5	- 7
TO-440	Hinge Assy.	8	- 1	TO-616	Steady	11	- 7
NS TO-500	Lift Assy.	1	- 3	TO-617-1	Block	2	- 7
NS TO-500-A	Lift Assy.	1	- 3	TO-618	Cam	1	- 7
TO-501-B	Cover	12	- 3	TO-618-A	Cam	1	- 7
TO-502	Gasket	3	- 11	TO-620	Plug	10	- 7
TO-504-A	Fork Assy.	17	- 5	TO-621	Chamber Assy.-R.H.	25	- 7
TO-504-B	Fork Assy.	17	- 5	TO-621-A	Chamber Assy.-R.H.	25	- 7
TO-510	Cylinder	15	- 5	TO-622	Chamber Assy.-L.H.	25	- 7
TO-512	Lever Assy.	24	- 3	TO-622-A	Chamber Assy.-L.H.	25	- 7
TO-515	Quadrant Assy.	17	- 3	TO-624	Support	7	- 3
TO-516	Plate	21	- 3	TO-625	Bushing	9	- 7
TO-517	Shaft	15	- 3	TO-626	Guide	29	- 7
TO-518	Disc	20	- 3	TO-627	Socket	28	- 7
TO-520	Retainer	19	- 3	TO-628	Valve	32	- 7
TO-521	Stop Assy.	25	- 3	TO-629	Valve	30	- 7
TO-522	Spring	22	- 3	TO-631	Spacer	4	- 3
TO-526-1	Rod	9	- 5	TO-632	Spring		- 7
TO-527	Plate	9	- 3	TO-635	Valve	18	- 7
TO-529	Felt	8	- 3	TO-636	Plug	35	- 7
TO-531	Bushing	5	- 5	TO-638-A	Valve Assy.	16	- 7
TO-531-A	Bushing	5	- 5	TS-638-A	Valve Assy.	17	- 7
TO-532	Gasket	14	- 3	TO-640	Valve Assy.	15	- 7
TO-533	Ring	11	- 5	TO-641	Clip		- 7
TO-535-1	Rocker	2	- 9	TO-642	Stem		- 7
TO-536	Bushing	6	- 9	TO-643	Bar		- 7
TO-539	Spring	16	- 5	TO-645	Spring	19	- 7
TO-540	Fork	21	- 5	TO-646	Spring	33	- 7
TO-541	Plunger	10	- 3	TO-647	Spring	31	- 7
TO-543	Arm	4	- 5	TO-649	Bushing	6	- 7
TO-544	Shaft	7	- 5	TO-664	Washer	34	- 7
TO-545-A	Ram Arm	6	- 5	TO-666	Link Assy.	12	- 9
TO-546	Yoke	2	- 3	TO-666-A	Link Assy.	12	- 9
TO-547	Spring	3	- 3	TO-675	Seat	5	- 3
TO-548	Pin	19	- 5	TO-676	Pin	20	- 5
TO-549	Pin	16	- 5	TO-684	Piston Assy.	10	- 5
TO-550	Clip	2	- 5	TO-686	Shield	21	- 7
TO-551	Washer	3	- 5	TO-687	Stabilizer	22	- 5
TO-552	Gasket	13	- 5	TO-688	Fork & Pin Assy.	4	- 7
TO-553	Gasket	13	- 5	TO-691	Drive Assy.		- 7
TO-555	Link Assy.-R.H.	18	- 9	TO-694	Valve Assy.	15	- 7
TO-556	Link Assy.-L.H.	21	- 9	TO-695	Washer	3	- 7
TO-561	Pin Assy.	7	- 9	TO-697	Screw	3	- 7
TO-563-A	Shaft	12	- 17	TO-699	Pump Assy.		- 7
TO-564	Rod	19	- 10	TO-699-A	Pump Assy.		- 7
TO-565	Box	9	- 10	TO-700-A	Power Take-Off Assy.	19	- 13
TO-566	Knuckle	3	- 10	TO-707	Screw	17	- 10
TO-567	Tube	4	- 11	TO-708	Retainer Assy.	11	- 13
TO-568	Gear	11	- 10	TO-708-A	Retainer Assy.	11	- 13
TO-569-A	Box Assy.	1	- 10	TO-710-A	Shaft Assy.	20	- 13

NOTE: N.S. Indicates - NOT SERVICED - Part number appears in this catalog for reference only.

TRACTOR NUMERICAL PARTS INDEX (CONT.)

PART NO.	DESCRIPTION	REF.	PAGE	PART NO.	DESCRIPTION	REF.	PAGE
A-TO-713	Gear Assy.		- 83	1383	Clip	6	- 80
TO-716	Hub	13	- 13	1385	Bolt	13	- 17
TO-717	Sleeve	15	- 13	1391	Spring	31	- 55
TO-719	Rail	18	- 13	1420	Bracket	28	- 61
TO-720	Fork	5	- 11	1423	Clip		- 75
TO-721	Cover	4	- 11	1424	Packing		- 75
TO-722	Stop	7	- 11	1429	Handle Assy.	13	- 75
TO-723	Lever	1	- 13	1431	Ferrule	13	- 75
TO-726	Cap	27	- 13	1432	Nut	13	- 75
TO-733	Cover	26	- 13	1433	Lever-L.H.	13	- 75
TO-735	Sleeve	24	- 13	1434	Lever-R.H.	13	- 75
A-TO-736	Drive Assy.		- 83	1485	Washer	23	- 29
NS A-TO-737	Gear & Shaft	15	- 83	1488	Yoke	26	- 33
A-TO-740	Pulley	3	- 83	1518	Rod	14	- 23
NS A-TO-745	Gear	7	- 83	1519	Adjuster Assy.		- 21
A-TO-746	Shaft	4	- 83	1520	Pinion	17	- 21
A-TO-747-A	Gasket	17	- 83	1521	Screw-L.H.	16	- 21
A-TO-747-B	Gasket	17	- 83	1522	Screw-R.H.	18	- 21
A-TO-747-C	Gasket	17	- 83	1525	Washer	9	- 19
TO-754	Ring	16	- 13	1527	Brace	4	- 19
TO-757	Ring	25	- 13	1528	Post		- 21
A-TO-761	Cover Assy.		- 83	1530	Plate & Block	7	- 19
A-TO-762	Housing Assy.	10	- 83	1531	Bolt		- 21
A-TO-801	Stud	3	- 88	1534	Nut		- 21
A-TO-802	Stud	2	- 88	1535	Collar	7	- 19
A-TO-820	Pin Assy.	4	- 88	1536	Screw	7	- 19
A-TO-821	Spring		- 88	1537	Wheel	17	- 21
A-TO-822	Detent		- 88	1538	Bell	17	- 21
A-TO-823	Lever		- 88	1539	Retainer	17	- 21
A-TO-831	Spacer	11	- 88	1540	Washer	17	- 21
A-TO-832	Spacer	8	- 88	1541	Ring	17	- 21
A-TO-833	Plate	10	- 88	1542	Washer	14	- 21
A-TO-834	Drawbar	9	- 88	1544	Spring	3	- 19
A-TO-835	Guide Assy.	7	- 88	1547	Screw	25	- 25
A-TO-840	Strut Assy.	6	- 88	1564	Cap	15	- 75
970	Bulb	47	- 61	1567	Tie Rod	19	- 75
M-1001	Paint		- 81	1569	Pin-Axle	24	- 79
1011	Gasket		- 17	1574	Gasket		- 80
TO-1015-A	Rim Assy.	38	- 79	1575	Gasket	47	- 55
1024	Plate		- 17	1610	Rocker	36	- 55
1025	Shaft	12	- 17	TO-1710	Sleeve		- 17
TO-1104-1	Hub Assy.	32	- 79	TO-1710-A	Sleeve		- 17
TO-1107	Bolt		- 79	1799	Oil Pressure Gage	13	- 53
TO-1108-B	Rim Assy.	15	- 17	1809	Bracket		- 75
A-TO-1112	Spacer		- 81	1814	Wrench		- 81
TO-1114	Nut	14	- 17	1824	Case Assy.	22	- 31
A-TO-1114	Nut		- 81	1830	Housing Assy.	30	- 25
TO-1115	Bolt	20	- 17	1873	Selector	21	- 27
TO-1122	Disc	16	- 17	1880	Hose Suction		- 55
TO-1126-B	Drum	18	- 17	1888	Circlip	9	- 79
TO-1127	Screw	17	- 17	1897	Cap	15	- 75
TO-1139	Cap	36	- 79	1912	Plunger	30	- 55
1145	Stud		- 17	1919	Clip-Wiring Harness	24	- 61
1170	Gasket	6	- 27	1921	Clip		- 55
TO-1175	Bolt	13	- 17	1922	Half Clip		- 55
1187	Bolt	20	- 17	1923	Cover Assy.	4	- 79
TO-1190	Seal	30	- 79	1943	Gasket	1	- 27
TO-1195	Washer	34	- 79	1944	Seal	38	- 25
1205	Gasket	9	- 53	1954	Bracket		- 80
1206	Gauze	8	- 53	1955	Clip		- 80
1207	Bowl	10	- 53	1999	Nut	14	- 21
1221	Bolt		- 1	TO-2034	Spring	3	- 19
1260	Spring	16	- 27	TO-2035	Spring	19	- 19
1262	Nut-Wing		- 59	TO-2036	Spring	11	- 19
1276	Clip		- 80	TO-2038	Screw	17	- 19
1289	Bushing	9	- 17	TO-2042	Socket	18	- 19
1291	Gear	20	- 71	TO-2051	Stop & Shaft Assy.-L.H.	5	- 23
1296	Pin	21	- 71	TO-2053	Stop & Shaft Assy.-R.H.	5	- 23
1300	Lever	19	- 59	TO-2060	Linkage Assy.-R.H.	4	- 23
1317	Yoke	26	- 23	TO-2061	Linkage Assy.-L.H.	4	- 23
1351	Strut		- 31	TO-2062	Nut	8	- 19
1352	Flange		- 31	TO-2063	Brace	4	- 19

TRACTOR NUMERICAL PARTS INDEX (CONT.)

PART NO.	DESCRIPTION	REF.	PAGE	PART NO.	DESCRIPTION	REF.	PAGE
TO-2065	Washer-Lock	9	19	TO-3006	Arm Assy.-R.H.	14	77
TO-2068	Spring	15	19	TO-3007	Arm Assy.-L.H.	28	79
TO-2069	Pin	13	19	TO-3026	Spacer	22	77
2070	Clip-Hose	46	55	TO-3029	Support Assy.	23	77
TO-2071	Cup	14	19	TO-3039	Bushing	21	77
2072	Clip-Hose	46	55	TO-3105	Spindle-R.H.	18	77
2073	Clip-Hose		55	TO-3106	Spindle-L.H.	29	79
TO-2087	Nut	16	19	TO-3109	Bushing	15	77
TO-2100	Shoe & Lining Kit	2	17	TO-3124	Bushing		77
TO-2100-A	Shoe & Lining Kit	2	17	TO-3124-A	Bushing		77
TO-2104	Pin	10	19	TO-3126-A	Pin	24	77
2112	Rod Assy.	26	53	TO-3126-B	Pin		77
2210	Connector		109	TO-3126-C	Pin		77
TO-2212	Plate Assy.-R.H.	12	19	TO-3130-A	Arm	10	77
TO-2217-A	Seal-Dust		19	TO-3287	Clamp		79
TO-2220-A	Pedal	19	23	TO-3289	End Assy.	7	77
TO-2221-A	Arm	24	23	TS-3289	End Assy.	7	79
TS-2224	Spring Brake	19	21	TO-3304-A	Link Assy.	2	77
TO-2225	Brake Assy.	1	19	TO-3324	Cover Assy.	4	77
TS-2229	Spring-Crank	7	19	TO-3332	Cover	9	77
2231	Rod Assy.	26	53	TO-3336	Retainer	8	77
TS-2234	Nut		21	TO-3374	End Assy.	3	77
TO-2244	Cover	20	19	TS-3374	End Assy.	3	79
TO-2245	Spring	5	19	TO-3405	Rod Assy.	19	77
TO-2246	Washer	6	19	TO-3440	Cap	10	23
TO-2247	Shaft	7	19	TO-3441-A	Shim	11	23
TS-2256	Nut	8	19	TO-3442	Spacer	12	23
2274	Valve & Gland Assy.		53	TO-3443	Sector	16	23
2305	Ring-Internal	15	7	TO-3446	Plate	13	23
2341	Dowel		21	TO-3513	Panel	35	25
2366	Washer	23	29	TO-3513-A	Panel	35	25
2378	Base Assy.	7	7	TO-3517	Bushing	32	25
2398	Support		61	TO-3520-A	Housing Assy.	30	25
2399	Collar	27	29	TO-3525	Shaft & Pinion	17	25
2406	Washer	23	29	TO-3526	Sector	20	25
2419	Bail Assy.	11	53	TO-3528	Seal	13	77
2426	Coupling	27	29	TO-3529	Screw	29	25
TO-2455-B	Pedal Assy.-R.H.	1	23	TO-3530	Arm-L.H.	26	25
TO-2456-B	Pedal Assy.-L.H.	7	23	TO-3531	Arm-R.H.	18	25
TO-2477-A	Bushing	9	17	TO-3534	Bolt	9	25
2478	Bolt	11	9	TO-3535	Bolt	11	73
2479	Case	22	31	TO-3555-A	Plate	24	25
2480	Plug	13	3	TS-3557	Gasket	23	25
2481	Wrench		3	TO-3558-A	Gasket	23	25
2483	Spring	39	53	TO-3561	Housing Assy.	8	25
2485	Plunger	30	55	TO-3598	Retainer	12	25
2501	Cover & Screen Assy.	50	55	TO-3600	Wheel	2	25
2504	Instrument Panel	35	25	TO-3652	Washer-Lock	16	25
YJ-2505	Screw		55	TO-3660	Seal	6	25
2508	Spring	39	55	TO-3661	Retainer	5	25
NE-2508	Nut	3	107	TO-3669	Cap	3	25
2517	Spring	31	55	TO-3673	Washer	1	25
2518	Nut		55	TO-3680	Washer-Lock	49	59
2549	Pin		21	TO-3681	Nut	48	59
2551	Plate		21	TO-3682	Washer-Lock-Shakeproof		57
2552	Plate		21	TO-3683	Screw		57
2553	Spring		21	TO-3684	Lock Assy.	13	57
2555	Plate		21	TO-3684-A	Lock Assy.	13	57
2563	Washer	9	27	TO-3685	Key		57
2568	Lug		59	TO-3685-A	Key		57
2569	Plate		61	TO-3689	Nut		57
2573	Screw	16	21	TO-3689-A	Nut		57
2574	Screw	18	21	TO-3690	Lens Assy.	50	59
2576	Clip		61	TO-3691	Socket Assy.	46	59
2577	Distance Piece		61	TO-3692	Bulb	47	59
2578	Adjuster		21	TS-3693	Discharge Indicator Kit	46	61
2580	Distance Piece		61	TO-3694	Plate	35	25
2641	Clutch Cover Assy.		31	TO-3699	Spring	4	25
TO-2785-A	Rod & Yoke Assy.	14	23	TO-3809-B	Platform Assy.	11	57
TO-2786	Pawl	15	23	TO-3810-A	Panel-Dash	9	73
TO-2792-A	Shaft	25	23	TO-3810-B	Panel-Dash	9	73
TO-3001	Axle Assy.	20	77	TO-4012-A	Housing Assy.-R.H.	7	17

TRACTOR NUMERICAL PARTS INDEX (CONT.)

PART NO.	DESCRIPTION	REF.	PAGE	PART NO.	DESCRIPTION	REF.	PAGE
TO-4012-B	Housing Assy.-R.H.	7	17	4280	Cup	52	55
TO-4013-A	Housing Assy.-L.H.	7	17	4281	Cup	52	55
TO-4013-B	Housing Assy.-L.H.	7	17	4305	Shaft	25	23
TO-4025	Housing Assy.	1	11	4309	Mat-Battery	11	59
TO-4025-A	Housing Assy.	1	11	4351	Pedal & Pad Assy.	1	23
TO-4035	Gasket	11	17	4352	Pedal & Pad Assy.	7	23
TO-4035-A	Gasket	11	17	4392	Cover-Battery	9	59
4040	Gear	24	29	4414	Stabilizer-Fork	22	5
4057	Shaft	10	29	4427	Spring		21
TO-4124-A	Retainer Assy.	22	17	4428	Bracket		21
TO-4124-B	Retainer Assy.	22	17	4429	Bracket		21
TO-4129	Gasket	28	13	4435	Rod Assy.	27	53
TO-4130	Gasket	4	17	4465	Lever	36	55
TO-4131	Gasket	5	11	4470	Rod Assy.	19	53
TO-4132	Collar	25	17	4477	Fuel Tank Assy.	14	75
TO-4135	Stud	3	17	4480	Pin & Plate Assy.	10	21
4149	Selector	22	27	4481	Spring	3	19
TO-4150	Trough Assy.	16	11	4482	Spring	11	21
TO-4150-A	Trough Assy.	16	11	4486	Cover	9	59
4167	Runner Assy.		75	4487	Mat	11	59
4170	Catch Assy.-L.H.	13	75	TO-4605	Shaft Assy.	9	11
4171	Catch Assy.-R.H.	13	75	NS TO-4609	Pinion Assy.	16	15
4178	Stop Plate	1	27	NS TO-4610-A	Pinion Assy.	16	15
4183	Pin & Plate Assy.	10	21	TO-4614	Sleeve Assy.	19	15
4184	Centralizer-L.H.		21	TO-4614-A	Sleeve Assy.	19	15
4185	Centralizer-R.H.		21	TO-4626-A	Race	16	15
4186	Shaft & Crank Assy.	7	19	TO-4627	Ring	16	15
4187	Bearing	10	21	TO-4634	Nut	22	15
TO-4195-A	Block	15	11	TO-4636	Washer	23	15
TO-4195-B	Block	15	11	TO-4641	Screw	18	15
TO-4203	Gear & Pinion Assy.	1	15	TO-4662	Gasket	8	11
NS TO-4205	Case	12	15	TO-4667	Washer	21	15
NS TO-4205-A	Case	12	15	TO-5182	Drawbar	20	9
NS TO-4206	Case	5	15	TO-5230	Muffler Assy.	7	80
NS TO-4206-A	Case	5	15	TS-5230	Muffler Assy.	7	80
NS TO-4208-A	Wire	4	15	TO-5245	Pipe	3	80
TO-4209-A	Bolt	13	15	TO-5251	Clamp	1	80
TO-4209-C	Bolt	13	15	TO-5260	Clip	4	80
NS TO-4210	Gear	11	15	TO-5264	Clip	8	80
NS TO-4210-A	Gear	11	15	TO-5370	Chain & Wedge Assy.	23	9
TO-4211	Spider	7	15	NS TO-5372	Stay Assy.-R.H.	22	9
TO-4211-A	Spider	7	15	NS TO-5373	Stay Assy.-L.H.	22	9
TO-4215	Pinion	8	15	TO-5374	Stay-Upper	24	9
TO-4215-A	Pinion	8	15	TO-5375	Stay-Lower	26	9
TO-4216	Screw	3	15	TO-6005	Engine Assy.		33
TO-4216-A	Screw	3	15	TO-6005-A	Engine Assy.		33
TO-4217	Gear Case & Pinion Assy.	1	15	TO-D6005	Engine Assy.		112
TO-4218	Gear & Pinion Assy.	24	15	TS-6020	Gasket	25	99
TO-4218-A	Gear & Pinion Assy.	24	15	TS-6090	Screw	20	93
TO-4219	Differential Case Assy.		15	TS-6135	Pin	12	101
TO-4219-A	Differential Case Assy.		15	TS-6207	Bushing	11	101
TO-4228	Washer	10	15	TO-6387	Dowel	8	7
TO-4228-A	Washer	10	15	TO-6397	Dowel	27	37
TO-4229-A	Shim	5	17	TS-6505	Valve Exhaust	36	95
TO-4229-B	Shim	5	17	TS-6517	Cone Split	41	95
TO-4229-C	Shim	5	17	TS-6567	Pin-Adjustment-Rocker	30	95
TO-4230	Washer	9	15	TS-6619	Gasket-Oil Pump	17	103
TO-4230-A	Washer	9	15	TS-6623	Joint-Oil Filter	20	103
TO-4234-A	Shaft Assy.	19	17	TS-6710	Gasket-Oil Sump	21	103
TO-4234-B	Shaft Assy.	19	17	TS-6762	Washer-Filler Body	5	103
TO-4236	Gear	6	15	TO-7002	Transmission Assy.		29
TO-4236-A	Gear	6	15	TO-7005	Case Assy.	22	31
4254	Rod Choke Control	27	53	7009	Shaft Assy.-P.T.O.	20	13
TO-4256	Pin	20	15	TO-7010	Plug	13	7
TO-4260	Shield		17	TO-7010-A	Plug	6	27
4260	Cover Assy.	50	55	TO-7011	Gasket	14	7
4261	Cup	52	55	7015	Shaft & Sleeve Assy.	15	11
4262	Clamp Assy.	43	55	TO-7017	Gear	1	29
4266	Stop	13	23	TO-7051	Retainer Assy.	12	31
4269	Arm-L.H.	24	23	7058	P.T.O. Assy.	19	13
4270	Arm-R.H.	24	23	TO-7061-A	Shaft	10	29
4277	Cover Assy.	50	55	7062	Spring	4	1

VIII NOTE: N.S Indicates - NOT SERVICED - Part number appears in this catalog for reference only.

TRACTOR NUMERICAL PARTS INDEX (CONT.)

PART NO.	DESCRIPTION	REF.	PAGE	PART NO.	DESCRIPTION	REF.	PAGE
TO-7063	Spacer	16	- 29	TO-7252	Spacer	40	- 29
TO-7071-A	Washer	11	- 29	TO-7253	Washer	23	- 29
TO-7071-B	Washer	3	- 29	TO-7256	Bearing	39	- 29
7081	Cup	1	- 27	TO-7257	Bearing	15	- 29
TO-7084	Retainer	14	- 29	TO-7277-A	Cover	5	- 27
TO-7086	Gasket	31	- 29	7291	Counter Shaft	22	- 29
7093	Support		- 25	7292	Gear	24	- 29
7097	Pedal	19	- 23	7316	Belt Fan	7	- 107
TO-7100-A	Gear	9	- 29	7324	Gasket	8	- 11
TO-7102	Gear	5	- 22	7329	Fork Assy.	17	- 5
7104	Bulkhead	9	- 75	7330	Air Inlet	36	- 41
TO-7105	Connector	8	- 29	7332	Bulkhead	9	- 75
7105	Connector	27	- 29	7340	Shoe & Lining	2	- 19
TO-7106	Coupling	7	- 29	7343	Camshaft-L.H.		- 21
7106	Coupling	27	- 29	7344	Camshaft-R.H.		- 21
7108	Support		- 75	TO-7508	Bushing	23	- 31
TO-7110	Gear	4	- 29	TO-7510	Shaft	20	- 23
TO-7111-A	Countershaft	22	- 29	TO-7515	Fork	18	- 23
TO-7113	Gear	29	- 29	TO-7519	Pedal	22	- 23
TO-7114-A	Gear	24	- 29	TO-7547	Facing Kit		- 31
TS-7116	Bushing	39	- 29	TO-7548	Facing Kit		- 31
7117	Hub Assy.	32	- 79	TO-7550-2	Disc Assy.	1	- 31
7118	Shoe & Lining Kit	2	- 19	TO-7561	Hub	11	- 31
TO-7119-A	Gear & Bushing	6	- 29	TO-7562	Spring	32	- 31
7120	Countershaft Assy.	22	- 29	TO-7563-3	Plate & Cover Assy.	2	- 31
TO-7121	Gear & Bushing Assy.	28	- 29	TO-7564	Bolt	33	- 31
7121	Gear Assy.	9	- 29	TO-7566	Plate	4	- 31
TO-7127	Connector	27	- 29	TO-7572	Spring	8	- 31
TO-7132	Retainer Assy.	32	- 29	TO-7572-B	Spring	8	- 31
TO-7135-A	Shim	10	- 13	TO-7575	Screw	5	- 31
TO-7135-F	Shim	10	- 13	TO-7576	Nut	5	- 31
TO-7135-G	Shim	10	- 13	TO-7577	Spring	3	- 31
TO-7135-H	Shim	10	- 13	TO-7578	Cup	9	- 31
TO-7137	Indicator	7	- 11	TO-7579	Pin	6	- 31
TO-7140-A	Shaft	37	- 29	TO-7591	Lever	7	- 31
TO-7141	Gear & Bushing	35	- 29	TO-8009	Radiator	21	- 73
TO-7145	Coupling	34	- 29	TO-8038-A	Tie Rod	19	- 73
TO-7146	Gear & Bushing Assy.	33	- 29	TS-8100	Cap-Radiator	20	- 75
TO-7149	Washer	36	- 29	TO-8100-A1	Cap	20	- 73
TO-7149-A	Washer	36	- 29	TS-8111	Gasket	20	- 75
7152	Tube Assy.	15	- 53	TO-8115	Cock-Drain	23	- 39
TO-7156	Stop	38	- 29	TO-8125	Pad	22	- 75
7156	Air Cleaner Assy.	48	- 55	TO-8146	Shroud	28	- 75
TO-7157	Bolt	38	- 29	TO-8206-B	Grill & Stop Support	5	- 73
TO-7158	Cover Assy.	6	- 11	TO-8215	Name Plate	2	- 73
7168	Air Cleaner Assy.	48	- 55	TO-8217-A	Bracket	3	- 73
7177	Plate	24	- 25	TO-8260	Hose	27	- 75
TO-7210-B	Lever-Gear Shift	3	- 27	TS-8260	Hose	27	- 75
TO-7211-A	Ball	4	- 27	TO-8286	Hose	25	- 75
TO-7213	Gasket	27	- 31	TS-8286	Hose	25	- 75
TO-7221	Pin	2	- 27	8517	Spindle-R.H.	18	- 79
TO-7222	Cover Assy.	1	- 27	8518	Spindle-L.H.	29	- 79
TO-7227-A	Spring	5	- 27	TS-8530	Bearing Assy.	6	- 107
TO-7228	Seat	17	- 24	8540	Pipe	3	- 80
TO-7230	Fork-1st and 2nd	18	- 27	8542	Fork	20	- 27
TO-7231	Fork-Reverse	19	- 27	8549	Tool Box	17	- 75
TO-7234	Spring	9	- 13	8561	Shield Assy.		- 80
TO-7236	Fork-3rd and 4th	20	- 27	8565	Platform	11	- 59
TO-7237	Plunger	11	- 27	8566	Strap		- 75
TO-7238	Spacer	9	- 27	TO-8575	Thermostat	26	- 75
TO-7239	Spring	8	- 27	TO-D-8575	Thermostat	2	- 112
TO-7240	Rail-1st and 2nd	14	- 27	8578	Plate-L.H.	12	- 21
TO-7241	Rail-3rd and 4th	13	- 27	8579	Plate-R.H.	12	- 21
TO-7242	Rail-Reverse	12	- 27	8584	Pipe	3	- 80
TO-7244	Bushing	24	- 31	8588	Pipe	53	- 55
TS-7244	Bushing	24	- 31	TS-8599	Gasket	4	- 93
TO-7245	Screw	15	- 27	TO-D-8600	Fan "15" Blade	3	- 112
TO-7246	Plate	31	- 31	TO-8600-1	Fan Assy.	1	- 47
TO-7247	Selector-1st and 2nd	22	- 27	TO-8603	Elbow	41	- 35
TO-7248	Selector-Reverse	21	- 27	TO-8604	Gasket	39	- 35
TO-7249	Plunger	8	- 27	TO-8605	Gasket	42	- 35
TO-7251	Plate	10	- 27	8607	Gasket		- 31

TRACTOR NUMERICAL PARTS INDEX (CONT.)

PART NO.	DESCRIPTION	REF.	PAGE	PART NO.	DESCRIPTION	REF.	PAGE
TO-8609	Gasket	42	- 35	S-9500-A	Rim Assy.	38	- 79
8610	Pipe Assy.		- 55	S-9507	Hood	1	- 75
TO-8620	Belt	2	- 47	TO-D9510	Carburetor Assy.	9	- 112
8623	Plate Assy.	19	- 17	TO-9510-A	Carburetor Assy.	1	- 49
8624	Cover Assy.		- 31	TO-9510-B1	Carburetor Assy.	1	- 49
8628	Belt-Fan	7	- 107	S-9512-A	Nut	37	- 79
8648	Drum	18	- 17	9512	Housing Assy.-L.H.	7	- 17
8666	Shaft Assy.	19	- 17	9514	Housing Assy.-R.H.	7	- 17
8701	Tool Box	17	- 75	TO-9514	Plug		- 49
8703	Support Assy.	23	- 79	TO-D9518	Jet		- 112
8717	Pipe	53	- 55	TO-9519	Gasket	21	- 49
8738	Link Assy.-R.H.	10	- 9	9523	Grill Assy.-L.H.	5	- 75
8739	Link Assy.-L.H.	10	- 9	9524	Grill Assy.-R.H.	5	- 75
8740	Gasket		- 31	9525	Brake Assy.	1	- 19
8742	Air Cleaner Assy.	48	- 55	9526	Brake Assy.	1	- 19
8752	Fuel Pipe Assy.	12	- 53	TO-D9530	Nozzle		- 112
8754	Plate-L.H.	12	- 21	TO-9530-A	Nozzle	22	- 49
8755	Plate-R.H.	12	- 21	TO-9530-B	Nozzle	22	- 49
8756	Pipe	3	- 80	9531	Panel Assy.-L.H.	7	- 75
8761	Platform	11	- 59	9532	Panel Assy.-R.H.	7	- 75
8762	Cradle Assy.		- 61	TO-9533-A	Jet		- 49
8773	Cradle & Packing		- 61	9533	Center Bar & Lower Panel.		- 75
C-LO-8920	P.T.O. Conversion Kit		- 89	9536	Seat Assy.	1	- 1
C-LO-8921	Shaft Extension	1	- 89	TO-9539	Spring	25	- 49
C-LO-8922	Housing	2	- 89	TO-9540	Spring	15	- 49
C-LO-8923	Shaft Assy.	3	- 89	TO-9541	Needle	17	- 49
C-LO-8924	Shaft	4	- 89	TO-9546	Shaft & Lever Assy.	26	- 49
A-TO-8925	Shaft Assy.	16	- 88	TO-9547	Retainer	26	- 49
C-LO-8926	Sleeve	5	- 89	TO-9548	Packing	26	- 49
C-LO-8928	Cover	8	- 89	TO-9549	Fly Assy.	24	- 49
C-LO-8929-B	Seal	9	- 89	TO-9550	Float & Lever Assy.	28	- 49
A-TO-8930	Guard Assy.	17	- 88	S-9551-A	Pin	1	- 9
C-LO-8930	Guard Assy.	14	- 89	S-9552	Pin	4	- 9
C-LO-8934	Brace	18	- 89	TO-9553	Elbow & Strainer Assy.	12	- 49
C-LO-8935	Extension Assy.	15	- 89	TO-9558	Pin	29	- 49
C-LO-8938	Bolt	16	- 89	S-9561-A	Chain	7	- 90
C-LO-8941	Shim	11	- 89	S-9561-B	Chain	8	- 9
C-LO-8945	Shim	11	- 89	S-9561-D	Chain	3	- 9
C-LO-8946	Shim	11	- 89	S-9561-F	Chain	9	- 9
TO-D9002	Tank & Cap Assy.	1	- 112	S-9562	Eye	3	- 9
TO-9002-A	Tank & Cap Assy.	14	- 73	TO-9563	Gasket	13	- 49
TO-9031-A	Cap		- 112	S-9563	Ring	4	- 9
TO-9067-A	Pad	18	- 73	TO-9564	Valve Assy.	10	- 49
TO-9068	Strap	18	- 73	S-9564-A	Anchor	13	- 9
TO-9143	Cover Assy.	7	- 51	TO-9565	Needle Assy.	16	- 49
TS-9143	Cover Assy.	7	- 53	S-9566-A	Clip	19	- 9
TO-D9153	Spring		- 112	TO-9567	Seat-Needle	16	- 49
TO-9155-3	Filter Assy.		- 51	S-9570	Anchor	6	- 90
TO-D9155	Filter Assy.	14	- 112	TO-D9573	Petcock-Bowl Drain		- 112
TS-9155	Filter Assy.		- 53	TO-9578	Spring	18	- 49
TO-9158	Wheel	2	- 51	S-9579-A	Screw	8	- 73
TO-9160	Gasket	9	- 51	TO-9581	Shaft & Lever Assy.	8	- 49
TO-9160-A	Gasket	9	- 51	9582	Shroud	28	- 75
TO-9161	Strainer	8	- 51	TO-9585	Fly	19	- 49
TO-D9161	Screen-Double Fuel		- 112	TO-9586	Venturi	20	- 49
TO-9162	Bowl	10	- 51	TO-D9586	Venturi		- 112
TO-9162-A	Bowl	10	- 51	TO-9586-A	Venturi	20	- 49
TO-9166	Bail Assy.	11	- 51	TO-9589-A	Spring	7	- 49
TO-9166-A	Bail Assy.	11	- 51	TO-9591	Retainer	5	- 49
TO-9170-A	Valve Assy.	1	- 51	9594	Fuel Line	12	- 53
TO-9172	Nut	3	- 51	TO-D9596	Jet	9	- 49
TO-9173	Screw	1	- 51	TO-9596-A	Jet	9	- 49
TO-9178	Washer	5	- 51	TO-9600	Air Cleaner Assy.	48	- 53
TO-9178-A	Washer	5	- 51	TO-9600-B1	Air Cleaner Assy.	42	- 53
TO-9186-B	Packing	4	- 51	TO-9600-B2	Air Cleaner Assy.	54	- 53
TO-9194	Stem	6	- 51	TO-9602	Cover Assy.-Air Cleaner	50	- 53
TO-9273	Cage Assy.	13	- 51	TO-9608	Gasket	23	- 49
TO-D9282	Tube Assy.	13	- 112	TO-D9608	Gasket-Nozzle	23	- 49
TO-9282-A1	Tube Assy.	12	- 51	TO-9610-A	Screw	6	- 49
TO-D9293	Tube Assy.	12	- 112	TO-9612	Cover & Screen Assy.	3	- 25
TO-9447	Gasket	3	- 49	TO-9613-1	Screw	37	- 25
TS-9447	Gasket	12	- 93	TO-9614	Hose	36	- 25

TRACTOR NUMERICAL PARTS INDEX (CONT.)

PART NO.	DESCRIPTION	REF.	PAGE	PART NO.	DESCRIPTION	REF.	PAGE
TO-9617	Pre-Filter Assy.	-	53	S-9834	Cone & Roller	21	29
TO-9618	Disc	-	53	TO-9835	U-Bolt	35	51
TO-9619	Screen	51	53	S-9835	Cup	20	13
TO-9622	Packing	5	49	TO-9836	Washer	22	51
TO-D9622	Packing	5	49	S-9836	Cone & Roller	2	29
9623	Clamp Assy.	14	75	S-9838	Cup	-	79
TO-9628	Clamp Assy.	43	53	S-9839	Cone & Roller Assy.	31	79
TO-9628-A	Clamp Assy.	55	53	S-9842	Cone & Roller Assy.	33	79
A-TO-9635	Bracket-R.H.	3	90	S-9843	Cup	-	79
9636	Cover	12	3	S-9850	Bearing Assy.	13	88
A-TO-9637	Bracket-L.H.	3	90	S-9851	Bearing Assy.	15	15
TO-9652	Hose	47	53	S-9852	Bearing Assy.	17	13
TO-9652-A	Hose	47	53	S-9853	Bearing Assy.	10	31
TO-9658	Cup	52	53	S-9854	Bearing-Pilot	41	45
TO-9658-A	Cup	56	53	S-9855	Bearing Assy.	17	77
TO-9658-B	Cup	44	53	S-9857	Bearing Assy.	6	10
A-TO-9661	Pin	4	90	S-9875	Cone & Roller	6	89
A-TO-9662	Link	2	90	TO-9876	Ball Joint	18	51
9686	Shroud	28	75	TS-9876	Joint	18	53
9691	Brake Assy.-L.H.	1	19	S-9881	Bearing Assy.	15	15
TO-9692	Plug	-	49	S-9904	Seal	5	83
9692	Brake	1	19	S-9905	Seal	12	83
TO-9694	Strainer	-	49	S-9906	Seal	6	17
TO-9700	Rod Assy.	27	51	S-9907	Seal	15	31
TO-9703	Knob	-	51	S-9908	Seal	21	17
A-TO-9703-1	Knob	37	87	S-9910	Seal	19	25
TO-9704	Nut	-	51	S-9911	Seal	23	27
S-9753-A	Nut	5	57	S-9912	Seal	23	13
S-9753-D	Nut-Wing	25	3	TO-10000-A1	Generator Assy.	1	57
S-9754-B	Screw	28	75	TO-10000-C	Generator Assy.	1	57
S-9761-A	Chain	7	90	S-10012	Bushing	33	25
S-9761-D	Yoke-Brake	26	23	S-10013	Bushing	-	23
S-9770-F	Nut	12	17	S-10085	Clamp	46	53
S-9773-A	Nut	11	77	S-10099	Plug	23	37
S-9773-C	Nut	17	23	S-10100	Plug	35	25
S-9773-D	Nut	5	77	S-10101	Plug	35	25
S-9774-B	Nut	13	80	S-10102	Grommet	-	57
S-9776-A	Bolt	14	5	S-10103	Connector	14	51
S-9776-B	Bolt	12	5	S-10104	Nut	-	51
A-TO-9781	Stabilizer-R.H.	1	90	S-10105	Elbow	16	51
A-TO-9782	Stabilizer-L.H.	1	90	S-10106	Nut	-	51
S-9800	Cup-Roller	31	79	S-10109	Elbow	10	112
S-9801	Bearing Assy.	31	79	S-10110	Fitting	6	77
TO-9802-A	Throttle Control	26	51	S-10111	Speed Nut	12	73
TO-9803	Link	37	51	S-10112	Plug	13	3
TO-9806	Spring	23	51	S-10150	Ring	14	88
TO-9808	Lever Assy.	34	25	S-10151	Ring	15	88
TO-9809	Clamp	24	51	S-10152	Ring	-	7
S-9809	Cone & Roller	6	83	TO-10153	Plate Assy.	-	59
TS-9810	Rod Assy.	19	53	TO-10160	Bracket	43	59
S-9810	Cup	11	83	TO-10161	Anchor	2	57
TS-9811	Joint	20	53	TO-10162	Bolt	2	57
S-9812	Cone & Roller	16	83	S-10167	Ring	25	29
TO-9813	Rod	19	51	S-10170	Ring	23	7
S-9813	Cup	-	83	S-10171	Ring	13	5
S-9814	Bearing Assy.	33	79	S-10211-A	Pin	18	57
TO-9815	Rod	29	51	S-10211-C	Pin	17	57
TO-9816	Plunger	30	51	S-10211-E	Pin	19	57
S-9822	Cone & Roller	7	25	S-10211-F	Pin	8	5
TO-9823	Rod	11	25	S-10211-G	Pin	16	10
S-9823	Cup	11	25	S-10212-A	Pin	26	23
S-9825	Cone & Roller	2	15	S-10213-A	Pin	26	23
S-9826	Cup	8	17	S-10216-B	Pin	5	9
TO-9827	Spring	39	51	S-10221	Pin	-	88
S-9828	Cone & Roller	24	17	TO-10505-A	Regulator	-	57
S-9829	Cup	23	17	TO-10655	Battery	6	57
TO-9829-A	Rod Assy.	25	51	TO-10657	Battery	6	57
TO-9830	Washer	21	51	TO-10728	Bolt	5	57
S-9831	Cup	19	15	TO-10740	Gasket	8	57
TO-9832	Ball Joint	20	51	TO-10741	Pin	-	57
S-9832	Cone & Roller	17	15	TO-10850	Ammeter	22	57
TO-9834	Rocker	36	51	A-TO-10884	Adapter	-	81

TRACTOR NUMERICAL PARTS INDEX (CONT.)

PART NO.	DESCRIPTION	REF.	PAGE	PART NO.	DESCRIPTION	REF.	PAGE
TO-11001	Starter Assy.	26	- 57	A-TO-13473	Medallion-L.H.	8	- 85
TO-11450-A	Switch	21	- 57	TO-14300	Cable Assy.	12	- 57
TO-11454	Plate & Bracket Assy.	15	- 57	TO-14301	Strap Assy.	7	- 57
TS-11461	Switch Assy.	21	- 61	TO-14303-A	Bolt	7	- 57
TO-11462	Gasket	20	- 57	TO-14304	Nut	7	- 57
TO-11512-A	Link	16	- 57	TO-14306	Washer	7	- 57
TO-11515-A	Lever	19	- 57	TO-14431	Cable Assy.	27	- 57
A-TO-11652-1	Switch Assy.	39	- 87	TO-14433	Support	24	- 57
A-TO-11653-A	Wiring Assy.	20	- 85	A-TO-14454-C	Sleeve	22	- 85
A-TO-11655	Clip	13	- 85	A-TO-14456	Connector & Sleeve Assy.	12	- 85
A-TO-11656	Clip	16	- 85	A-TO-14487	Connector Assy.	21	- 85
TO-12024	Coil Assy.	28	- 59	TO-14495	Harness Assy.	23	- 57
TO-12026	Nipple	32	- 59	TO-14496	Harness Assy.	3	- 57
TO-12100	Distributor Assy.	36	- 59	TO-14498	Harness Assy.	23	- 57
TO-D12100	Distributor Assy.	18	- 112	NS A-TO-14526	Fuse		- 85
TO-12100-A	Distributor Assy.	36	- 59	A-TO-14585	Clip	27	- 87
TO-12102	Clamp Assy.	34	- 59	TO-16312	Fender Assy.	1	- 17
TO-12108	Seal	33	- 59	TO-16450-1	Step Assy.-R.H.	14	- 80
TO-12113	Nipple	37	- 59	TO-16451-1	Step Assy.-L.H.	14	- 80
TS-12143	Gasket	1	- 103	TO-16452-A	Bracket	12	- 80
TO-12283	Wire Assy.	40	- 59	TO-16461	Clip	6	- 80
TO-12284	Wire Assy.	41	- 59	TO-16605	Clip	10	- 73
TO-12285	Wire Assy.	32	- 59	TO-16610	Clamp & Lever Assy.	13	- 73
TO-12286	Wire Assy.	42	- 59	TO-16611	Bumper	38	- 25
TS-12286	Wire Assy.	40	- 61	TO-16613-A	Panel Assy.-L.H.	7	- 73
TO-12289	Wire Assy.-Coil	30	- 59	TO-16615-A	Panel Assy.-R.H.	7	- 73
TO-12405	Spark Plug	39	- 59	TO-16624-B	Hood Top Panel Assy.	1	- 73
TS-12405-1	Spark Plug	39	- 59	TO-16660-A	Name Plate-R.H.	12	- 73
TO-12410	Gasket	38	- 59	TO-16660-B	Name Plate-R.H.	12	- 73
A-TO-13005-1	Headlamp Assy.-R.H.		- 85	TO-16661-A	Name Plate-L.H.	12	- 73
A-TS-13005	Headlamp Assy.-R.H.		- 87	TO-16661-B	Name Plate-L.H.	12	- 73
A-TO-13006-1	Headlamp Assy.-L.H.		- 85	TO-16938	Cover Assy.	9	- 57
A-TS-13006	Headlamp Assy.-L.H.		- 87	TO-16943	Bolt	6	- 73
A-TO-13007	Bulb Assy.	2	- 85	TO-16948	Clip		- 57
A-TS-13007	Bulb Assy.	2	- 87	NS TO-17003	Shipping Kit		- 81
A-TO-13015	Retainer	5	- 85	TO-17005-A	Tool Tray	17	- 73
A-TO-13022	Bolt	6	- 85	TO-17014	Wrench		- 81
A-TO-13034	Ring	3	- 85	TO-17016-1	Wrench		- 81
A-TO-13035-1	Worklamp Assy.	24	- 87	TO-17018-1	Wrench		- 81
A-TS-13035	Worklamp Assy.		- 87	TO-17026	Wrench		- 81
A-TO-13045	Bezel	1	- 85	TO-17028	Bar		- 81
A-TO-13075	Wire Assy.	7	- 85	TO-17040	Crank		- 81
A-TO-13102	Reinforcement	9	- 85	A-TO-17081	Screw		- 81
A-TO-13160-1	Wiring Assy.	17	- 85	A-TO-17083	Adapter		- 81
A-TO-13161	Retainer-Fuse		- 85	A-TO-17084	Washer		- 81
A-TO-13162	Washer-Fuse		- 85	A-TO-17125	Grease Gun		- 81
A-TO-13163	Spring-Fuse		- 85	A-TO-17128-A	Adapter		- 81
A-TO-13166	Insulator Fuse		- 85	A-TO-17667	Clamp	19	- 85
A-TO-13168	Wire Assy.		- 85	A-TO-17668-A	Clip	18	- 81
A-TO-13169	Wire Assy.		- 85	A-TO-17669	Clamp	14	- 85
A-TO-13172	Wire	41	- 87	A-TO-17671	Wire Assy.	11	- 85
A-TO-13410-1	Lamp Assy.		- 87	A-TO-17674	Clamp	15	- 85
A-TS-13410	Lamp Assy.		- 87	TO-18196	Spring	31	- 51
A-TO-13411	Bracket Assy.	28	- 87	TO-18215	Tube	53	- 53
A-TO-13431	Wire	40	- 87	TO-D18215	Tube	11	- 112
A-TO-13432	Switch	25	- 87	TO-18215-B	Tube	45	- 53
A-TO-13433	Strap	4	- 85	TO-D18375	Kit-Carburetor		- 112
A-TO-13434	Screw-Oval Head	1	- 85	TO-18375-A	Kit-Gasket		- 49
A-TO-13435	Nut	38	- 87	TO-18375-B	Kit-Gasket		- 49
A-TO-13436	Wire	25	- 87	TO-18376	Kit-Gasket		- 49
A-TO-13437	Wire	25	- 87	TO-D18376	Kit-Gasket		- 49
A-TO-13445	Lens	30	- 87	TO-18621	Body	10	- 41
A-TO-13446	Clip	32	- 87	TO-18647	Tube	12	- 41
A-TO-13447	Gasket	31	- 87	TO-18648	Washer	6	- 41
A-TO-13448	Door Assy.	33	- 87	TO-18660	Oil Filter Cover & Base.		- 41
A-TO-13460	Cable Assy.	35	- 87	TS-18661	Gasket	14	- 103
A-TO-13466	Bulb	34	- 87	TO-18662-2	Element	30	- 41
A-TS-13466	Bulb	34	- 87	TO-18662-A	Element	5	- 41
A-TO-13468	Support Assy.	29	- 87	TO-18664	Gasket	15	- 41
A-TO-13470-1	Bracket-R.H.	26	- 87	TO-18665	Base	13	- 41
A-TO-13471-1	Bracket-L.H.	26	- 87	TO-18675	Gasket	2	- 41
A-TO-13472	Medallion-R.H.	8	- 85	TO-18676	Tube Assy.	15	- 51

TRACTOR NUMERICAL PARTS INDEX (CONT.)

PART NO.	DESCRIPTION	REF.	PAGE	PART NO.	DESCRIPTION	REF.	PAGE
TO-18676-A	Tube Assy.	15	- 51	NS 55951	Rod-Connecting	5	- 101
TO-18677	Spacer	7	- 41	55970	Wheel-Camshaft Chain	34	- 99
TO-18687	Cover Assy.	3	- 41	55971	Wheel-Crankshaft Chain	33	- 99
NS TO-18688	Gasket-Oil Filter	8	- 41	56182	Body	13	- 107
NS TO-18689	Gasket-Oil Filter	4	- 41	56203	Sleeve-Cylinder	14	- 101
TO-18691	Screw	1	- 41	56205	Sleeve-Cylinder	14	- 101
TO-18695	Gasket	11	- 41	56211	Tab Washer	7	- 101
22256	Generator Assy.	-	- 65	56212	Bolt	8	- 101
22259	Generator Assy.	-	- 65	56214	Gasket	11	- 107
22261	Generator Assy.	-	- 65	56216	Camshaft	43	- 99
22420	Generator Assy.	-	- 65	56237	Gasket	14	- 107
25038	Starter Assy.	-	- 69	56243	Stud	12	- 107
25519	Starter Assy.	-	- 69	56285	Gasket	9	- 101
27378	Plug-Core	-	- 93	56286	Gasket	9	- 101
27670	Shim	20	- 99	56287	Gear-Flywheel Ring	9	- 97
30123	Packing	9	- 97	56289	Cover-Timing	24	- 99
31083	Lock Assy.	13	- 59	56293	Plate	5	- 99
S-31742	Screw	31	- 59	56294	Screw	26	- 99
32307	Washer	40	- 99	56295	Spring	26	- 99
S-33783	Nut	3	- 49	56296	Seal-Dust	16	- 99
S-34801	Washer-Lock	1	- 51	56306	Bearing-Needle	15	- 99
S-34810	Washer-Lock	18	- 15	56311	Plate	3	- 99
S-34906	Washer	3	- 41	56313	Weight Assy.	7	- 99
35249	Spring	3	- 31	56315	Pin-Fulcrum	8	- 99
35253	Nut	5	- 31	56319	Cup and Shaft Assy.	9	- 99
37053	Regulator	4	- 59	56330	Pulley-Crankshaft	22	- 99
37061	Regulator	4	- 59	56335	Tube	-	- 97
37140	Regulator	4	- 59	56342	Bearing-Main	51	- 97
38013-C	Warning Light	46	- 61	56342/2	Bearing-Main-.020"	21	- 97
S-38631	Screw	33	- 87	56342/3	Bearing-Main-.030"	21	- 97
40084	Distributor Assy.	-	- 71	56342/4	Bearing-Main-.040"	21	- 97
40146	Distributor Assy.	-	- 71	56351	Oil Filter Assy.	19	- 103
40243	Distributor Assy.	-	- 71	56370	Screw-Cap	32	- 99
41325	Bolt	5	- 31	56384	Screw-Cap	38	- 99
41326	Strut	7	- 31	56388	Plate	36	- 99
42537	Pin	6	- 31	56389	Gasket	37	- 99
42880	Screw-Locking	42	- 95	56391	Seal-Oil	28	- 99
S-43368	Screw & Lockwasher	11	- 49	56392	Plate	39	- 99
44370	Bushing-Rocker	43	- 95	56393	Jaw-Starter	19	- 99
44473	Plug-Core	4	- 97	56405	Bushing	37	- 103
44630	Spring-Rocker	31	- 95	56406	Adapter-Distributor	2	- 103
45012	Coil	28	- 61	56417	Bracket Assy.	31	- 97
45918	Washer-Thrust	23	- 97	56418	Distance Piece	28	- 97
45919	Washer-Thrust	19	- 97	56434	Spring-Rocker	17	- 93
45985	Circlip	13	- 101	56521	Retainer-Oil Seal	7	- 97
46032	Plate	4	- 31	56522	Shim-.004	35	- 99
46172	Plug-Core	27	- 99	56523	Shim-.006	35	- 99
46653	Nut-Lock	10	- 105	56524	Plate-Locating	11	- 97
48648	Spring	8	- 31	56526	Screw-Cap	12	- 97
48650	Spring	8	- 31	56541	Fan Assy.	1	- 107
49314	Plate	17	- 105	56551	Valve-Inlet	36	- 95
49315	"C" Spring	18	- 105	56561	Stud	13	- 93
49320	Washer	23	- 105	56574	Screw-Cap	31	- 103
49321	Plate	21	- 105	56575	Washer-Tab	25	- 99
49322	Gasket	22	- 105	56583	Dipstick Assy.	41	- 99
49323	"C" Spring	20	- 105	56664	Screw-Union	42	- 99
49325	Washer	12	- 105	56668	Spring-Valve	39	- 95
49326	Washer	13	- 105	56675	Nut	15	- 93
51681	Lever	7	- 31	56712	Plug	-	- 95
52337	Washer-"C" Sunk	42	- 95	56724	Arm	10	- 99
NS 55675-S	Cap-Center Bearing	18	- 97	56765	Plug-Core	3	- 97
NS 55676-S	Cap-Front Bearing	17	- 97	56837	Pulley-Generator	2	- 65
NS 55677-S	Cap-Rear Bearing	14	- 97	56939	Shaft & Lever Assy.	5	- 107
55810	Sealing Block-Front	34	- 103	57008	Shaft-Governor	12	- 99
55822	Pedestal-Drilled	27	- 95	57030	Body-Thermostat	5	- 93
55823	Pedestal-Plain	27	- 93	57042	Elbow	1	- 93
55873	Spring-Rocker	25	- 95	57071	Gasket	14	- 93
55941	Stud	28	- 95	57073	Connection	5	- 93
55942	Stud	2	- 99	57110	Locknut	30	- 95
55943	Gasket	23	- 93	57121	Screw-Cap	16	- 97
55945	Stud	18	- 93	57130	Screw-Taper Cap	11	- 99
55950	Cover Assy.	22	- 93	57151	Chain-Duplex	4	- 99

NOTE: N.S. Indicates - NOT SERVICED - Part number appears in this catalog for reference only.

TRACTOR NUMERICAL PARTS INDEX (CONT.)

PART NO.	DESCRIPTION	REF.	PAGE	PART NO.	DESCRIPTION	REF.	PAGE
57196	Deflector-Oil	31	- 99	59615	Body	5	- 105
57313	Oil Pump Assy.		- 103	59621	Facing Kit	1	- 31
57314	Spindle Assy.	32	- 103	59628	Washer-Spring	4	- 109
57317	Rotor-Outer	30	- 103	59629	Adapter	33	- 109
57319	Body-Oil Pump	33	- 103	59733	Head	2	- 105
57320	Cover Assy.	29	- 103	59734	Bolt-Thru	11	- 105
57658	Screw-Union	25	- 97	59735	Spring	24	- 105
57894	Screw	19	- 99	59736	Container Assy.	1	- 105
57919	Seal-Oil	8	- 97	59737	Washer	14	- 105
57933	Tappet-Valve	35	- 95	59738	Washer-Felt	16	- 105
57964	Cylinder Block Assy.	1	- 97	59739	Washer-Steel	4	- 105
57967	Head-Cylinder	16	- 93	59740	Washer-Dished	15	- 105
58061	Rod-Control	28	- 53	59741	Valve Assy.	25	- 105
58062	Yoke-End	32	- 55	59833	Engine Assy.		- 93
58077	Pin-Clevis	28	- 53	59836	Tube-Choke	24	- 109
58081	Shaft-Rocker Arm	24	- 93	59870	Stud	3	- 103
58122	Body-Oil Filter	6	- 103	59871	Stud	16	- 103
58141	Piston Assy.		- 101	59872	Stud	4	- 103
58142	Crankshaft	22	- 97	59873	Stud	11	- 93
58294	Plug-Drain	25	- 103	59875	Stud	17	- 99
58334	Pin-Groove	33	- 95	59876	Stud	2	- 97
58335	Felt	15	- 97	59877	Plug-Core		- 93
58393	Rod Assy.-Connecting		- 101	59878	Washer-Fibre	33	- 97
58517	Barrel	7	- 109	59881	Washer-Fibre	24	- 97
58518	Throttle	1	- 109	59882	Washer-Fibre	24	- 97
58519	Spindle	8	- 109	59883	Gasket	24	- 103
58520	Screw	2	- 109	59884	Washer	19	- 93
58521	Stop-Throttle	9	- 109	59885	Washer	21	- 93
58522	Lever-Throttle	10	- 109	59888	Washer	8	- 99
58523	Washer-Spacer	12	- 109	59889	Key-Woodruff	38	- 103
58524	Screw	6	- 109	59890	Sleeve	8	- 93
58525	Spring	5	- 109	59891	Nut-Spindle	14	- 109
58526	Screw	45	- 109	59892	Ball	6	- 105
58527	Spring	44	- 109	59893	Dowel	5	- 97
58528	Needle and Seating	42	- 109	59894	Dowel	3	- 99
58529	Washer	43	- 109	59895	Dowel	20	- 97
58530	Float	40	- 109	59896	Clip-Pipe	5	- 93
58531	Tube-Choke	24	- 109	60070	Bushing	6	- 101
58532	Gasket	41	- 109	NS 60094	Rod-Connecting	5	- 101
58533	Screw	3	- 109	60128	Ring-Compression	1	- 101
58534	Strangler	26	- 109	60129	Ring-Scraper	2	- 101
58535	Spring	29	- 109	60133	Ring-Scraper Slotted	4	- 101
58536	Bearing	27	- 109	NS 60134	Piston	3	- 101
58537	Bowl	25	- 109	60219	Flywheel	10	- 97
58538	Spindle and Pin	17	- 109	60253	Ring	4	- 101
58539	Flap	16	- 109	60254	Pin	12	- 101
58540	Sleeve-Spindle	19	- 109	60313	Seal	8	- 107
58541	Spring	20	- 109	60316	Ring	2	- 101
58542	Plate	21	- 109	60379	Cover		- 61
58543	Tube	18	- 109	60414	Spring	7	- 105
58544	Rod	11	- 109	60416	Plug	8	- 105
58545	Screw	28	- 109	60459	Ring	1	- 101
58546	Main Jet	31	- 109	60561	Washer	1	- 65
58547	Washer	30	- 109	60733	Collar-End	32	- 95
58548	Valve	36	- 109	60841	Bearing-Rod	10	- 101
58549	Packing	34	- 109	60841/2	Bearing-Rod-.020	10	- 101
58550	Nut-Packing	35	- 109	60841/3	Bearing-Rod-.030	10	- 101
58702	Collar	40	- 95	60841/4	Bearing-Rod-.040	10	- 101
NS 58704	Gage-Washer	38	- 95	60898	Tube Assy.	7	- 93
NS 58705	Washer-Sealing	37	- 95	60901	Pin-Vent Valve	9	- 93
58923	Guide-Valve		- 93	60966	Washer-Vent Valve	9	- 93
59323	Oil Sump	22	- 103	60974	Manifold	10	- 93
59381	Sealing Pad	35	- 103	61049	Stud	18	- 103
59383	Oil Filter		- 105	61128	Rod-Valve Rush	34	- 95
59387	Drive Shaft	39	- 103	61312	Gasket	23	- 95
59389	Gear Assy.	36	- 103	61478	Tap Drain	32	- 97
59551	Main Jet Assy.		- 109	61849	Gasket	1	- 99
59552	Washer	32	- 109	70395	Element	19	- 105
59553	Tube	39	- 109	S-72200	Pin	9	- 83
59554	Jet-Air	38	- 109	S-73204	Screw	32	- 87
59555	Plug-Drain	37	- 109	S-74115	Plug	24	- 27
59608	Washer-Sealing	3	- 105	S-74121	Plug	10	- 17

XIV NOTE: N.S. Indicates - NOT SERVICED - Part number appears in this catalog for reference only.

TRACTOR NUMERICAL PARTS INDEX (CONT.)

PART NO.	DESCRIPTION	REF.	PAGE	PART NO.	DESCRIPTION	REF.	PAGE
S-74127	Plug	4	- 10	132930	Screw		- 63
S-88367	Stud	2	- 49	134556	Nut	5	- 67
S-97011	Yoke	33	- 51	141540	Screw	26	- 65
100242	Balance Piece		- 107	141543	Screw	31	- 65
100380	Stud	2	- 99	149110	Washer	11	- 69
100407	Pulley	2	- 65	158250	Washer		- 69
100408	Distance Piece	28	- 97	163667	Washer	18	- 71
100649	Plate		- 95	165040	Nut	24	- 71
100652	Valve Exhaust	36	- 95	180620	Nut	1	- 65
100750	Screw	26	- 103	180740	Nut-Shaft	1	- 65
100753	Ring	1	- 101	185015	Washer	1	- 71
100760	Distance Piece	6	- 107	185187	Washer-Lock	1	- 65
100763	Retainer	4	- 107	188818	Sleeve	4	- 59
100766	Washer	3	- 107	189237	Bearing	6	- 65
100767	Bracket Assy.	31	- 97	189272	Bearing	13	- 71
100858	Seal Assy.	9	- 107	189295	Bearing	13	- 71
100978	Bearing Ball	6	- 107	189296	Bearing	13	- 71
101092	Washer	6	- 107	200182	Clip	16	- 63
101132	Bearing Housing Assy.		- 107	200241	Body-Water Pump	13	- 107
101133	Hub-Fan	3	- 107	200287	Housing	5	- 107
101134	Pulley Assy.-Fan	2	- 107	200361	Carburetor Assy.		- 109
101135	Spacer	3	- 107	200363	Carburetor Assy.		- 109
101136	Spindle	6	- 107	200570	Piston Assy.		- 101
101146	Cotter	3	- 107	200673	Body	5	- 95
101381	Impeller	10	- 107	200676	Gear Ring	9	- 97
101408	Bolt-Connecting Rod	8	- 101	200781	Body-Thermostat	5	- 95
101483	Washer	1	- 65	203148	Brush Kit	20	- 65
101648	Cover		- 97	220258	Bushing		- 65
101649	Gasket	25	- 99	227291	Coil Field	15	- 65
101651	Joint		- 107	227294	Armature Generator	11	- 65
101676	Bolt	18	- 95	227305	Brush Set	20	- 65
101871	Valve-Inlet	36	- 95	227349	Box of Sundries		- 65
101972	Tube Assy.		- 95	227613	Bracket	25	- 65
101975	Cover Plate		- 95	227627	Band-Cover	18	- 65
101976	Gasket		- 95	227633	Bracket	3	- 65
102097	Rocker Assy.	26	- 95	227640	Coils	15	- 65
102098	Rocker Assy.	29	- 95	227693	Armature	11	- 65
102314	Cover		- 61	227713	Bushing		- 65
102321	Thermostat	2	- 93	227726	Sundry Set		- 65
102467	Insert	36	- 95	227727	Armature-Generator	11	- 65
102627	Cap Assy.	7	- 103	227732	Bracket	3	- 65
102664	Insert	36	- 95	227733	Bracket	25	- 65
102700	Rod-Push	34	- 95	228066	Bolt	30	- 65
102711	Grommet		- 61	228067	Armature	11	- 65
102785	Screw	9	- 103	228159	Spring	29	- 65
102806	Lever Assy.	12	- 99	228469	Pulley	2	- 65
102808	Arm	10	- 99	228482	Frame	3	- 65
102809	Bumper Spring	26	- 99	228483	Cover	25	- 65
102810	Rod-Control	28	- 53	228494	Field Coil	15	- 65
102969	Flywheel	10	- 97	238367	Oiler-Generator		- 65
103214	Bracket	31	- 97	238370	Oiler-Generator		- 65
115380	Screw	9	- 67	238563	Washer	4	- 65
115903	Screw	23	- 67	238564	Washer	5	- 65
120214	Washer	5	- 67	238566	Cap	23	- 65
120217	Washer	31	- 65	238567	Bushing		- 65
120614	Nut	9	- 63	238576	Boot		- 61
120622	Nut	24	- 71	238742	Plug	16	- 65
120638	Washer	30	- 65	238743	Plug	16	- 65
121743	Nut	14	- 63	249694	Box of Sundries		- 65
121749	Screw	16	- 71	249695	Box of Sundries		- 69
121832	Screw	15	- 71	250322	Cover Band	8	- 69
121841	Washer	24	- 63	250599	Cap-Shaft-Starter	10	- 69
122159	Screw	23	- 67	250626	Bushing-Starter	10	- 69
124545	Key	11	- 63	250678	Bushing-Starter		- 69
124546	Key	12	- 67	251089	Coil-Field	7	- 69
125947	Plug	22	- 71	251104	Bracket-Starter	10	- 69
131044	Washer	26	- 65	251108	Brushes-Starter		- 69
131183	Washer	2	- 67	251109	Spring	24	- 69
131200	Washer-Lock		- 65	251128	Bracket	1	- 69
131949	Screw	7	- 70	251356	Armature	12	- 69
132911	Screw	2	- 67	255459	Bolt	9	- 69
132926	Screw		- 67	255491	Bushing	10	- 69

TRACTOR NUMERICAL PARTS INDEX (CONT.)

PART NO.	DESCRIPTION	REF.	PAGE	PART NO.	DESCRIPTION	REF.	PAGE
255557	Band	8	- 69	415298	Cap	1	- 71
255659	Brush Kit		- 69	415474	Spring	11	- 71
255806	Nut	18	- 69	415729	Weight	12	- 71
255814	Coupling	20	- 69	416412	Spring	11	- 71
255815	Ring	19	- 69	416517	Shaft & Action Plate	13	- 71
255816	Washer		- 69	416551	Shaft & Action Plate	13	- 71
255820	Circlip	22	- 69	419130	Spring	11	- 71
255858	Coil-Field	7	- 69	451608	Screw	27	- 65
256027	Spring	16	- 69	500047	Circlip	6	- 107
256112	Bushing		- 69	500051	Bolt	10	- 107
256255	Frame Assy.	1	- 69	500052	Nut	10	- 107
256259	Coil-Field	7	- 69	500074	Screw	3	- 109
256299	Sleeve	17	- 69	500075	Barrel	7	- 109
256320	Peg	18	- 69	500076	Spindle & Pin	17	- 109
256331	Cover	10	- 69	500077	Bowl	25	- 109
256482	Nut	18	- 69	500079	Washer	32	- 109
256548	Armature	12	- 69	500080	Valve	36	- 109
256748	Frame Assy.	10	- 69	500081	Adjustment Assy.		- 109
256762	Sundry Set		- 69	500140	Tube	39	- 109
270004	Spring	24	- 69	500141	Main Jet	31	- 109
270326	Spring	21	- 69	500414	Decarbonizing Set		- 95
291035	Spring	16	- 69	500415	Decarbonizing Set		- 95
291042	Nut	18	- 69	500463	Washer		- 97
291043	Spring	21	- 69	500464	Washer	42	- 99
291101	Pinion & Barrel	14	- 69	500545	Cylinder Block Assy.	1	- 97
291347	Pinion & Barrel Assy.	14	- 69	500716	Engine Assy.	1	- 95
291350	Sleeve		- 69	500720	Barrel Carburetor	7	- 109
291351	Sleeve	17	- 69	500721	Bowl Carburetor	25	- 109
291352	Drive Assy.	13	- 69	500724	Valve-Needle	36	- 109
291362	Plate	17	- 69	500725	Needle & Setting	42	- 109
291380	Drive Assy.	13	- 69	500726	Adjustment Assy.		- 109
300074	Manifold	10	- 95	804000	Lockwasher	1	- 63
300101	Cylinder Block Assy.	1	- 97	804076	Wick		- 63
300385	Camshaft	43	- 99	806915	Nut	1	- 63
300501	Head Assy.	16	- 95	809062	Pin		- 63
312305	Key	13	- 59	809551	Washer	21	- 63
318805	Lens Assy.	50	- 61	809593	Pin	3	- 63
8-351103	Nut	1	- 25	809614	Pin	33	- 65
8-351119	Nut	15	- 25	809642	Holder	19	- 63
8-351406	Washer	14	- 13	809644	Spring	28	- 65
8-351963	Rivet	8	- 10	809658	Spring	29	- 65
8-353051	Plug	11	- 11	809688	Lead	27	- 65
8-353055	Plug	13	- 3	809698	Plate	32	- 65
8-353064	Plug	13	- 83	809824	Spring	33	- 65
8-353065	Plug	30	- 31	809945	Washer	9	- 63
8-353075	Ball	8	- 13	809961	Washer	4	- 63
8-353079	Ball	11	- 27	810074	Shim-.005	19	- 71
8-355000	Screw & Lockwasher	19	- 49	810078	Shim-.010	19	- 71
8-355001	Screw Assy.	24	- 49	810226	Holder	23	- 67
8-355940	Nut	49	- 53	810620	Bushing		- 67
8-356211	Washer	14	- 49	811735	Cap Assy.	1	- 70
8-356390	Washer-Flat		- 112	811912	Washer	14	- 17
8-356392	Washer-Fuel Oil		- 112	812015	Pin		- 63
8-358043	Plug	27	- 49	812016	Pin		- 63
400843	Sundry Set		- 71	812823	Bushing		- 63
404435	Bottom & Spring Assy.	1	- 71	815018	Bolt	30	- 65
405319	Gasket	24	- 71	816784	Screw	5	- 70
407010	Connector		- 71	816803	Wick	8	- 70
407019	Screw	24	- 71	817216	Frame Assy.	25	- 63
407044	Connector	7	- 71	817220	Gasket	22	- 63
407050	Contact Set	4	- 71	817224	Collar	1	- 63
408120	Nut	28	- 61	817313	Pin		- 63
408355	Rotor	2	- 71	817314	Pin		- 63
410590	Bushing	17	- 71	817363	Nut	25	- 71
410600	Nut	1	- 71	817529	Frame Assy.	25	- 63
415034	Clamp Assy.	33	- 61	817532	Clamp	34	- 65
415046	Cam Assy.	10	- 71	819104	Retainer	5	- 63
415057	Insulator	24	- 71	819639	Wick	8	- 70
415058	Insulator	24	- 71	820524	Plate	23	- 63
415117	Spring	15	- 71	821604	Button		- 70
415158	Lever Distributor	33	- 61	954378	Bearing	6	- 63
415293	Cover	3	- 71	972722	Harness Assy.	23	- 61

TRACTOR NUMERICAL PARTS INDEX (CONT.)

PART NO.	DESCRIPTION	REF.	PAGE	PART NO.	DESCRIPTION	REF.	PAGE
974361	Harness-Wire	23	- 61	1912008	Gasket	7	- 63
974372	Cable Assy.	27	- 61	1912435	Frame Assy.	1	- 67
979440	Harness Complete	23	- 61	1912438	Frame	3	- 63
1838568	Washer	2	- 67	1912439	Bracket		- 65
1839345	Bushing		- 67	1912440	Pulley	2	- 63
1843646	Screw	13	- 63	1912474	Shaft & Weight Plate	13	- 71
1847289	Support	23	- 71	1912476	Gear	21	- 71
1847643	Plate	6	- 70	1913179	Bolt		- 65
1847647	Stud	25	- 71	1913554	Field Coil Assy.	15	- 63
1848528	Spring	15	- 67	1914142	Bushing	24	- 71
1855960	Fram Gen. D.E.	3	- 63	1914144	Clip	25	- 71
1858751	Stud	17	- 63	1914309	Seal		- 70
1858753	Washer	14	- 63	1914491	Insulator	15	- 63
1858754	Terminal & Lead Assy.	16	- 63	1914618	Shoe	15	- 63
1859033	Ring	19	- 67	1916461	Plate	20	- 67
1859035	Spring	16	- 67	1916805	Bushing	25	- 71
1859053	Pinion & Barrel Assy.	14	- 67	1916806	Stud	25	- 71
1865182	Plug		- 67	1917164	Armature	11	- 63
1869704	Condenser	7	- 70	1917956	Mainshaft & Weight Plate		- 112
1872638	Band	18	- 63	1917958	Cam Advance		- 112
1878079	Drive Assy.	13	- 67	1919674	Cam	10	- 70
1878405	Spacer	25	- 71	1920306	Shaft & Weight Plate	13	- 71
1878418	Ring	22	- 67	1920675	Armature	11	- 63
1878419	Pin	18	- 67	4011500-F	Battery	6	- 59
1878420	Drive Shaft Assy.	17	- 67	NS F600A-241	Ring	6	- 43
1878421	Spring	21	- 67	NS F600A-343	Ring	5	- 43
1880635	Oiler	3	- 63	Z120A-201	Packing	3	- 43
1880781	Washer	10	- 63	Z120A-204	Pin	9	- 43
1880902	Weight	12	- 71	Z120A-204-K	Pin	9	- 43
1880998	Brush Kit	20	- 63	Z120A-205-L	Insert	34	- 35
1881371	Weight	12	- 71	NS Z120A-300	Sleeve	2	- 43
1881409	Washer	14	- 63	Z120A-301	Gasket	2	- 33
1881818	Armature	12	- 67	NS Z120A-302	Ring	4	- 43
1881833	Frame Assy.	10	- 67	NS Z120A-303	Ring	5	- 43
1881835	Spring	24	- 67	NS Z120A-401	Piston	7	- 43
1881838	Brush Kit		- 67	Z120A-4072	Head Assy.	17	- 112
1881839	Lead	23	- 67	Z120A-6002	Cylinder Block Assy.	12	- 37
1881841	Pin		- 67	Z120A-6005-S	Cylinder Block Short		- 39
1881865	Stud	5	- 67	Z120A-6011-C	Head Assy Short		- 35
1881866	Washer	5	- 67	Z120A-6012	Head Assy.	30	- 35
1881867	Washer	5	- 67	Z120A-400	Piston	15	- 112
1881869	Screw	6	- 67	NS Z129A-202	Ring	6	- 43
1881870	Shoe	7	- 67	Z129A-204	Gasket Vent	43	- 35
1882908	Coil-L.H.	7	- 67	Z129A-205-L	Insert	34	- 35
1882909	Coil-R.H.	7	- 67	NS Z129A-300	Sleeve Cylinder	2	- 43
1884619	Spring Weight		- 112	NS Z129A-301	Ring-Piston	4	- 43
1885090	Bushing	14	- 63	NS Z129A-400	Piston	7	- 43
1885531	Screw-Bracket		- 59	Z129A-405	Gasket	10	- 37
1885557	Plate	9	- 70	Z129A-3030	Vent Tube & Cap Assy.	44	- 35
1885558	Washer-Lock	9	- 70	Z129A-4022	Head Assy.	30	- 35
1886496	Screw	24	- 63	Z129A-5000	Cover Assy.	1	- 33
1886508	Spring	11	- 71	Z129A-6002	Cylinder Block Assy.	12	- 37
1887130	Spring	11	- 71	6SA-101	Ring	10	- 43
1887889	Band Assy.	8	- 67	G157B-307	Gasket	29	- 41
1889966	Gasket		- 70	G157B-2032	Retainer Assy.	24	- 37
1889967	Spring	15	- 71	G157B-3060	Cover Assy.	28	- 41
1889999	Support	15	- 71	R600B-234	Packing	37	- 39
1900119	Pin	3	- 70	W4B-108	Gasket	24	- 41
1900428	Pin	20	- 71	UB-110	Washer	3	- 33
1903092	Washer	5	- 67	Z120B-200	Plug	25	- 41
1904370	Screw	10	- 63	Z120B-201	Nut	26	- 41
1904376	Washer	24	- 71	Z120B-203	Plug	55	- 39
1904377	Washer	27	- 65	NS Z120B-300	Cap	34	- 39
1904661	Washer	14	- 63	NS Z120B-301	Cap	35	- 39
1905590	Rotor	2	- 70	NS Z120B-400	Cap	36	- 39
1909003	Bushing	17	- 71	Z120B-401	Gasket	53	- 39
1909180	Bracket	29	- 59	Z120B-402	Gasket	31	- 37
1909206	Clip		- 59	Z120B-600	Oil Pan	32	- 41
1911097	Plug		- 63	Z120B-3060	Cover Assy.	28	- 41
1911119	Contact Set	4	- 70	Z120B-5002	Cover Assy.	4	- 37
1911257	Cam	10	- 70	Z120B-5010	Oil Pan Assy.	32	- 41
1911263	Plate	8	- 63	Z129B-5000	Oil Pan Assy.	54	- 39

NOTE: N.S. Indicates - NOT SERVICED - Part number appears in this catalog for reference only.

TRACTOR NUMERICAL PARTS INDEX (CONT.)

PART NO.	DESCRIPTION	REF.	PAGE	PART NO.	DESCRIPTION	REF.	PAGE
3X-B2B-110	Washer	38	- 39	Z120K-5001	Water Pump Assy.		- 47
A600C-204	Thresher	28	- 45	Z120K-5002	Body Assy.	13	- 47
D600C-204	Washer	32	- 45	6EK-215	Dowel	30	- 37
Z120C-200	Plate	30	- 45	A600L-202	Seal	2	- 37
Z120C-300	Gear		- 45	F400L-223	Spring	45	- 39
Z120C-500	Crankshaft Assy.	35	- 45	G157L-204	Tube	18	- 41
Z120C-4000	Flywheel Assy.	40	- 45	G157L-205	Support	36	- 41
Z120C-4020	Flywheel Assy.	40	- 45	G157L-304	Cover	22	- 41
Z129C-202	Washer Thrust	34	- 45	G157L-2000	Tube Assy.	34	- 41
Z129C-500	Crankshaft	35	- 45	K404L-210	Washer	21	- 37
7TC-215	Dowel	29	- 37	Z120L-200	Cover	39	- 39
10EC-204	Shim	33	- 45	Z120L-204	Gasket	40	- 39
10EC-205	Shim	33	- 45	Z120L-206	Shim	42	- 39
Z120D-200	Lock	12	- 43	Z120L-208	Screw	26	- 41
Z120D-201	Bolt	12	- 43	Z120L-213	Tube	18	- 41
Z120E-400	Gasket	36	- 35	Z120L-2010	Gear & Shaft Assy.	41	- 39
Z120E-500	Manifold	37	- 35	Z120L-2030	Tube Assy.	17	- 47
ZA-120E-203	Cover Manifold	7	- 112	Z120L-2050	Indicator Assy.	21	- 37
ZA-120E-204	Gasket Manifold	6	- 112	Z120L-2070	Tube Assy.	34	- 41
ZA120E-400	Shield	8	- 112	Z120L-3000	Body Assy.	11	- 37
ZA-120E-5001	Manifold	4	- 112	Z120L-3040	Screen Assy.	23	- 41
Z129E-5001	Manifold	37	- 35	Z120L-4002	Body Assy.	44	- 39
F400G-211	Bushing	8	- 43	Z129L-3010	Oil Strainer Assy.	52	- 39
H260G-200	Bushing		- 39	Z129L-4000	Tube & Support Assy.	50	- 39
6TG-101	Pin	31	- 45	10EL-227	Support	22	- 37
Z120H-203	Gear	43	- 39	W5L-213	Washer	45	- 39
Z120H-300	Gear	29	- 45	Z120-0-200	Jaw	25	- 45
Z120H-300-F	Gear	29	- 45	D600S-207	Seal	6	- 37
Z120H-300-FF	Gear	29	- 45	F124S-214	Pin	18	- 43
Z120H-300-G	Gear	29	- 45	H260S-206	Screw	3	- 37
Z120H-301	Gear	21	- 45	N62S-202	Spring		- 37
Z120H-301-F	Gear	21	- 45	Y400S-311	Plate	19	- 43
Z120H-301-FF	Gear	21	- 45	Y400S-2340	Weight	18	- 43
Z120H-301-G	Gear	21	- 45	Z120S-202	Bearing	5	- 37
12CH-208	Washer	20	- 43	NS Z120S-203	Arm		- 37
G157I-202	Screw	16	- 33	NS Z120S-205	Shaft		- 37
Y400I-203	Plate	23	- 45	Z120S-207	Seal	7	- 37
Y400I-205	Pin	24	- 33	Z120S-2220	Driver Assy.-Governor	15	- 43
Y400I-215	Spring	20	- 33	Z120S-3030	Lever-Governor		- 37
Z120I-201	Support	11	- 33	Z120S-3070	Gov. Shaft & Upper Race.	14	- 43
Z120I-204	Spring	7	- 33	Z120S-3080	Governor Assy.		- 43
Z120I-205	Spring	10	- 33	Z120S-3111	Governor Control Lever	8	- 37
Z120I-206	Rod	17	- 33	Z120T-101	Sleeve & Piston Kit	1	- 43
Z120I-207	Retainer	23	- 33	Z120T-103	Piston Ring Kit		- 43
Z120I-208	Cap	25	- 33	Z120T-122	Rod & Cap Kit	11	- 43
Z120I-209	Stud	5	- 33	Z120T-123	Valve Set	19	- 33
Z120I-210	Guard	21	- 33	Z120T-131	Valve Set	19	- 33
Z120I-211	Gasket	22	- 33	Z120T-140	Roto Cap Valve Kit		- 35
Z120I-212	Plug	6	- 33	Z120T-144	Sleeve & Piston Assy.	15	- 112
Z120I-214	Plug	6	- 33	Z120T-145	Valve Set	16	- 112
Z120I-235	Lock	28	- 35	Z120T-146	Valve Set	26	- 35
NS Z120I-237	Valve-Intake	16	- 112	Z120T-147	Ring Set		- 43
Z120I-402	Camshaft	24	- 45	Z120T-150	.002 Bearing Set	37	- 45
Z120I-2280	Arm Assembly-L.H.	9	- 33	Z120T-150	.010 Bearing Set	37	- 45
Z120I-2290	Arm Assy.-R.H.	8	- 33	Z120T-150	.020 Bearing Set	37	- 45
Z120I-3000	Roto Cap Assy.	27	- 33	Z120T-152	.002 Bearing Set	38	- 45
Z120I-4012	Shaft Assy.	13	- 33	Z120T-152	.010 Bearing Set	38	- 45
Z129I-201	Stud	5	- 33	Z120T-152	.020 Bearing Set	38	- 45
Z129I-206	Cap Valve	29	- 33	Z129T-102	Sleeve & Piston Kit.	1	- 43
Z129I-400	Camshaft	24	- 45	Z129T-105	Roto Cap Valve Kit		- 45
D600K-232	Seal	1	- 37	Z129T-107	Kit Roto Cap Valve		- 35
G157K-2060	Shaft & Bearing Assy.	6	- 47	Z129T-108	Valve Set	26	- 35
Y69K-220	Cap-Oil Filler	11	- 37	Z129T-109	Guide Set	33	- 35
Z120K-205	Gasket	12	- 47	Z129T-113	Ring Kit		- 43
Z120K-211	Hub	4	- 47	Z129T-117	Valve Kit	19	- 33
Z120K-304	Gasket	16	- 47	Z129T-118	.002 Bearing Set	36	- 45
Z120K-310	Pulley	3	- 47	Z129T-118	.010 Bearing Set	36	- 45
Z120K-313	Pulley	27	- 45	Z129T-118	.020 Bearing Set	36	- 45
Z120K-314	Impeller	10	- 47	Z129T-153	.002 Bearing Set	13	- 43
Z120K-3050	Support Assy.	8	- 47	Z129T-153	.010 Bearing Set	13	- 43
Z120K-3053	Works Assy.		- 47	Z129T-153	.020 Bearing Set	13	- 43
Z120K-3060	Impeller Assy.	10	- 47	Z120U-103	Gasket Kit		- 39

XVIII NOTE: N.S. Indicates - NOT SERVICED - Part number appears in this catalog for reference only.

TRACTOR NUMERICAL PARTS INDEX (CONT.)

PART NO.	DESCRIPTION	REF.	PAGE	PART NO.	DESCRIPTION	REF.	PAGE
Z129U-102	Gasket Kit	-	39	X-3253	Screw	32	- 37
VT-3218	Stud	-	39	X-3295	Screw	32	- 37
VT-3221	Retainer	45	- 39	X-3299	Screw	12	- 33
VT-3236	Tappet	18	- 33	X-3555	Screw	38	- 39
VT-3250	Gasket	25	- 37	X-3896	Screw Assy.	56	- 39
VT-3255	Gear	46	- 39	X-3897	Screw Assy.	1	- 47
VT-3298	Valve	45	- 39	X-3899	Screw & Lockwasher	51	- 39
VT-3326	Slinger	18	- 33	X-3935	Screw	19	- 43
VT-3327	Ring	5	- 47	X-3960	Screw	11	- 47
VTA-803	Cup & Shaft Assy.	17	- 43	X-3976	Screw	47	- 39
VTA-804	Seal Assy.	9	- 47	X-4032	Stud	5	- 112
X-100	Plug	38	- 35	X-4046	Stud	18	- 47
X-101-B	Plug	31	- 35	X-4049	Stud	13	- 37
X-112	Plug	31	- 35	X-4053	Stud	39	- 45
X-120	Plug	15	- 47	X-4160	Stud	14	- 37
X-137-A	Plug	18	- 37	X-4217	Stud	19	- 47
X-201	Lockwasher	5	- 112	X-5193	Nut	-	39
X-203	Lockwasher	14	- 37	X-5194	Sleeve	-	39
X-210-A	Washer	22	- 45	X-5195	Connection	48	- 39
X-211-A	Gasket	4	- 33	X-12423	Elbow	49	- 39
X-297-B	Lockwasher	42	- 45	X-14109	Gasket	26	- 37
X-320	Gasket	27	- 41	X-14231	Washer	31	- 41
X-377	Gasket	27	- 41	X-14232	Washer	21	- 41
X-388	Gasket	24	- 41	X-14240	Washer	26	- 45
X-506	Key	24	- 45	X-14260	Washer	35	- 41
X-534	Key	35	- 45	X-17019	Pin	42	- 39
X-608	Pin	18	- 43	X-17040	Pin	-	37
X-619	Pin	45	- 39	X-17045	Pin	-	37
X-1418	Rivet	-	37	X-18067	Nut	35	- 35
X-1743-A	Pin	14	- 33	X-18080	Nut	3	- 33
X-1756	Pin	33	- 39	X-18198	Nut	15	- 33
X-1791-A	Pin	-	37	X-18255	Nut	16	- 43
X-1800-C	Nut	44	- 35	X-18272	Nut	11	- 47
X-1899	Nut	42	- 45	X-19003	Stud	17	- 47
X-1901-A	Stud	20	- 37	X-19004-C	Stud	35	- 35
X-2208	Plug	17	- 37	X-19926	Stud	15	- 37
X-2211	Plug	-	39	2X-X-260	Lockwasher	11	- 47
X-2279	Screw	43	- 39	3X-X-1408	Washer	9	- 37
X-3056	Screw	16	- 37	3X-X-13013	Washer	16	- 37
X-3088	Screw	39	- 39	3X-X-18096	Nut	9	- 37
X-3203	Screw	22	- 45	24-501	Ratchet	-	49

STANDARD PARTS NUMERICAL INDEX

PART NO.	DESCRIPTION	PAGE	PART NO.	DESCRIPTION	PAGE
25-001-38	Bolt-Hex Head	57	44-001-212	Bolt-Hex Head	23
25-001-50	Bolt-Hex Head	73	44-001-231	Bolt-Hex Head	25
25-001-88	Bolt-Hex Head	5	44-001-238	Bolt-Hex Head	23
25-001-188	Bolt-Hex Head	23	44-001-250	Bolt-Hex Head	23
31-001-75	Bolt-Hex Head	97	44-001-262	Bolt-Hex Head	77
31-001-88	Bolt-Hex Head	1	44-001-362	Bolt-Hex Head	59
31-001-94	Bolt-Hex Head	51	44-001-462	Bolt-Hex Head	97
31-001-100	Bolt-Hex Head	13	50-001-112	Bolt-Hex Head	77
31-001-112	Bolt-Hex Head	59	50-001-200	Bolt-Hex Head	88
31-001-125	Bolt-Hex Head	80	62-001-100	Bolt-Hex Head	17
31-001-212	Bolt-Hex Head	99	62-001-138	Bolt-Hex Head	77
38-001-88	Bolt-Hex Head	1	62-001-288	Bolt-Hex Head	79
38-001-100	Bolt-Hex Head	29	62-001-325	Bolt-Hex Head	79
44-001-68	Bolt-Hex Head	5	62-001-531	Bolt-Hex Head	79
44-001-75	Bolt-Hex Head	53	62-001-612	Bolt-Hex Head	17
44-001-88	Bolt-Hex Head	83			
44-001-125	Bolt-Hex Head	7	31-011-88	Bolt-Carriage	80
44-001-138	Bolt-Hex Head	11	38-011-88	Bolt-Carriage	1
44-001-144	Bolt-Hex Head	97	44-011-125	Bolt-Carriage	75
44-001-150	Bolt-Hex Head	7	44-011-150	Bolt-Carriage	9
44-001-188	Bolt-Hex Head	27	50-011-125	Bolt-Carriage	88

STANDARD PARTS NUMERICAL INDEX (CONT.)

PART NO.	DESCRIPTION	PAGE	PART NO.	DESCRIPTION	PAGE
62-011-250	Bolt-Carriage	89	12-05-112	Pin-Cotter	15
44-0132-112	Stud	25	16-05-125	Pin-Cotter	79
44-0132-150	Stud	3	19-05-62	Pin-Cotter	31
44-0132-162	Stud	11	19-05-75	Pin-Cotter	9
44-0132-188	Stud	10	19-05-88	Pin-Cotter	31
25-101-44	Screw-Cap	3	25-05-125	Pin-Cotter	9
25-101-50	Screw-Cap	97	12-06-25	Rivet-Button Head	57
25-101-62	Screw-Cap	59	12-06-38	Rivet-Button Head	99
25-101-75	Screw-Cap	103	12-06-88	Rivet-Button Head	27
25-101-100	Screw-Cap	80	19-06-94	Rivet-Button Head	9
31-101-38	Screw-Cap	3	25-06-138	Rivet-Button Head	13
31-101-75	Screw-Cap	41	31-06-188	Rivet-Button Head	89
31-101-88	Screw-Cap	29	16-09-62	Key-Woodruff	3
31-101-100	Screw-Cap	80	19-09-75	Key-Woodruff	25
31-101-162	Screw-Cap	80	19-09-112	Key-Woodruff	23
31-101-238	Screw-Cap	99	25-09-100	Key-Woodruff	23
31-101-288	Screw-Cap	103	31-09-125	Key-Woodruff	77
31-101-256	Screw-Cap	99	25-15-80	Pin-Clevis	51
31-101-312	Screw-Cap	103	16-14	Washer-Lock	73
31-101-400	Screw-Cap	103	19-14	Washer-Lock	41
31-101-438	Screw-Cap	103	25-14	Washer-Lock	1
31-101-512	Screw-Cap	103	38-14	Washer-Lock	13
31-101-544	Screw-Cap	103	44-14	Washer-Lock	1
38-101-88	Screw-Cap	11	50-14	Washer-Lock	77
38-101-100	Screw-Cap	35	62-14	Washer-Lock	17
38-101-112	Screw-Cap	13	25-104	Washer-Flat	3
38-101-225	Screw-Cap	107	31-104	Washer-Flat	57
38-101-262	Screw-Cap	107	38-104	Washer-Flat	93
44-101-50	Screw-Cap	31	44-104	Washer-Flat	3
44-101-75	Screw-Cap	7	50-104	Washer-Flat	88
44-101-88	Screw-Cap	27	44-204	Washer-Flat	3
44-101-94	Screw-Cap	3	62-204	Washer-Flat	9
44-101-100	Screw-Cap	13	25-003	Nut-Hex	51
44-101-112	Screw-Cap	3	31-003	Nut-Hex	1
44-101-125	Screw-Cap	11	38-003	Nut-Hex	13
44-101-138	Screw-Cap	25	44-003	Nut-Hex	1
44-101-150	Screw-Cap	7	50-003	Nut-Hex	85
44-101-162	Screw-Cap	11	62-003	Nut-Hex	17
44-101-175	Screw-Cap	8	25-013	Nut-Slotted Hex	11
44-101-250	Screw-Cap	11	44-013	Nut-Slotted Hex	3
44-101-238	Screw-Cap	23	50-013	Nut-Slotted Hex	15
44-101-350	Screw-Cap	11	62-013	Nut-Slotted Hex	9
19-102-38	Screw-Flat Head	25	75-013	Nut-Slotted Hex	79
25-102-100	Screw-Flat Head	80	25-1003	Nut-Hex Jam	51
16-112-25	Screw-Round Head	57	38-1003	Nut-Hex Jam	23
19-112-31	Screw-Round Head	73	75-1003	Nut-Hex Jam	25
19-112-38	Screw-Round Head	73	12-2103	Nut-Hex Machine	107
19-112-75	Screw-Round Head	85	19-2103	Nut-Hex Machine	73
19-112-112	Screw-Round Head	107	25-2103	Nut-Hex Machine	51
25-112-50	Screw-Round Head	57	31-2103	Nut-Hex Machine	80
25-8001-138	Bolt-Hex Hd.-Drilled-End	11	38-2103	Nut-Hex Machine	57
06-05-38	Pin-Cotter	11	25-007	Fitting-Grease	10
06-05-50	Pin-Cotter	51	12-107	Fitting-Grease	77
09-05-38	Pin-Cotter	51			
09-05-50	Pin-Cotter	5			
12-05-50	Pin-Cotter	5			
12-05-62	Pin-Cotter	5			
12-05-75	Pin-Cotter	7			
12-05-88	Pin-Cotter	3			
12-05-100	Pin-Cotter	10			

INSTRUCTIONS

FOR THE USE OF THIS BOOK

The arrangement of the illustrations and parts lists in this catalog has been planned for your easy reference.

For example: In Figure 1, Reference Number 1 indicates the Driver's Seat.

In the parts list below the illustration, Reference Number 1 lists TO-400-B with quantity of one (1) under heading "TO-30" and symbol "*" under heading "TE-20 and TE-A20".

Symbol "*" as shown under heading "TE-20 and TE-A20" indicates that TO-400-B cannot be used for servicing TE-20 and TE-A20 Ferguson Tractors. Part Number 9536 as listed under "TE-20 and TE-A20 Service Items-Not Illustrated", with the same reference number 1 is required with quantity for one (1) under heading "TE-20 and TE-A20".

This system has been employed throughout the parts book thereby providing accurate illustrative location together with a ready means of reference from illustration to copy with complete details for the servicing of genuine Ferguson service parts.

TRACTOR PARTS LIST

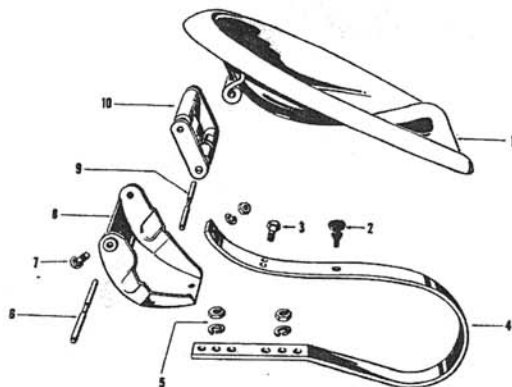
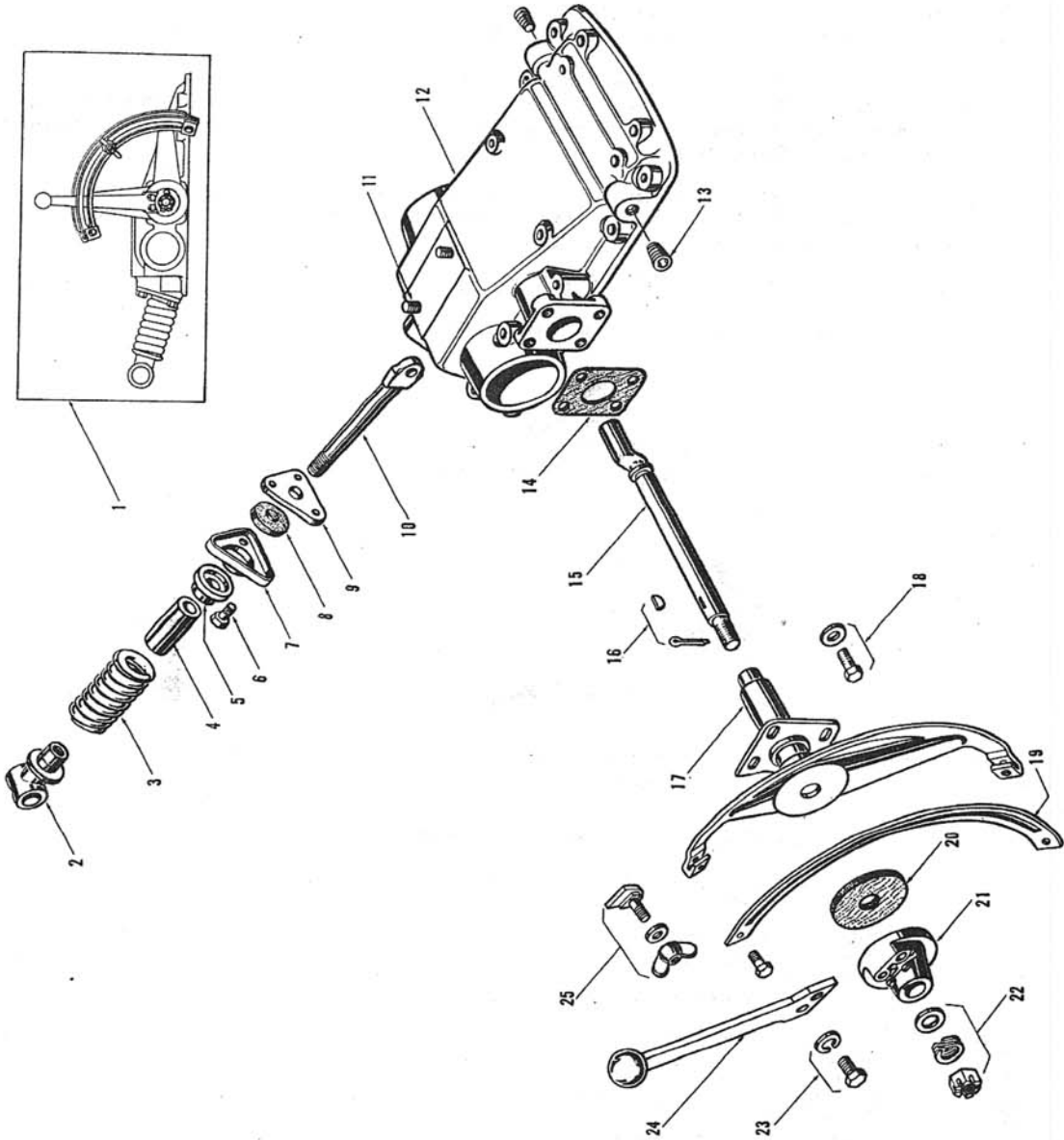


FIG. 1

REF. NO.	PART NO.	DESCRIPTION	QUAN. REQUIRED				
			TO-30	TO-20	9N-2N	TE-20	TEA-20
FIG. 1 HINGED DRIVERS' SEAT AND SPRING ASSEMBLY							
	TO-439	SEAT AND SPRING ASSEMBLY-Hinged Drivers' composed of items 1 thru 10	1	1		1	1
1	TO-400-B	SEAT ASSEMBLY-Hinged Driver.	1	1		*	*
2	{ TO-434 TO-434-A	BUMPER-Driver Seat-Rubber.	1	1			
3	{ 31-001-88 31-14 31-003	BOLT-Hex Head WASHER-Lock } Hinge to Seat Spring	2	2			
4	{ TO-404-A 44-14	NUT-Hex SPRING-Driver Seat	1	1		*	*
5	{ 44-003 44-003	WASHER-Lock } Spring to Lift Cover	2	2	2	2	2
6	{ TO-437-A 31-011-88	PIN-Driver Seat Hinge-7.30 Long	1	1			
7	{ 31-14 31-003	BOLT-Carriage WASHER-Lock } Hinge to Seat Spring	2	2			
8	TO-440	NUT-Hex					
9	TO-437-B	HINGE ASSEMBLY-Driver Seat	1	1			
10	TO-438	PIN-Driver Seat Hinge-6.87 Long	1	1			
		LINK-Hinge	1	1			
* TE- & TE-A-20 Service Items-Not Illustrated							
1	9536	SEAT ASSEMBLY-Driver				1	1
4	7062	SPRING-Driver Seat				1	1
	1221	BOLT-Driver Seat to Spring				1	1

TRACTOR PARTS LIST

FIG. 2

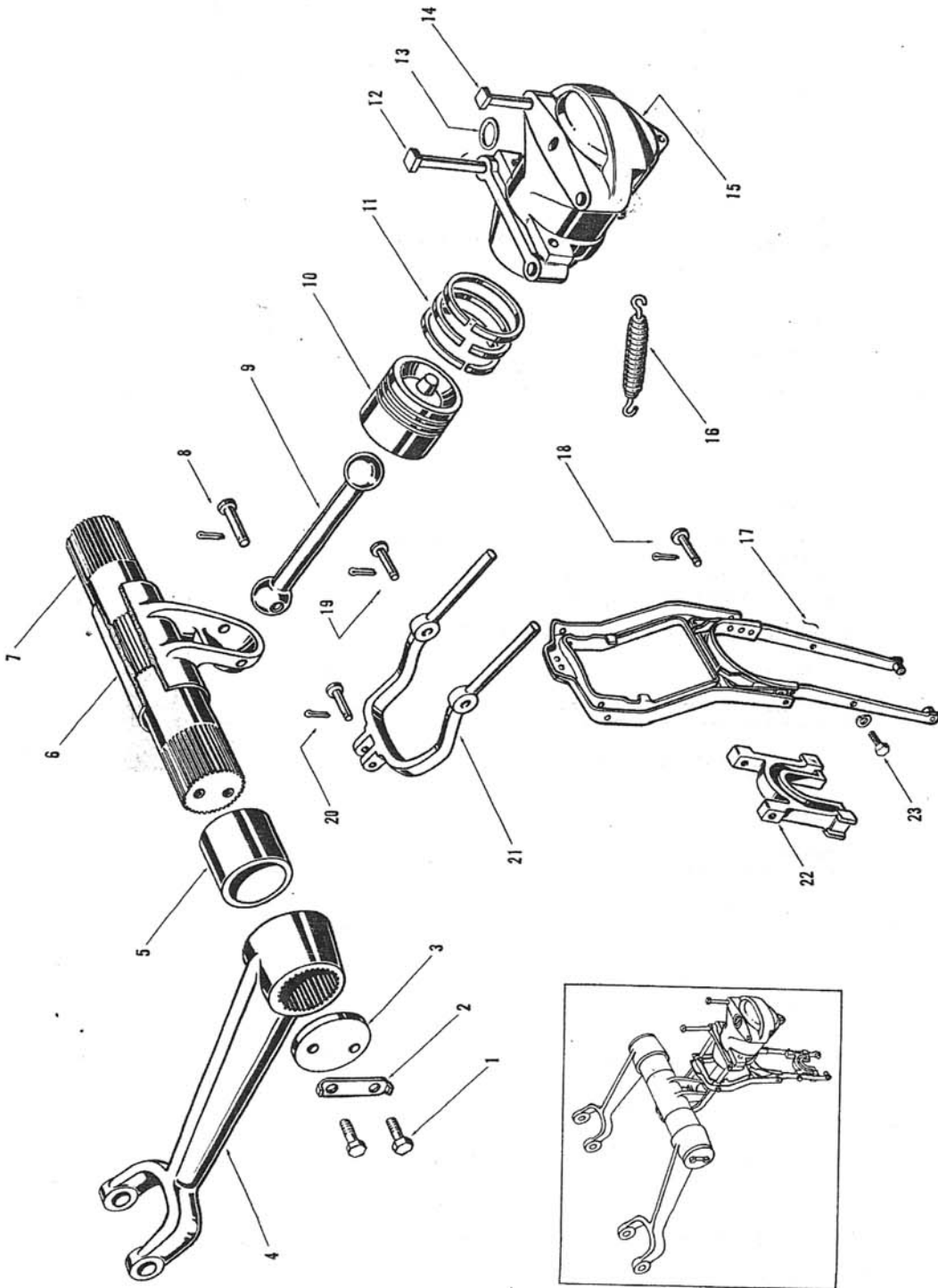


TRACTOR PARTS LIST

REF. NO.	PART NO.	DESCRIPTION	QUAN. REQUIRED				
			TO-30	TO-20	9N-2N	TE-20	TEA-20
FIG. 2 HYDRAULIC LIFT COVER AND RELATED PARTS							
1	{ TO-500 TO-500-A	LIFT ASSEMBLY-Hydraulic LIFT ASSEMBLY-Hydraulic Not serviced as an assembly composed of items 2 thru 25 and 1 thru 23 Fig. 3	1	1			
2	TO-546	YCKE-Hydraulic Lift	1	1	1	1	1
3	TO-547	SPRING-Hydraulic Lift	1	1	1	1	1
4	TO-631	SPACER-Hydraulic Lift Spring-(w/TO-675 for TE- and TE-A20)	1	1	1	1	1
5	TO-675	SEAT-Hydraulic Lift Spring-(w/TO-631 for TE- and TE-A20)	1	1	1	1	1
6	44-101-112	SCREW-Cap-Support and Plate to Cover	3	3	3	3	3
7	TO-624	SUPPORT-Hydraulic Lift Spring Seat	1	1	1	1	1
8	TO-529	FELT-Hydraulic Lift Spring Seat	1	1	1	1	1
9	TO-527	PLATE-Hydraulic Lift Cover	1	1	1	1	1
10	TO-541	PLUNGER-Hydraulic Lift Spring Control	1	1	1	1	1
11	44-0132-150	STUD-Seat Spring to Cover	2	2	2	2	2
12	TO-501-B	COVER-Hydraulic Lift-(w/S-10171 for TO-20, TE- and 9N-2N)	1	1	1	1	*
13	{ S-353055 S-10112	PLUG-Pipe-Hydraulic Lift Cover-Prior to # 11,000 . . PLUG-Pipe-Hydraulic Lift Cover-After # 11,000 . . .	2	2	2		*
14	TO-532	GASKET-Hydraulic Lift Quadrant to Cover	1	1	1	1	1
15	TO-517	SHAFT-Hydraulic Lift Control Lever	1	1	1	1	1
16	{ 16-09-62 12-05-88	KEY-Woodruff-Control Arm to Lift Shaft PIN-Cotter-Lever to Shaft	1	1	1	1	1
17	TO-515	QUADRANT ASSEMBLY-Lift Control	1	1	1	1	1
18	{ 44-101-94 44-204	SCREW-Cap } WASHER-Flat } Quadrant to Cover	4	4	4	4	4
19	{ TO-520 31-101-38	RETAINER-Lift Control Lever SCREW-Cap-Retainer to Quadrant	1	1	1	1	1
20	TO-518	DISC-Friction-Lift Control	1	1	1	1	1
21	TO-516	PLATE-Friction-Lift Control	1	1	1	1	1
22	{ TO-522 44-104 44-013	SPRING-Lift Control Quadrant Lever WASHER-Flat NUT-Slotted Hex	1	1	1	1	1
23	{ 25-101-44 25-14	SCREW-Cap } WASHER-Lock } Lever to Friction Plate	2	2	2	2	2
24	TO-512	LEVER ASSEMBLY-Hydraulic Lift	1	1	1	1	1
25	{ TO-521 25-104 S-9753-D	STOP ASSEMBLY-Control Lever WASHER-Flat NUT-Wing	1	1	1	1	1
* TE- and TE-A20 Service Items-Not Illustrated							
12	9636	COVER-Hydraulic Lift					1
13	2480	PLUG-Hydraulic Cover					2
	2481	WRENCH-5/16 Socket Head					1

TRACTOR PARTS LIST

FIG. 3



TRACTOR PARTS LIST

REF. NO.	PART NO.	DESCRIPTION	QUAN. REQUIRED				
			TO-30	TO-20	9N-2N	TE-20	TEA-20
FIG. 3 HYDRAULIC LIFT SHAFT AND RELATED PARTS							
	TO-500	LIFT ASSEMBLY-Hydraulic-Continued		1			
	TO-500-A	LIFT ASSEMBLY-Hydraulic-Continued Not serviced as an assembly composed of items 1 thru 23 and 2 thru 25 Fig. 2	1				
1	44-001-68	BOLT-Hex Head Lift Arm to Shaft	4	4	4	4	4
2	TO-550	CLIP-Locking-Lift Arm	2	2	2	2	2
3	TO-551	WASHER-Lift Arm	2	2	2	2	2
4	TO-543	ARM-Hydraulic Lift	2	2	2	2	2
5	{ TO-531	BUSHING-Lift Shaft	2	2	2	2	2
6	{ TO-531-A	BUSHING-Lift Shaft	4	4	4	4	4
6	TO-545	RAM-Arm-Hydraulic Lift	1	1	1	1	1
7	TO-544	SHAFT-Hydraulic Lift	1	1	1	1	1
8	{ S-10211-F	PIN-Clevis } PIN-Cotter } Connecting Rod to Ram Arm	1	1	1	1	1
	{ 12-05-50						
9	TO-526-1	ROD-Connecting-Hydraulic Lift	1	1	1	1	1
10	TO-684	PISTON ASSEMBLY-Hydraulic Lift composed of Piston not serviced and item 11	1	1	1	1	1
11	TO-533	RING-Piston-Hydraulic Lift	3	3	3	3	3
12	{ S-9776-B	BOLT-Square Head } NUT-Hex } Cylinder to Cover	2	2	2	2	2
	{ 44-003						
13	{ TO-552	GASKET-Cylinder to Cover-Not illustrated	1	2	2	2	2
	{ S-10171		O RING-Cylinder to Cover	1	1	1	1
	{ TO-553		GASKET-Cylinder to Cover-Not illustrated				
14	{ S-9776-A	BOLT-Square Head } NUT-Hex } Cylinder to Cover	2	2	2	2	2
	{ 44-003						
15	TO-510	CYLINDER-Hydraulic Lift	1	1	1	1	1
16	TO-539	SPRING-Retracting-Lift Fork	1	1	1	1	1
17	{ TO-504-B	FORK ASSEMBLY-Hand Control	1	1	1	1	*
	{ TO-504-A		FORK ASSEMBLY-Hand Control composed of top and bottom Fork and item 18				
		FORK-Top } FORK-Bottom } Not serviced separately					
18	{ TO-549	PIN-Clevis } PIN-Cotter } Top Fork to bottom Fork	2	2	2	2	2
	{ 09-05-50						
19	{ TO-548	PIN-Clevis } PIN-Cotter } Spring to Hand Control Fork	2	2	2	2	2
	{ 12-05-62						
20	{ TO-676	PIN-Clevis } PIN-Cotter } Spring Control Fork to Plunger	1	1	1	1	1
	{ 12-05-62						
21	TO-540	FORK-Lift Spring Control	1	1	1	1	1
22	TO-687	STABILIZER-Fork	1				*
23	{ 25-001-88	BOLT-Hex Head } WASHER-Lock } Stabilizer to Fork	2				2
	{ 25-14						
* TE- and TE-A Service Items-Not Illustrated							
17	7329	FORK ASSEMBLY-Hand Control					1
22	4414	STABILIZER-Fork					1

TRACTOR PARTS LIST

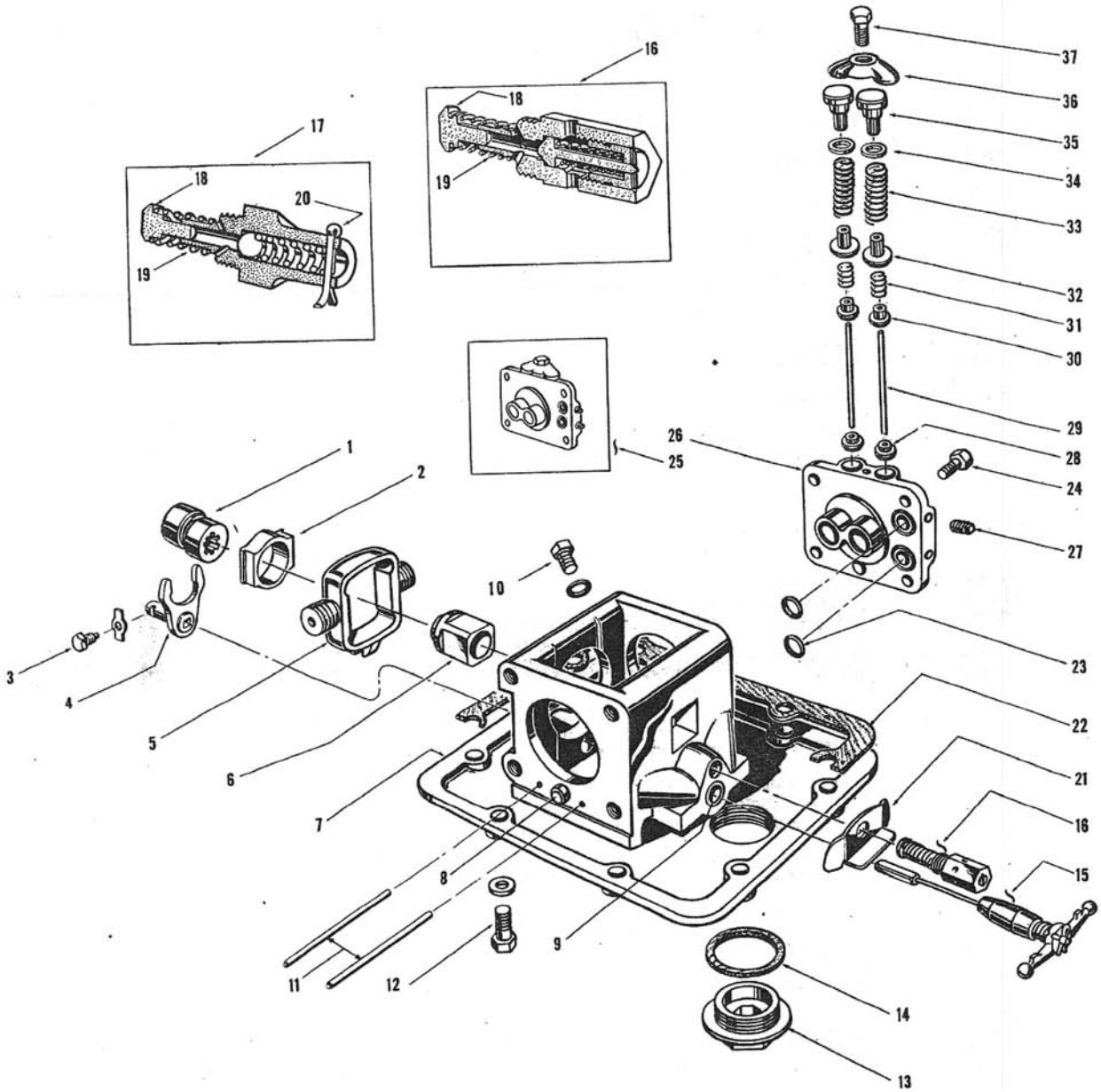


FIG. 4

TRACTOR PARTS LIST

REF. NO.	PART NO.	DESCRIPTION	QUAN. REQUIRED				
			TO-30	TO-20	9N-2N	TE-20	TEA-20
FIG. 4 HYDRAULIC PUMP ASSEMBLY							
	TO-699	PUMP ASSEMBLY-Hydraulic					
	TO-699-A	PUMP ASSEMBLY-Hydraulic composed of items 1 thru 15 and 23 thru 37					
1	{ TO-618	CAM-Hydraulic Pump		1	1	1	
2	{ TO-618-A	CAM-Hydraulic Pump	1				1
	TO-617-1	BLOCK-Hydraulic Pump Cam	2	2	2	2	2
3	{ TO-695	WASHER-Tab	1				1
	TO-697	SCREW-Set	1				1
4	TO-688	FORK AND PIN ASSEMBLY	1				1
5	TO-615	PISTON-Hydraulic	2	2	2	2	2
6	TO-649	BUSHING-Hydraulic Pump	1	1	1	1	1
7	{ TO-604	BASE ASSEMBLY-Hydraulic Pump		1	1	1	1
	TO-604-A	BASE ASSEMBLY-Hydraulic Pump composed of Base not serviced and items 8 thru 10 .	1				*
8	TO-6387	DOWEL-Hydraulic Pump Base	2	2	2	2	2
9	TO-625	BUSHING-Hydraulic Pump Valve	1	1	1	1	1
10	{ TO-614	GASKET-Annular	1	1	1	1	1
	TO-620	PLUG-Base Drain	1	1	1	1	1
11	TO-616	STEADY-Hydraulic Pump Piston	2	2		2	2
12	{ 44-101-75	SCREW-Cap-Pump Base to Center Housing	9	9	9	9	9
	44-204	WASHER-Flat	9	9	9	9	9
13	TO-7010	PLUG-Drain-Hydraulic Pump	1	1	1	1	1
14	TO-7011	GASKET-Hydraulic Pump Drain Plug	1	1	1	1	1
15	{ TO-694	VALVE ASSEMBLY-Oscillating Control	1				1
	TO-640	VALVE ASSEMBLY-Hydraulic Pump Control composed of Valve not serviced and		1	1	1	
	TO-632	SPRING-Control Valve	1	1	1	1	1
	TO-641	CLIP-Control Valve Stem	1	1	1	1	1
	TO-643	BAR-Control Valve Stem	1	1	1	1	1
	TO-642	STEM-Control Valve	1	1	1	1	1
	TO-691	DRIVE ASSEMBLY-Oscillator	1				1
	S-10152	RING-Internal	1				*
16	TO-638-A	VALVE ASSEMBLY-Safety (After #83271 for TE-20) composed of serviceable items 18 and 19	1	1		1	
17	TS-638-A	VALVE ASSEMBLY-Safety (Prior to #83271 for TE-20) composed of serviceable items 18, 19 and 20			1	1	1
18	TO-635	VALVE-Safety Check	1	1	1	1	1
19	TO-645	SPRING-Safety Check Valve	1	1	1	1	1
20	12-05-75	PIN-Cotter-Retainer Spring (Prior to #83271 for TE-20)			1	1	1
21	TO-686	SHIELD-Safety Valve	1				1
22	TO-611	GASKET-Hydraulic Pump Base to Center Housing	1	1	1	1	1
23	{ TO-613	Gasket-Valve Chamber to Base-Not illustrated		2	2	2	2
	S-10170	O-RING-Valve Chamber to Base	4				4
24	{ 44-001-125	BOLT-Hex Head-Valve Chamber to Base	4				4
	44-001-150	BOLT-Hex Head-Valve Chamber to Base	4	8	8	8	8
	TO-621	CHAMBER ASSEMBLY-Valve-R.H.		1	1	1	1
25	{ TO-621-A	CHAMBER ASSEMBLY-Valve-R.H.	1				
	TO-622	CHAMBER ASSEMBLY-Valve-L.H.		1	1	1	1
	TO-622-A	CHAMBER ASSEMBLY-Valve-L.H. composed of items 26 thru 37	1				
	TO-606	CHAMBER-Valve-R.H.					
26	{ TO-606-A	CHAMBER-Valve-R.H.					
	TO-607	CHAMBER-Valve-L.H.					
	TO-607-A	CHAMBER-Valve-L.H.					
27	S-353055	PLUG-Pipe	2	2	2	2	2
28	TO-627	SOCKET-Valve Guide	2	2	2	2	2
29	TO-626	GUIDE-Chamber Valve	2	2	2	2	2
30	TO-629	VALVE-Inlet	2	2	2	2	2
31	TO-647	SPRING-Inlet Valve	2	2	2	2	2
32	TO-628	VALVE-Outlet	2	2	2	2	2
33	TO-646	SPRING-Outlet	2	2	2	2	2
34	TO-664	WASHER-Outlet Valve Spring	2	2	2	2	2
35	TO-636	PLUG-Valve Chamber	2	2	2	2	2
36	TO-609	CLAMP-Valve Chamber	1	1	1	1	1
37	44-101-150	SCREW-Cap-Clamp to Chamber	1	1	1	1	1
* TE- and TE-A20 Service Items Not Illustrated							
7	2378	BASE ASSEMBLY-Hydraulic Pump					1
15	2305	RING-Internal					1

TRACTOR PARTS LIST

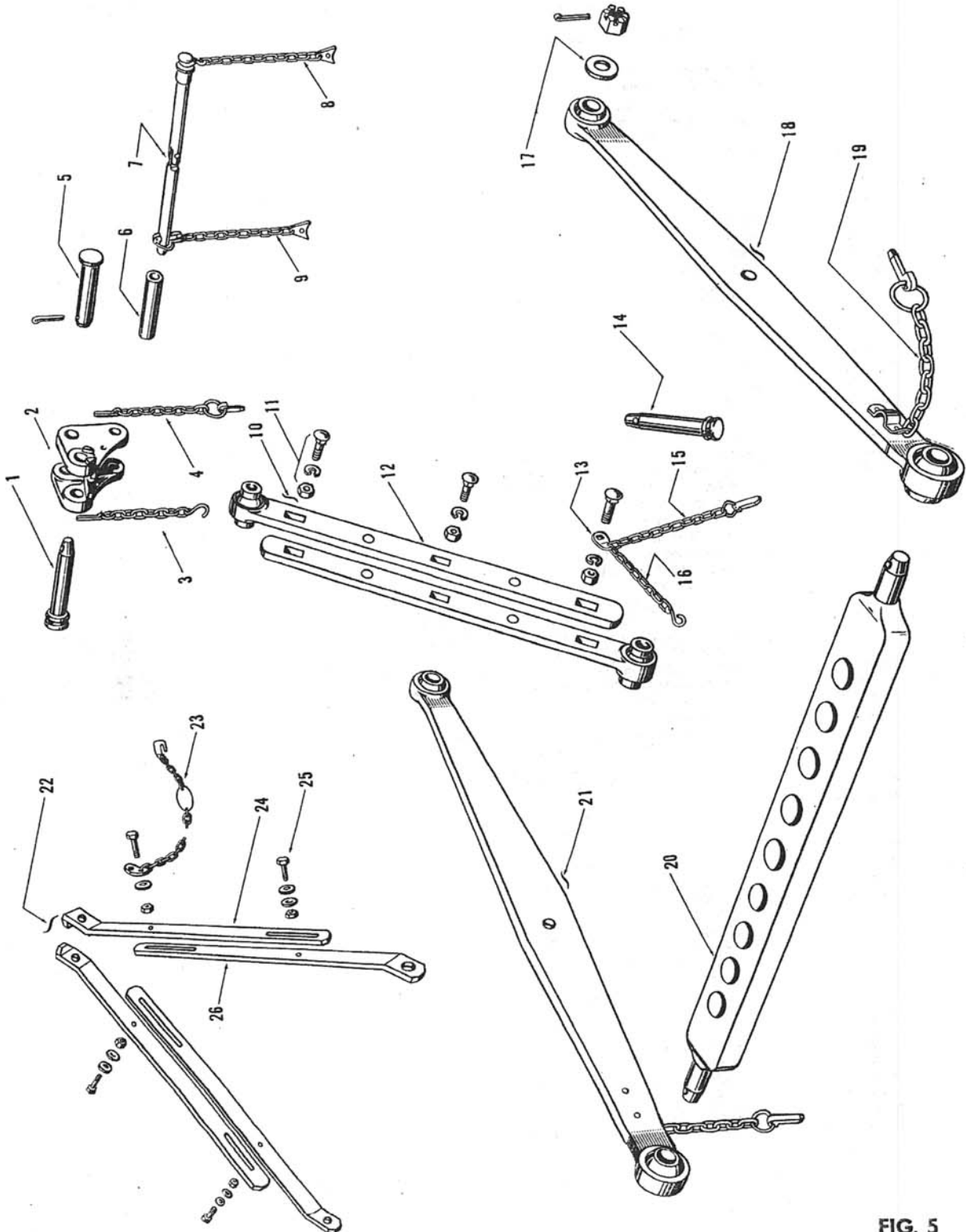


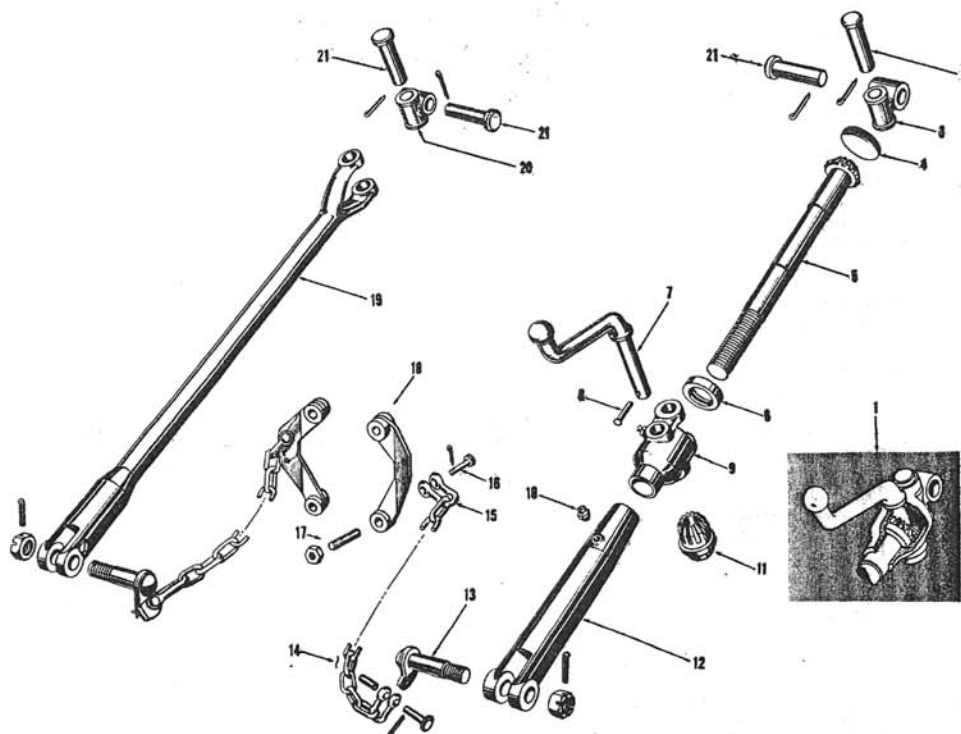
FIG. 5

TRACTOR PARTS LIST

REF. NO.	PART NO.	DESCRIPTION	QUAN. REQUIRED				
			TO-30	TO-20	9N-2N	TE-20	TEA-20
FIG. 5 UPPER AND LOWER LINKS AND RELATED PARTS							
1	S-9551-A	PIN-Clevis-Upper Link to Rocker	1	1	1	1	1
2	TO-535-1	ROCKER-Hydraulic Lift	1	1	1	1	1
3	{ 19-05-75	PIN-Cotter } Rocker Clevis Pin	1	1	1	1	1
	{ S-9561-D						
4	{ S-9562	EYE-Retainer Pin } Upper Link Rocker Pin	1	1	1	1	1
	{ 19-05-75						
	{ S-9561-D						
	{ S-9563						
5	{ S-9552	PIN-Linch } Rocker to Yoke	1	1	1	1	1
	{ S-10216-B						
6	{ 25-05-125	PIN-Cotter }	1	1	1	1	1
	{ TO-536						
7	{ TO-561	BUSHING-Rocker Pin	1	1	1	1	1
	{ S-9562						
8	{ S-9561-B	PIN ASSEMBLY-Rocker	1	1	1	1	1
	{ TO-580-A						
9	{ S-9552	EYE-Retainer Pin	1	1	1	1	1
	{ S-9563						
10	{ S-9561-F	CHAIN-11 Links	1	1	1	1	1
	{ TO-580-A						
11	{ TO-576	ANCHOR-Chain	1	1	1	1	1
	{ TO-576-A						
12	{ 44-011-150	LINK ASSEMBLY-Upper-Prior to # 15903	1	1	1	1	*
	{ 44-204						
13	{ 44-003	LINK ASSEMBLY-Upper-After # 15903	3	3	3	3	*
	{ TO-666						
14	{ TO-666-A	LINK ASSEMBLY-Upper Half-Prior to # 15903	2	2	2	2	2
	{ S-9564-A						
15	{ S-9551-A	ANCHOR-Chain	1	1	1	1	1
	{ S-9561-B						
16	{ S-9563	PIN-Clevis-Implement Attaching	1	1	1	1	1
	{ S-9552						
17	{ S-9561-F	CHAIN-11 Links	1	1	1	1	1
	{ S-9562						
18	{ 62-204	RING-Locking	1	1	1	1	1
	{ 62-013						
19	{ 12-05-88	PIN-Linch	1	1	1	1	1
	{ TO-555						
20	{ S-9566-A	CHAIN-8 Links	1	1	1	1	1
	{ 19-06-94						
21	{ S-9561-F	EYE-Retainer Pin	1	1	1	1	1
	{ S-9563						
22	{ S-9552	WASHER-Flat } Lower Links to Axle	2	2	2	2	2
	{ TO-5182						
23	{ TO-556	NUT-Slotted Hex }	2	2	2	2	2
	{ TO-5372						
24	{ TO-5373	PIN-Cotter }	1	1	1	1	1
	{ TO-5370						
25	{ TO-5374	LINK ASSEMBLY-Lower-R.H.	1	1	1	1	1
	{ 44-001-125						
26	{ 44-204	LINK ASSEMBLY-Lower-L.H.	1	1	1	1	1
	{ 44-003						
27	{ TO-5375	DRAWBAR-Hydraulic Lift	1	1	1	1	1
	{ TO-5377						
** TE- and TE-A20 Service Items-Not Illustrated							
10	{ 8738	LINK ASSEMBLY-R.H.-After # 200,001					1
11	{ 8739	LINK ASSEMBLY-L.H.-After # 200,001					1
	{ 2476	BOLT-Special-Center Only-After # 200,001					1

TRACTOR PARTS LIST

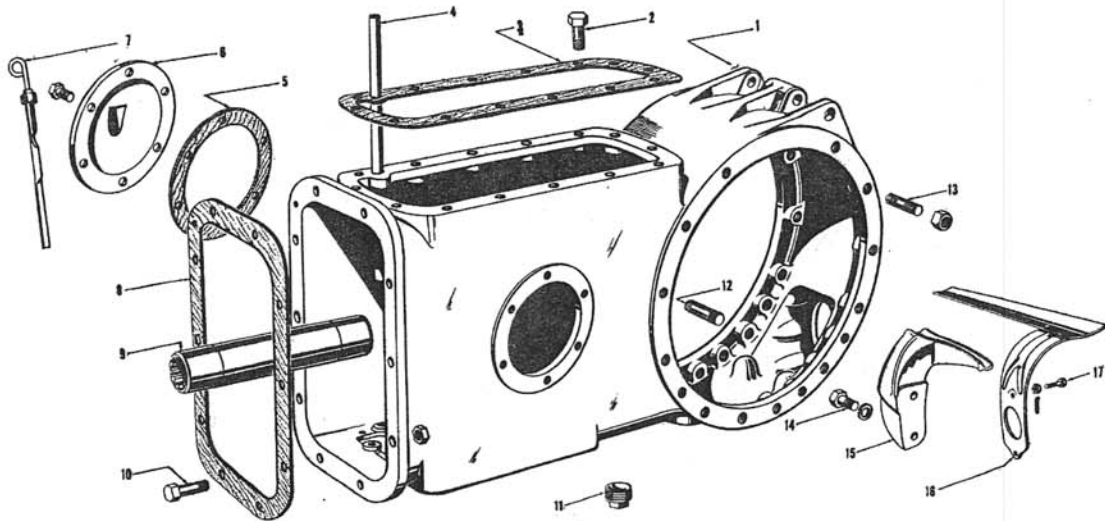
FIG. 6



REF. NO.	PART NO.	DESCRIPTION	QUAN. REQUIRED				
			TO-30	TO-20	9N-2N	TE-20	TEA-20
FIG. 6 LEVELING BOX ASSEMBLY AND RELATED PARTS							
1	TO-569-A	BOX ASSEMBLY-Hydraulic Lift Leveling	1	1	1	1	1
		composed of items 2 thru 12					
2	{ TO-595	PIN-Hydraulic Lift Leveling Fork	1	1	1	1	1
	{ 12-05-100	PIN-Cotter	1	1	1	1	1
3	TO-566	KNUCKLE-Hydraulic Lift Leveling	1	1	1	1	1
4	S-74127	PLUG-Expansion	1	1	1	1	1
5	TO-579	SHAFT-Leveling Gear (w/TO-568 for TE- and TE-A-20)..	1	1	1	1	1
6	S-9857	BEARING ASSEMBLY-Leveling Gear	1	1	1	1	1
7	TO-594	LEVER-Hydraulic Lift Leveling	1	1	1	1	1
8	S-351963	RIVET-Leveling Lever	1	1	1	1	1
	{ TO-565	BOX-Hydraulic Lift Leveling	1	1	1	1	1
	{ 25-007	FITTING-Lubrication-Shown in Position	1	1	1	1	1
10	25-007	FITTING-Lubrication-Leveling Fork	1	1	1	1	1
11	TO-568	GEAR-Leveling Lever-(w/TO-579 for TE- and TE-A-20)..	1	1	1	1	1
12	TO-585-A	FORK-Lift Rod Leveling	1	1	1	1	1
13	{ TO-577	EYEBOLT ASSEMBLY } Lift Rod Leveling	2	2	2	2	2
	{ 44-013	NUT-Hex Slotted }					
	{ 12-05-75	PIN-Cotter }					
14	TO-598	CHAIN ASSEMBLY-Lower Link Anchor	2	2	2	2	2
		composed of Chain not serviced and item 15					
15	TO-582	SHACKLE-Chain	2	2	2	2	2
16	{ S-10211-G	PIN-Clevis } Anchor Chain	4	4	4	4	4
	{ 12-05-50	PIN-Cotter }					
	TO-583	BUSHING-Check Chain Eyebolt	2	2	4	4	4
17	{ TO-707	SCREW-Cap-Anchor to Center Housing-Not illustrated . . .		4	4	4	4
	{ 44-0132-188	STUD } Anchor to Center Housing	4				
	{ 44-003	NUT-Hex }					
18	TO-596-A	ANCHOR-Lower Link Check Chain (w/Stud for TO-20, TE- and TE-A20)	2	2	2	2	2
19	TO-564	ROD-Hydraulic Lift Leveling-L.H.	1	1	1	1	1
20	TO-566	KNUCKLE-Hydraulic Lift Leveling	1	1	1	1	1
	{ TO-595	PIN-Hydraulic Lift Leveling Fork	3	3	3	3	3
	{ 12-05-100	PIN-Cotter	3	3	3	3	3

TRACTOR PARTS LIST

FIG. 7



REF. NO.	PART NO.	DESCRIPTION	QUAN. REQUIRED				
			TO-30	TO-20	9N-2N	TE-20	TEA-20
FIG. 7 CENTER HOUSING AND RELATED PARTS							
1	{ TO-4025 TO-4025-A	HOUSING ASSEMBLY-Center HOUSING ASSEMBLY-Center composed of Housing not serviced and item 4	1	1	1	1	1
2	{ 44-101-162 44-101-250 44-101-350	SCREW-Cap }	7	7	7	7	7
		SCREW-Cap } Lift Cover to Center Housing	3	3	3	3	3
		SCREW-Cap }	4	4	4	4	4
3	TO-502	GASKET-Hydraulic Lift Cover	1	1	1	1	1
4	TO-567	TUBE-Oil-Center Housing Side Cover	2	2	2	2	2
5	TO-4131	GASKET-Center Housing Side Cover	2	2	2	2	2
6	{ TO-7158 44-101-75 44-101-125	COVER ASSEMBLY-Oil Level Indicator	1	1	1	1	1
		SCREW-Cap-Cover to Center Housing	5	5	5	5	5
		SCREW-Cap-Step Bracket and Cover to Center Housing	1	1	1	1	1
7	TO-7137	INDICATOR-Oil Level	1	1	1	1	1
8	TO-4662	GASKET-Center Housing to Trans. Case	1	1	1	1	*
9	TO-4605	SHAFT ASSEMBLY-Drive	1	1	1	1	1
10	{ 44-001-138 44-003	BOLT-Hex Head } Center Housing to Trans. Case	8	8	8	8	8
		NUT-Hex }					
11	S-353051	PLUG-Pipe-Center Housing Drain	1	1		1	1
12	44-0132-188	STUD-Muffler Clip to Rear Axle and Center Housing	1	1		1	1
13	{ 44-0132-162 44-003	STUD } Rear Axle Housing to Center Housing	29	21		21	21
		NUT-Hex }	30	22		22	22
		SCREW-Cap } Thrust Block to Axle Housing	2	2		2	2
14	{ 38-101-88 38-14	WASHER-Lock }				2	2
		BLOCK-Thrust-Driving Gear	1	1		*	*
15	{ TO-4195-A TO-4195-B	BLOCK-Thrust-Driving Gear	1	1		1	1
		TROUGH ASSEMBLY-Differential Bearing	1	1	1	1	1
16	{ TO-4150 TO-4150-A 25-8001-138	TROUGH ASSEMBLY-Differential Bearing	1	1		1	1
		BOLT-Hex Head } Trough to Center Housing	2	2		2	2
		NUT-Slotted }					
		PIN-Cotter }					
* TE-20 and TE-A20 Service Items-Not Illustrated							
8	7324	GASKET-Center Housing to Transmission Housing-After # 200,001					1
15	7015	BLOCK-Thrust-Driving Gear				1	1

TRACTOR PARTS LIST

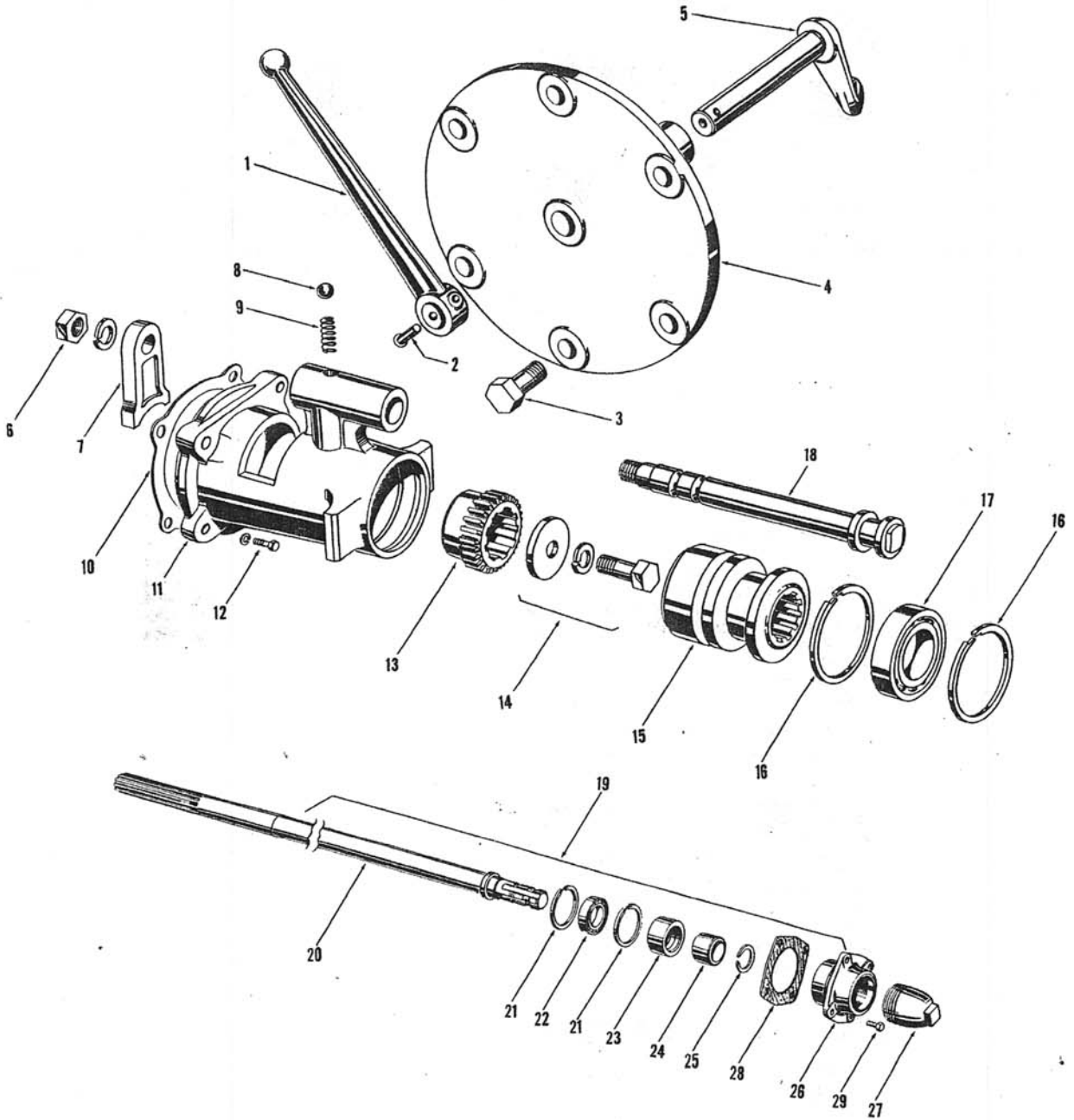


FIG. 8

TRACTOR PARTS LIST

REF. NO.	PART NO.	DESCRIPTION	QUAN. REQUIRED				
			TO-30	TO-20	9N-2N	TE-20	TEA-20
FIG. 8 P.T.O. SHIFTER LEVER, FORK, SHAFT AND RELATED PARTS							
1	TO-723	LEVER-Power Take-Off Shifter	1	1	1	1	1
2	25-06-138	RIVET-Button Head-Lever to Fork	1	1		1	1
3	{ 44-101-75	SCREW-Cap-Cover to Center Housing	5	5		5	5
	{ 44-101-125	SCREW-Cap-Step Assy. and Cover to Center Housing	1	1		1	1
4	TO-721	COVER-Power Take-Off Shifter	1	1		1	1
5	TO-720	FORK-Power Take-Off Shifter	1	1	1	1	1
6	{ 38-003	NUT-Hex } P.T.O. Shifter Rail	1	1	1	1	1
	{ 38-14	WASHER-Lock }					
7	TO-722	STOP-P.T.O. Shifter Rail-(w/TO-719 for TE & TE-A20).	1	1	1	1	1
8	S-353075	BALL-Lock-Shifter Rail	1	1	1	1	1
9	TO-7234	SPRING-Shifter Rail Lock Ball	1	1	1	1	1
10	{ TO-7135-A	SHIM-.003 Thick } Support to Trans. Case	As Req	As Req	As Req	As Req	As Req.
	{ TO-7135-F	SHIM-.005 Thick }					
	{ TO-7135-G	SHIM-.012 Thick }					
	{ TO-7135-H	SHIM-.025 Thick }					
11	{ TO-708	RETAINER ASSEMBLY-P.T.O. Support		1	1	1	1
	{ TO-708-A	RETAINER ASSEMBLY-P.T.O. Support composed of retainer not serviced and CUP-Bearing-Pressed in place	1				
12	{ S-9835	SCREW-Cap } Retainer to Trans. Case	1	1	1	1	1
	{ 38-101-112	WASHER-Lock }	4	4	4	4	4
13	TO-716	HUB-Clutch-Power Take-Off	1	1		1	1
14	{ 38-001-100	BOLT-Hex Head } Clutch Hub to Countershaft	1	1	1	1	1
	{ 38-14	WASHER-Lock }					
	{ S-351406	WASHER-Special }					
15	TO-717	SLEEVE-Clutch-Power Take-Off	1	1		1	1
16	TO-754	RING-Snap-Bearing Retainer	2	2		2	2
17	S-9852	BEARING ASSEMBLY-P.T.O. Shaft	1	1	1	1	1
18	TO-719	RAIL-Power Take-Off Shifter (w/TO-722 for TE & TE-A20)	1	1	1	1	1
19	TO-700-A	POWER TAKE-OFF ASSEMBLY composed of items 20 thru 27	1	1	1	1	*
20	TO-710-A	SHAFT ASSEMBLY-P.T.O.	1	1		1	*
21	TO-754	RING-Snap-Power Take-Off Bearing	2	2	2	2	2
22	S-9852	BEARING ASSEMBLY-Power Take-Off	1	1	1	1	1
23	S-9912	SEAL-Oil-Power Take-Off	1	1	1	1	1
24	TO-735	SLEEVE-Power Take-Off	1	1		1	1
25	TO-757	RING-Snap-Power Take-Off Shaft	1	1		1	1
26	TO-733	COVER-Power Take-Off	1	1	1	1	1
27	TO-726	CAP-Power Take-Off	1	1	1	1	1
28	TO-4129	GASKET-Power Take-Off Cover	1	1	1	1	1
29	44-101-100	SCREW-Cap-Cover to Center Housing	4	4	4	4	4
*TE & TE-A20 Service Items-Not Illustrated							
19	7058	POWER TAKE-OFF ASSEMBLY composed of items 21 thru 27 which are interchange- able and					1
20	7009	SHAFT ASSEMBLY-P.T.O.					1

TRACTOR PARTS LIST

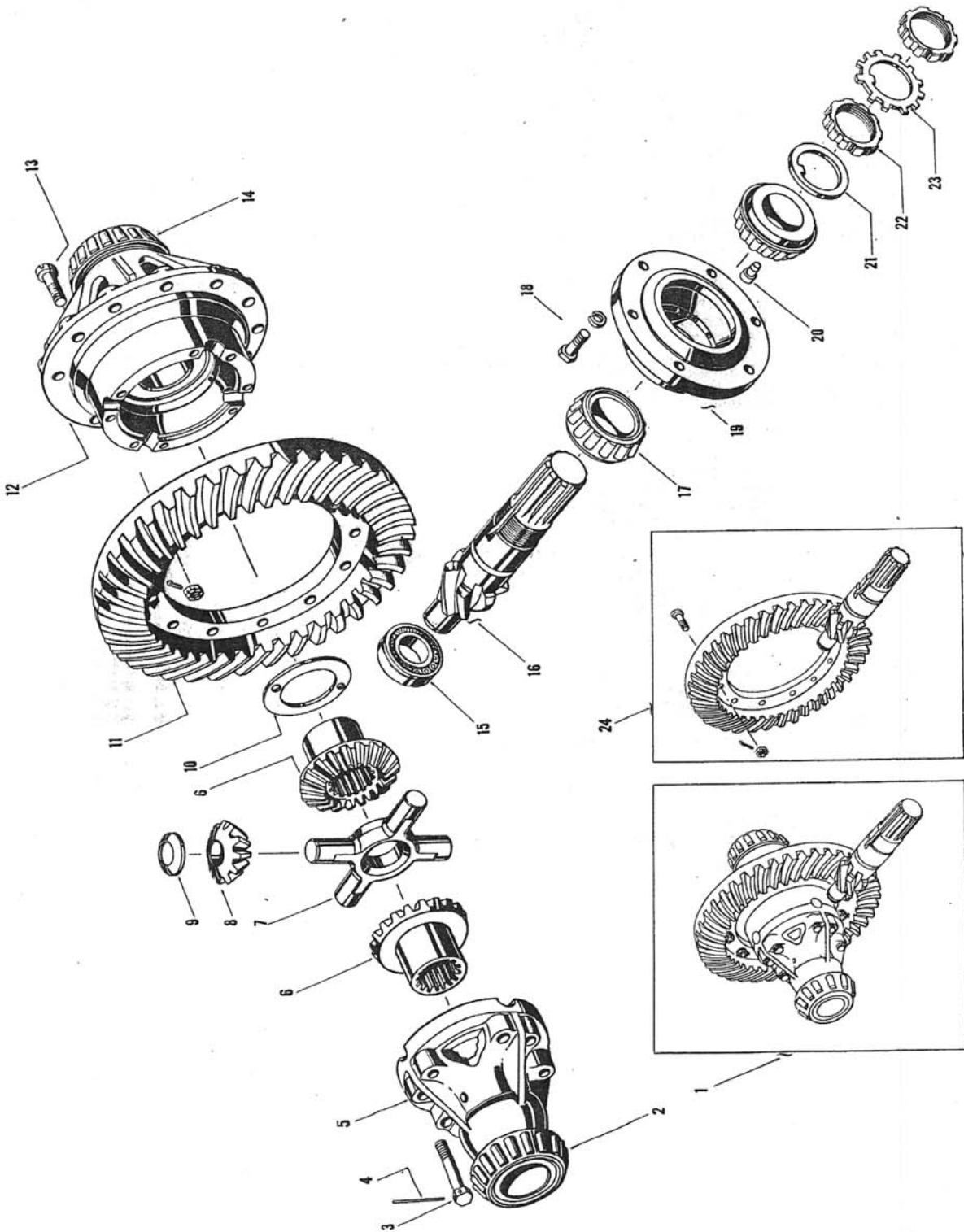


FIG. 9

TRACTOR PARTS LIST

REF. NO.	PART NO.	DESCRIPTION	QUAN. REQUIRED				
			TO-30	TO-20	9N-2N	TE-20	TEA-20
FIG. 9 DIFFERENTIAL ASSEMBLY							
1	{ TO-4217 TO-4203	GEAR, CASE AND PINION ASSEMBLY-Drive GEAR, CASE AND PINION ASSEMBLY-Drive composed of items 2 thru 14 and item 16	1	1	1	1	1
2	S-9825	CONE AND ROLLER ASSEMBLY	1	1	1	1	1
3	{ TO-4216 TO-4216-A	SCREW-Differential Gear Case SCREW-Differential Gear Case	8	8	8	8	8
4	TO-4208-A	WIRE-Locking-Purchase Locally					
5	{ TO-4206 TO-4206-A	CASE-Differential Gear-R.H. Order TO-4217 or TO-4219 CASE-Differential Gear-R.H. Order TO-4203 or TO-4219-A		2	2	2	2
6	{ TO-4236 TO-4236-A	GEAR-Differential GEAR-Differential	2				
7	{ TO-4211 TO-4211-A	SPIDER-Differential SPIDER-Differential	1	1	1	1	1
8	{ TO-4215 TO-4215-A	PINION-Differential PINION-Differential	4	4	4	4	4
9	{ TO-4230 TO-4230-A	WASHER-Thrust-Differential WASHER-Thrust-Differential	4	4	4	4	4
10	{ TO-4228 TO-4228-A	WASHER-Thrust-Differential WASHER-Thrust-Differential	2	2	2	2	2
11	{ TO-4210 TO-4210-A	GEAR-Driving-Order TO-4217 or TO-4218 GEAR-Driving-Order TO-4203 or TO-4218-A					
12	{ TO-4205 TO-4205-A	CASE-Differential Gear-L.H. Order TO-4217 CASE-Differential Gear-L.H. Order TO-4203		12		12	12
13	{ TO-4209-A TO-4209-C	BOLT-Driving Gear to Case BOLT-Driving Gear to Case	12				
	50-013	NUT-Slotted	12	12		12	12
	12-05-112	PIN-Cotter	12	12		12	12
14	S-9825	CONE AND ROLLER ASSEMBLY	1	1	1	1	1
15	{ S-9851 S-9881 TO-4609	BEARING ASSEMBLY-Driving Pinion Pilot BEARING ASSEMBLY-Driving Pinion Pilot PINION ASSEMBLY-Driving-Order TO-4217 or TO-4218 composed of Pinion not serviced and	1	1	1	1	1
16	{ TO-4626-A TO-4627 TO-4610-A	RACE-Driving Pinion Bearing-Not Illustrated RING-Locking-Bearing Race-Not Illustrated PINION ASSEMBLY-Driving-Order TO-4203 or TO-4218-A		1	1	1	1
17	S-9832	CONE AND ROLLER ASSEMBLY	2	2	2	2	2
18	{ TO-4641 S-34810 TO-4614	SCREW-Hex Head-Sleeve to Center Housing WASHER-Lock SLEEVE ASSEMBLY-Driving Pinion Bearing	6	6	6	6	6
19	{ S-9831 TO-4614-A	SLEEVE ASSEMBLY-Driving Pinion Bearing composed of item 20 and CUP-Bearing-Not Illustrated	1	2	2	2	2
20	TO-4256	PIN-Lock-Pinion Bearing Nut	1	1	1	1	1
21	TO-4667	WASHER-Thrust-Pinion Bearing	1	1	1	1	1
22	TO-4634	NUT-Lock-Pinion Bearing	2	2		2	2
23	TO-4636	WASHER-Special Pinion Bearing	1	1		1	1
24	{ TO-4218 TO-4218-A	GEAR AND PINION ASSEMBLY-Drive GEAR AND PINION ASSEMBLY-Drive composed of items 11, 13 and 16	1	1	1	1	1
	TO-4219	DIFFERENTIAL CASE ASSEMBLY-Not Illustrated		1	1	1	1
	TO-4219-A	DIFFERENTIAL CASE ASSEMBLY-Not Illustrated composed of items 3, 5 and 12	1				

TRACTOR PARTS LIST

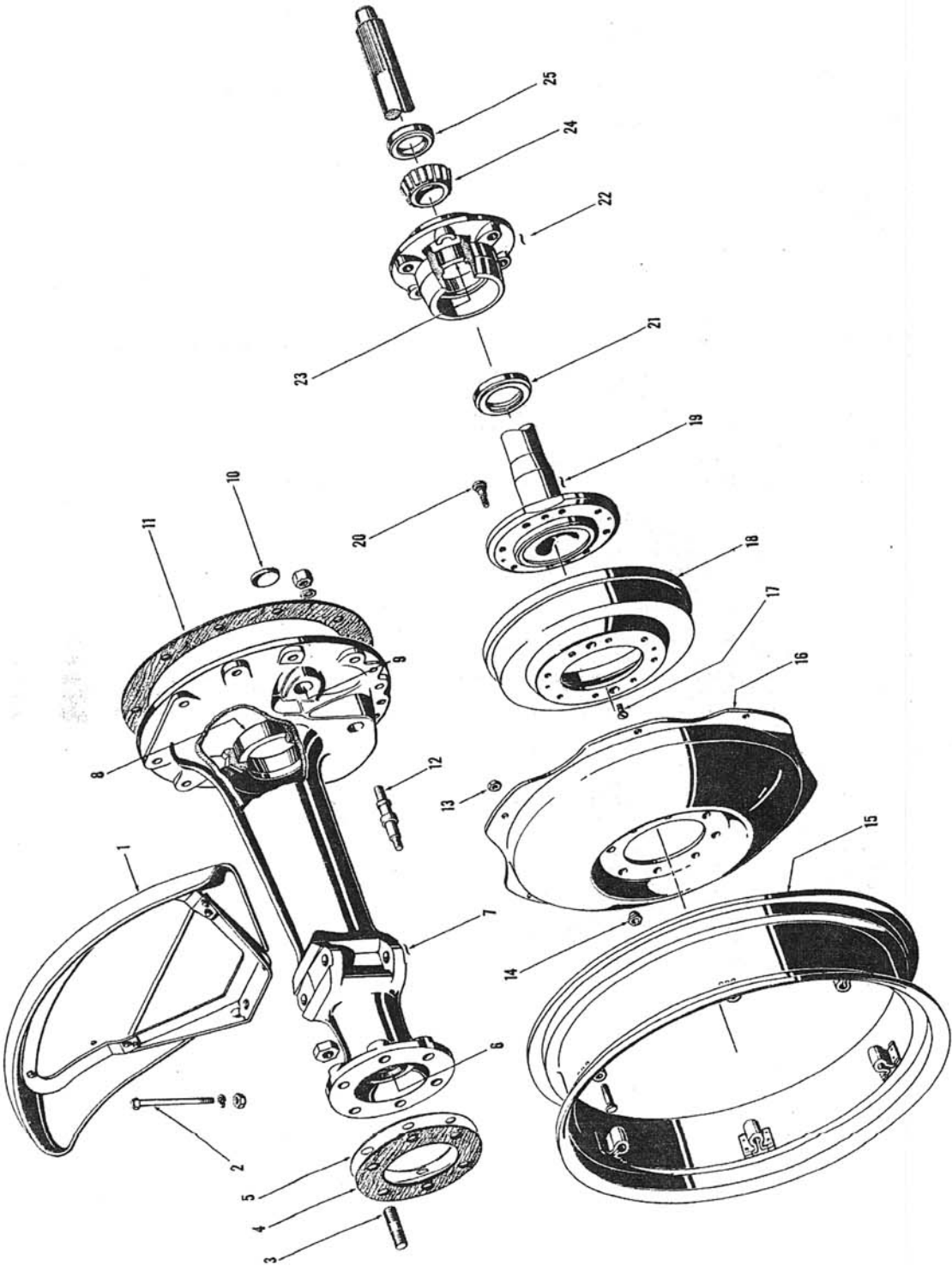


FIG. 10

TRACTOR PARTS LIST

REF. NO.	PART NO.	DESCRIPTION	QUAN. REQUIRED				
			TO-30	TO-20	9N-2N	TE-20	TEA-20
FIG.10 REAR AXLE HOUSING, WHEEL AND RELATED PARTS							
1	TO-16312	FENDER ASSEMBLY-Rear	2	2	2	2	2
2	{ 62-001-612	BOLT-Hex Head	} Fender to Axle Housing	4	4	4	4
	{ 62-14	WASHER-Lock					
	{ 62-003	NUT-Hex					
3	{ TO-4135	STUD-Rear Axle	12	12	12	12	12
	{ 44-14	WASHER-Lock					
	{ 44-003	NUT-Hex					
4	TO-4130	GASKET-Rear Axle Housing-Outer	4	4	4	4	4
5	{ TO-4229-A	SHIM-.003-.005 Thick	} Rear Axle Retainer	As Req	As Req	As Req	As Req
	{ TO-4229-B	SHIM-.015-.017 Thick					
	{ TO-4229-C	SHIM-.020-.022 Thick					
6	S-9906	SEAL-Oil-Rear Axle-Inner-Shown in Position	2				
7	{ TO-4012-A	HOUSING ASSEMBLY-Rear Axle-R.H.	1	1		*	*
	{ TO-4012-B	HOUSING ASSEMBLY-Rear Axle-R.H.					
	{ TO-4013-A	HOUSING ASSEMBLY-Rear Axle-L.H.					
	{ TO-4013-B	HOUSING ASSEMBLY-Rear Axle-L.H.	1	1		*	*
composed of Housing not serviced and items 8 thru 10							
8	S-9826	CUP-Rear Axle Housing Bearing	1	1	1	1	1
9	TO-2477-A	BUSHING-Brake Cross Shaft	1	1	1	1	1
10	S-74121	PLUG-Expansion	1	1	1	1	1
11	{ TO-4035	GASKET-Rear Axle to Center Housing	2	2	2	2	2
	{ TO-4035-A	GASKET-Rear Axle to Center Housing					
12	{ TO-563-A	SHAFT-Lower Link Support	2	2		*	*
	{ 62-204	WASHER-Flat					
	{ S-9770-F	NUT- Elastic Stop } Lower Link to Support Shaft	2	2	2	2	2
	{ 62-001-100	BOLT-Hex Head-Prior to # 16979	2	2	2	2	2
13	{ TO-1175	BOLT-After # 16979	12	12		*	*
	{ 62-003	NUT-Hex					
14	TO-1114	NUT-Rear Wheel Disc	12	12		12	12
15	TO-1108-B	RIM ASSEMBLY-Rear Wheel (w/TO-1122 for TE and TE-A20).	16	16		16	16
16	TO-1122	DISC-Rear Wheel	2	2	2	2	2
17	TO-1127	SCREW-Brake Drum to Rear Axle Shaft	4	4	4	4	4
18	TO-1126-B	DRUM-Brake	2	2	2	2	2
19	{ TO-4234-A	SHAFT ASSEMBLY-Rear Axle	2	2		*	*
	{ TO-4234-B	SHAFT ASSEMBLY-Rear Axle					
composed of Shaft not serviced and item 20							
20	TO-1115	BOLT-Rear Wheel Disc	16	16		*	*
21	S-9908	SEAL-Oil-Rear Axle Shaft Retainer	2	2		2	2
22	{ TO-4124-A	RETAINER ASSEMBLY-Rear Axle	2	2		2	2
	{ TO-4124-B	RETAINER ASSEMBLY-Rear Axle					
composed of Retainer not serviced and item 23							
23	TO-4260	SHIELD-Oil-Rear Axle Retainer-Not Illustrated	1	1	2	1	1
24	S-9829	CUP-Rear Axle Retainer Bearing	1	1	2	2	2
25	S-9828	CONE AND ROLLER-Rear Axle, Retainer	2	2	2	2	2
	TO-4132	COLLAR-Rear Axle Shaft	2	2	2	2	2
	TO-1710	SLEEVE-Tire Mounting-Long	2	2		2	2
	TO-1710-A	SLEEVE-Tire Mounting-Short	2	2		2	2
} Not Illustrated							
* TE- and TE-A20 Service Items-Not Illustrated							
7	{ 9512	HOUSING ASSEMBLY-Rear Axle-L.H.				1	1
	{ 9514	HOUSING ASSEMBLY-Rear Axle-R.H.					
9	1289	BUSHING-Brake Cross Shaft				1	1
12	{ 1025	SHAFT-Lower Link Support				2	2
	{ 62-013	NUT-Lower Support Shaft					
13	1385	BOLT-Disc to Rim				2	2
18	8648	DRUM ASSEMBLY-Brake				12	12
19	{ 8623	SHAFT ASSEMBLY-Rear Axle-Prior to # 200,001				2	2
	{ 8666	SHAFT ASSEMBLY-Rear Axle-After #200,001					
20	1187	BOLT-Rear Wheel Disc				16	16
	1011	GASKET-Lower Link Support Plate				2	2
	1024	PLATE-Lower Link Support				2	2
	1145	STUD-Lower Link Support Plate				2	2

TRACTOR PARTS LIST

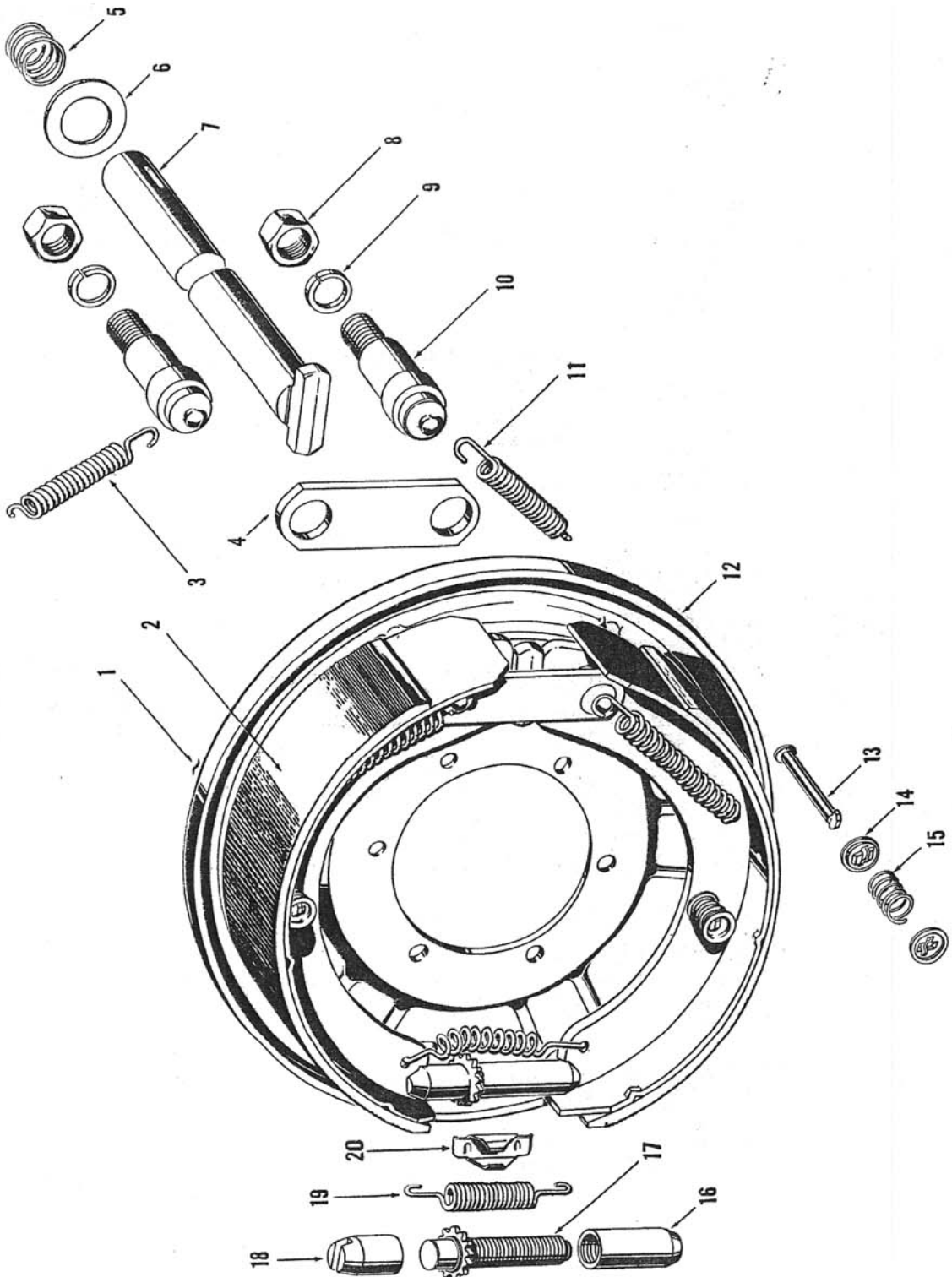


FIG. 11

TRACTOR PARTS LIST

REF. NO.	PART NO.	DESCRIPTION	QUAN. REQUIRED				
			TO-30	TO-20	9N-2N	TE-20	TEA-20
FIG. 11 BRAKE ASSEMBLY							
1	TO-2225	BRAKE ASSEMBLY composed of items 2, 8 thru 10 and 12 thru 20	2	2		*	*
2	{ TO-2100 TO-2100-A	SHOE AND LINING KIT-Set of Four	1	1		*	*
		SHOE AND LINING KIT-.030 Oversize-Set of Four		1		*	
3	TO-2034	SPRING-Brake Shoe Top-Black	1	1		*	*
4	TO-2063	BRAKE-Anchor Pin	1	1		*	*
5	TO-2245	SPRING-Brake Shaft Cover Washer	1	1			
6	TO-2246	WASHER-Brake Shaft Cover	1	1			
7	TO-2247	SHAFT-Brake	1	1		*	*
8	TO-2062	NUT-Hex-Anchor Pin	2	2		*	*
9	TO-2065	WASHER-Lock-Anchor Pin	2	2		*	*
10	TO-2104	PIN-Brake Anchor	2	2		*	*
11	TO-2036	SPRING-Brake Shoe Bottom-Blue	1	1		*	*
12	TO-2212	PLATE ASSEMBLY-Backing composed of Plate not serviced and	1	1		*	*
	TO-2217-A	SEAL-Dust Brake Backing Plate	1				
13	TO-2069	PIN-Brake Shoe Hold Down Spring	2	2			
14	TO-2071	CUP-Brake Shoe Hold Down Spring	4	4		*	*
15	TO-2068	SPRING-Brake Shoe Hold Down	2	2			
16	TO-2087	NUT-Brake Adjusting Screw	1	1		*	*
17	TO-2038	SCREW-Brake Adjusting	1	1		*	*
18	TO-2042	SOCKET-Brake Adjusting Screw	1	1		*	*
19	TO-2035	SPRING-Brake Shoe Return-Rear-Red	1	1		*	*
20	TO-2244	COVER-Hole-Adjusting Screw	1				
<u>* TE- and TE-A20 Service Items-Not Illustrated</u>							
1	{ 9526 9692 9525 9691	BRAKE ASSEMBLY-R.H.-Prior # 200,001				1	1
		BRAKE ASSEMBLY-R.H.-After # 200,001					1
		BRAKE ASSEMBLY-L.H.-Prior # 200,001				1	1
		BRAKE ASSEMBLY-L.H.-After # 200,001					1
2	{ 7118 7340	SHOE AND LINING KIT-(Pair)-Prior to # 200,001				2	2
		SHOE AND LINING KIT-Pair-After # 200,001					2
3	{ 1544 4481	SPRING-Primary-Secondary-Prior to # 200,001				1	1
		SPRING-Primary-Brake-After # 200,001					1
4	1527	BRAKE-Anchor Pin				1	1
7	{ 4186 1530 TS-2229 1535 1536	SHAFT AND CRANK ASSEMBLY-Brake				1	1
		PLATE AND BLOCK ASSEMBLY-Brake Cam				1	1
		SPRING-Crank Lever Return				1	1
		COLLAR-Brake Shaft				1	1
		SCREW-Set-Brake Shaft Collar				1	1
8	TS-2256	NUT-Hex-Anchor Pin				2	2
9	1525	WASHER-Lock Anchor Pin				2	2

Continued on Page 21

TRACTOR PARTS LIST

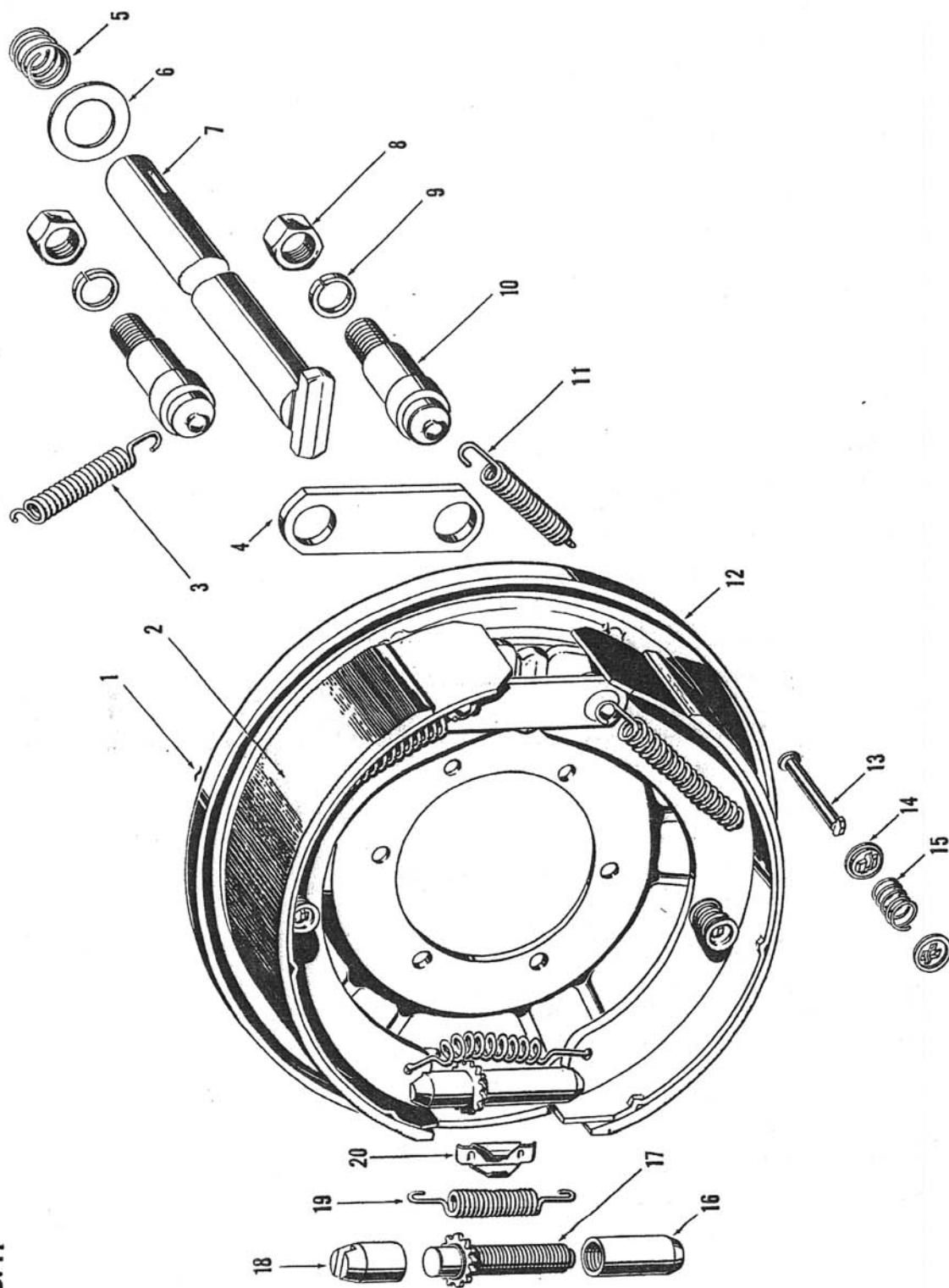


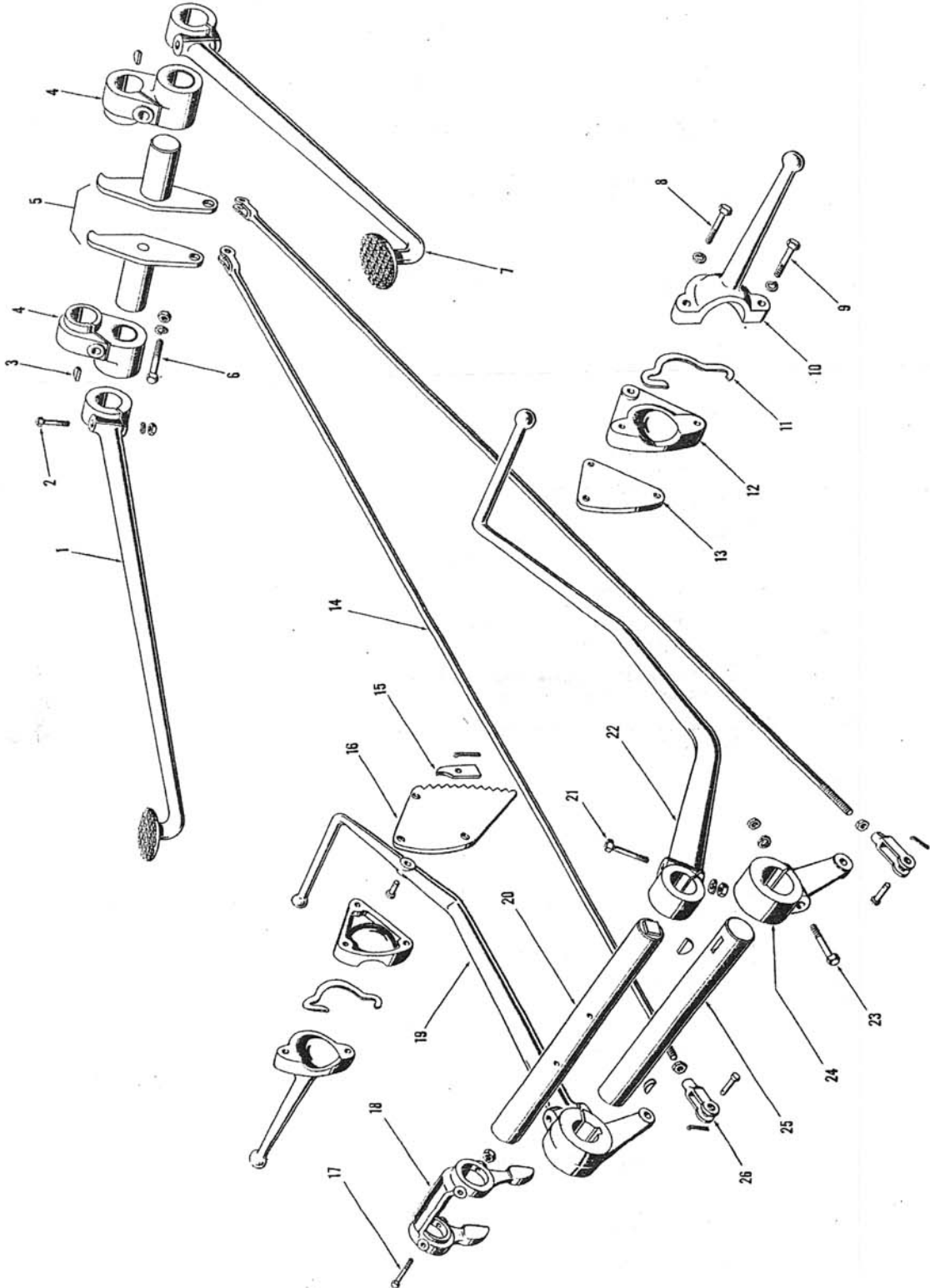
FIG. 11

TRACTOR PARTS LIST

REF. NO.	PART NO.	DESCRIPTION	QUAN. REQUIRED					
			TO-30	TO-20	9N-2N	TE-20	TEA-20	
FIG. 11 BRAKE ASSEMBLY—Cont'd.								
* TE- and TE-A20 Service Items-Not Illustrated (Con't.)								
10	{	4183	PIN AND PLATE ASSEMBLY-Anchor-Prior to # 200,001				1	1
		4480	PIN AND PLATE ASSEMBLY-Anchor-After # 200,001					1
		4187	BEARING-Control Shaft				1	
11	{	1544	SPRING-Primary-Secondary-Prior # 200,001				1	1
		4482	SPRING-Secondary-After # 200,001					1
12	{	8579	PLATE-Backing-R.H.-Prior to # 200,001				1	1
		8755	PLATE-Backing-R.H.-After # 200,001					1
		8578	PLATE-Backing-L.H.-Prior to # 200,001				1	1
		8754	PLATE-Backing-L.H.-After # 200,001					1
14	{	1999	NUT-Spacer Pin Hold Down				2	2
		1542	WASHER-Spacer Pin Hold Down				2	2
16	{	1521	SCREW-Adjuster-L.H.-Prior # 200,001				1	1
		2573	SCREW-Adjuster-L.H.-After # 200,001					1
17	{	1520	PINION-Adjuster-Screw				1	1
		1537	WHEEL-Crown				1	1
		1538	BALL-Crown Wheel				1	1
		1539	RETAINER-Crown Wheel Ball				1	1
		1540	WASHER-Lock-Crown Wheel				1	1
		1541	RING-Lock-Crown Wheel				1	1
18	{	1522	SCREW-Adjuster-R.H.-Prior to # 200,001				1	1
		2574	SCREW-Adjuster-R.H.-After # 200,001					1
19	TS-2274	SPRING-Brake Shoe Adjuster				1	1	
	1519	ADJUSTER ASSEMBLY-Screw-Prior to # 200,001 composed of 1520, 1521 and 1522				1	1	
	2578	ADJUSTER ASSEMBLY-Screw-After # 200,001 composed of 1520, 2573 and 2574					1	
	TS-2234	NUT-Back Plate to Steady Post				4	4	
	1528	POST-Back Plate Steady				4	4	
	1531	BOLT-Centralizer				1	1	
	1534	NUT-Centralizer Bolt				1	1	
	4185	CENTRALIZER-L.H.				1	1	
	4184	CENTRALIZER-R.H.				1	1	
	2549	PIN-Shoe Spacer Brake-After # 200,001					4	
	2551	PLATE-Anchor Pin Brake-After # 200,001					2	
	2552	PLATE-Camshaft Cover Brake-After # 200,001					2	
	2553	SPRING-Cover Plate-Brake-After # 200,001					2	
	2555	PLATE-Retaining Brake-After # 200,001					2	
	7343	CAMSHAFT-L.H.-Brake Actuating-After # 200,001					1	
	7344	CAMSHAFT-R.H.-Brake Actuating-After # 200,001					1	
	2341	DOWEL-Centralizer-After # 200,001					1	
	4427	SPRING-Centralizer-R.H.-After # 200,001					1	
	4428	BRACKET-Centralizer-R.H.-After # 200,001					1	
	4429	BRACKET-Centralizer-L.H.-After # 200,001					1	

TRACTOR PARTS LIST

FIG. 12

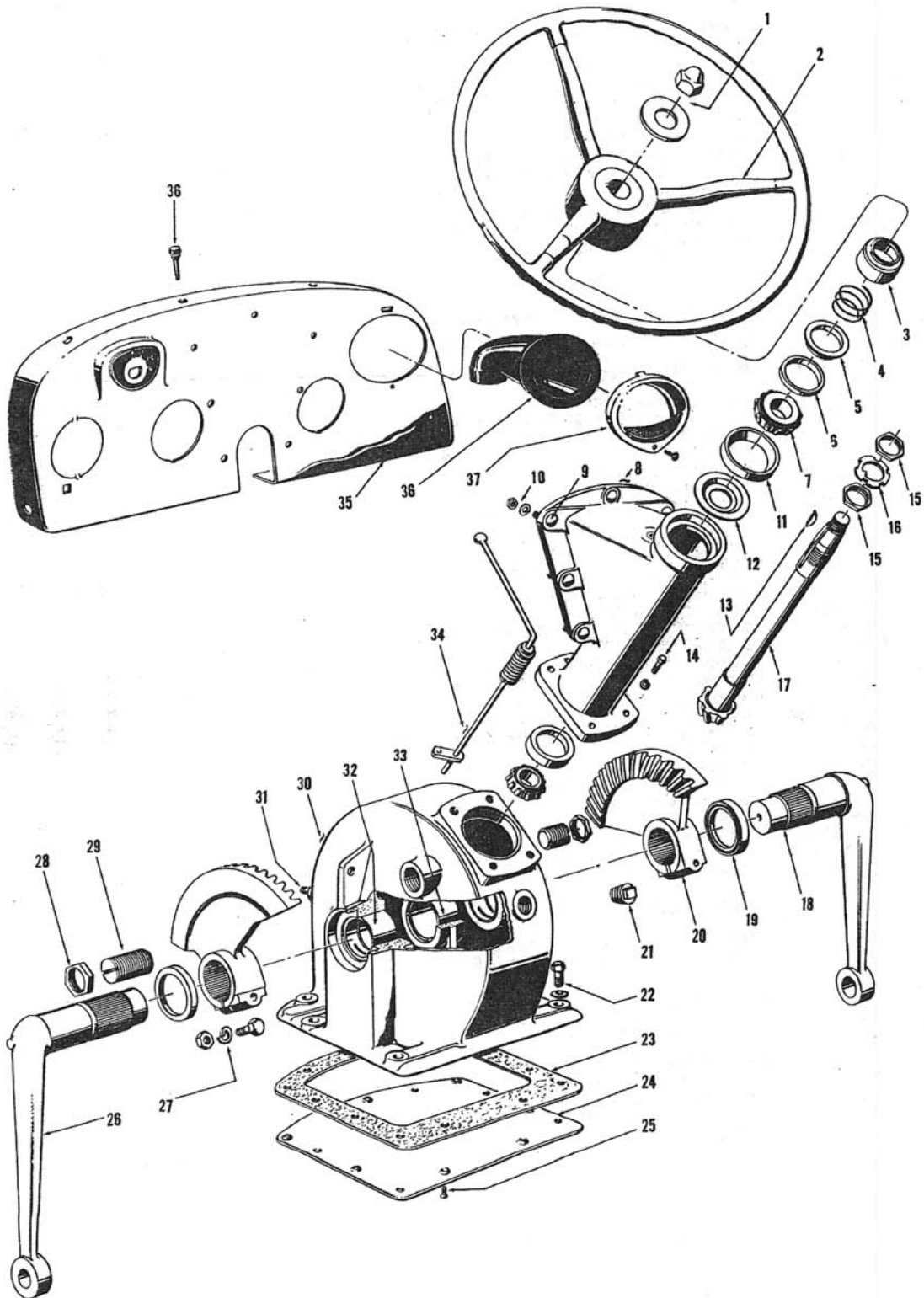


TRACTOR PARTS LIST

REF. NO.	PART NO.	DESCRIPTION	QUAN. REQUIRED				
			TO-30	TO-20	9N-2N	TE-20	TEA-20
FIG. 12 BRAKE AND CLUTCH PEDALS AND RELATED PARTS							
1	TO-2455-B	PEDAL AND PAD ASSEMBLY-Brake-R.H.	1	1		*	*
2	{ 44-001-212	BOLT-Hex Head	2	2		2	2
	{ 44-14	WASHER-Lock					
3	{ 44-003	NUT-Hex	2	2		2	2
	{ 19-09-112	KEY-Woodruff-Brake Linkage					
4	{ TO-2060	LINKAGE AND BUSHING ASSEMBLY-Brake-R.H.	1	1		1	1
	{ TO-2061	LINKAGE AND BUSHING ASSEMBLY-Brake-L.H.					
			composed of				
5	{ S-10013	BUSHING-Brake Linkage-Shown in position	1	1		1	1
	{ TO-2051	STOP AND SHAFT ASSEMBLY-Brake-L.H.					
6	{ TO-2053	STOP AND SHAFT ASSEMBLY-Brake-R.H.	1	1		1	1
	{ 44-001-238	BOLT-Hex Head					
7	{ 44-14	WASHER-Lock	2	2		2	2
	{ 44-003	NUT-Hex					
8	TO-2456-B	PEDAL AND PAD ASSEMBLY-Brake-L.H.	1	1		*	*
9	{ 44-101-150	SCREW-Cap	2	2		2	2
	{ 44-14	WASHER-Lock					
10	{ 44-101-288	SCREW-Cap	4	4		4	4
	{ 44-14	WASHER-Lock					
11	TO-3440	CAP-Ball-Radius Rod	2	2	2	2	2
12	TO-3441-A	SHIM-Radius Rod Ball Cap and Spacer	As Req	As Req	As Req	As Req	As Req
13	TO-3442	SPACER-Radius Rod Ball Cap	2	2		2	2
14	TO-3446	PLATE-Trans. Case to Ball Cap Spacer	1	1		*	*
15	{ TO-2785-A	ROD AND YOKE ASSEMBLY-Brake	2	2		*	*
	{ TO-2786	PAWL-Brake Pedal					
16	{ S-10211-G	PIN-Clevis	1	1		1	1
	{ 12-05-50	PIN-Cotter					
17	TO-3443	SECTOR-Pawl-Combine Brake	1	1		1	1
18	{ 25-001-188	BOLT-Hex Head	2	2		2	2
	{ S-9773-C	NUT-Tri-Lock					
19	TO-7515	FORK-Clutch Release Shaft (w/TO-7515 for TE & TE-A20)	1	1		1	1
20	TO-2220-A	PEDAL-Combined Brake	1	1		*	*
21	{ TO-7510	SHAFT-Clutch Release-(w/TO-7515 for TE & TE-A20)	1	1		1	1
	{ 44-001-250	BOLT-Hex Head					
22	{ 44-14	WASHER-Lock	2	2		2	2
	{ 44-003	NUT-Hex					
23	{ TO-7519	PEDAL-Clutch	1	1		1	1
	{ 44-001-250	BOLT-Hex Head					
24	{ 44-14	WASHER-Lock	1	1		1	1
	{ 44-003	NUT-Hex					
25	TO-2221-A	ARM-Combine Brake	1	1		*	*
26	{ TO-2792-A	SHAFT-Combine Brake Cross	1	1		*	*
	{ 25-09-100	KEY-Woodruff					
27	{ S-9761-D	YOKE-Adjustable Brake Rod	2	2		*	*
	{ S-10212-A	PIN-Clevis					
28	{ 12-05-88	PIN-Cotter	4	4		4	4
	{ 38-1003	NUT-Hex Jam					
* TE- and TE-A20 Service Items-Not Illustrated							
1	4351	PEDAL AND PAD ASSEMBLY-Brake-R.H.				1	1
7	4352	PEDAL AND PAD ASSEMBLY-Brake-L.H.				1	1
13	4266	STOP-Clutch Pedal				1	1
14	1518	ROD-Brake				2	2
19	7097	PEDAL-Combined Brake				1	1
24	{ 4269	ARM-Combined Brake L.H.	1	1		1	1
	{ 4270	ARM-Combined Brake R.H.					
25	{ 4305	SHAFT-Combine Brake Cross	1	1		1	1
	{ S-10213-A	PIN-Clevis-Brake Rod					
26	{ 1317	YOKE-Adjustable Brake Rod-Front	2	2		2	2
	{ 1488	YOKE-Adjustable Brake Rod-Rear					

TRACTOR PARTS LIST

FIG. 13

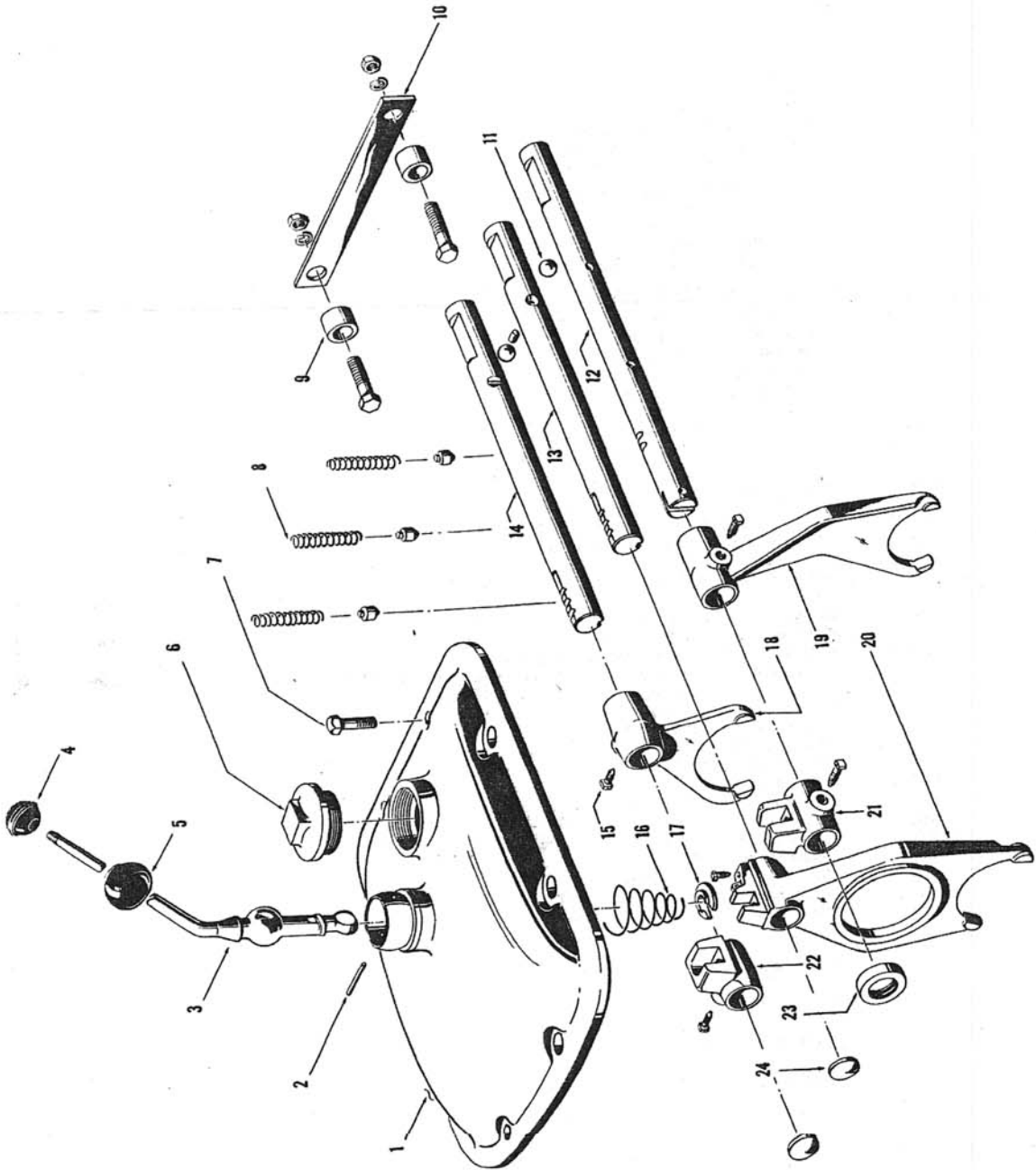


TRACTOR PARTS LIST

REF. NO.	PART NO.	DESCRIPTION	QUAN. REQUIRED				
			TO-30	TO-20	9N-2N	TE-20	TEA-20
FIG. 13 STEERING GEAR, INSTRUMENT PANEL AND RELATED PARTS							
1	{ S-351103	NUT-Dome-Steering Wheel	1	1	1	1	1
	{ TO-3673	WASHER-Steering Wheel Dome Nut	1	1	1	1	1
2	TO-3600	WHEEL-Steering	1	1	1	1	1
3	TO-3669	CAP-Steering Column	1	1		1	1
4	TO-3699	SPRING-Steering Column Dust Seal	1	1	1	1	1
5	TO-3661	RETAINER-Steering Column Dust Seal	1	1	1	1	1
6	TO-3660	SEAL-Dust-Steering Column	1	1	1	1	1
7	S-9822	CONE AND ROLLER-Steering Column	2	2		2	2
8	TO-3561	HOUSING ASSEMBLY-Steering Gear Upper	1	1		1	1
		composed of housing not serviced and items 9 thru 12					
9	TO-3534	BOLT-Ribbed-Steering Housing to Panel	7	7		7	7
	{ 31-14	WASHER-Lock } Ribbed Bolt	7	7		7	7
10	{ 31-003	NUT-Hex }					
11	S-9823	CUP-Bearing-Steering Column	2	2		2	2
12	TO-3598	RETAINER-Steering Column Oil	1	1	1	1	1
13	19-09-75	KEY-Woodruff-Steering Shaft to Wheel	1	1		1	1
14	{ 44-101-138	SCREW-Cap } Upper to Lower Housing	4	4		4	4
	{ 44-14	WASHER-Lock }					
15	S-351119	NUT-Lock-Steering Shaft	2	2	2	2	2
16	TO-3652	WASHER-Lock-Steering Shaft	1	1		1	1
17	TO-3525	SHAFT AND PINION-Steering	1	1		1	1
18	TO-3531	ARM-Steering Gear Sector-R.H.	1	1		1	1
19	S-9910	SEAL-Steering Gear Sector Arm	2	2		2	2
20	TO-3526	SECTOR-Steering Gear	2	2		2	2
21	S-353051	PLUG-Dry Seal-Lower Housing Filler	1	1		1	1
22	{ 44-101-150	SCREW-Cap } Lower Housing to Trans. Case	6	6	6	12	12
	{ 44-104	WASHER-Flat }					
23	TO-3558-A	GASKET-Lower Steering Housing	2	2		*	*
24	TO-3555-A	PLATE-Lower Steering Housing	1	1		*	*
25	19-102-38	SCREW-Flat Head-Plate to Lower Housing	7	7		*	*
26	TO-3530	ARM-Steering Gear Sector-L.H.	1	1		1	1
27	{ 44-001-231	BOLT-Hex Head } Steering Gear Sector to Arm	2	2		2	2
	{ 44-14	WASHER-Lock }					
	{ 44-003	NUT-Hex }					
28	75-1003	NUT-Hex Jam-Steering Gear Adjusting Screw	2	2		2	2
29	TO-3529	SCREW-Adjusting-Steering Gear	2	2		2	2
30	TO-3520-A	HOUSING ASSEMBLY-Steering Gear-Lower	1	1		*	*
		composed of housing not serviced and items 31 thru 33					
31	44-0132-112	STUD-Threaded-Lower Housing to Platform	2	2		2	2
32	TO-3517	BUSHING-Steering Arm-Outer	2	2		2	2
33	S-10012	BUSHING-Steering Arm-Inner	1	1		1	1
34	TO-9808	LEVER ASSEMBLY-Throttle Control	1	1		1	1
	{ TO-3513	PANEL-Instrument	1	1		1	*
	{ TO-3513-A	PANEL-Instrument	1				
35	TO-3694	PLATE-Ignition Switch Index	1				
	{ S-10100	PLUG-Button-Instrument Panel-Small-Not Illustrated		1		1	
	{ S-10101	PLUG-Button-Instrument Panel-Large-Not Illustrated		1		1	
36	TO-9614	HOSE-Air Inlet-Rubber	1				*
37	{ TO-9612	COVER AND SCREEN ASSEMBLY-Air Inlet	1				
	{ TO-9613-1	SCREW-Air Inlet Cover to Panel	1				
38	TO-16611	BUMPER-Rubber-Instrument Panel	6	6		*	*
<u>* TE- and TE-A20 Service Items-Not Illustrated</u>							
23	TS-3557	GASKET-Lower Steering Housing to Trans. Case				2	2
24	7177	PLATE-Lower Steering Housing				1	1
25	1547	SCREW-Flat Hd.-Plate to Lower Housing				10	10
30	1830	HOUSING ASSEMBLY-Lower Steering				1	1
35	2504	INSTRUMENT PANEL AND SEAL-After #200,001					1
36	1330	HOSE-Air Inlet-Rubber-After #200,001					1
38	1944	SEAL-Rubber-Instrument Panel				1	1
	7093	SUPPORT-Instrument Panel				1	1

TRACTOR PARTS LIST

FIG. 14



TRACTOR PARTS LIST

REF. NO.	PART NO.	DESCRIPTION	QUAN. REQUIRED				
			TO-30	TO-20	9N-2N	TE-20	TEA-20
FIG. 14 GEAR SHIFT LEVER, RAILS, FORKS AND RELATED PARTS							
1	TO-7222	COVER ASSEMBLY-Trans. Gear Shift	1	1		*	*
2	TO-7221	PIN-Gear Shift-Cover to Lever	1	1	1	1	1
3	TO-7210-B	LEVER-Gear Shift	1	1		1	1
4	TO-7211-A	BALL-Gear Shift Lever-Threaded	1	1			
5	{ TO-7277-A 12-06-88	COVER-Gear Shift Lever-Rubber	1	1		1	1
		RIVET-Button Head-Cover to Lever-Not Illustrated		1		1	1
6	{ TO-7010 TO-7010-A	PLUG-Filler Gear Shift Cover	1	1		1	1
		PLUG-Filler Gear Shift Cover	1	1			
7	44-101-88	SCREW-Cap-Trans. Cover to Case	8	8			
8	{ TO-7239 TO-7249	SPRING-Transmission Shifter Rail	3	3		3	3
		PLUNGER-Selector Rail Position	3	3		3	3
9	{ 44-001-188 TO-7238 44-14 44-003	BOLT-Hex Head	2	2		2	2
		SPACER					
		WASHER-Lock					
		NUT-Hex					
10	TO-7251	PLATE-Gear Lever Stop	1	1		1	1
11	{ S-353079 TO-7237	BALL-Steel-Shifter Rail	2	2		2	2
		PLUNGER-Selector Lock	1	1		1	1
12	TO-7242	RAIL-Shifter-Reverse (w/TO-7245 for TE and TE-A20)	1	1		1	1
13	TO-7241	RAIL-Shifter-3rd and 4th (w/TO-7245 for TE- and TE-A20).	1	1		1	1
14	TO-7240	RAIL-Shifter-1st and 2nd (w/TO-7245 for TE- and TE-A20).	1	1		1	1
15	TO-7245	SCREW-Lock-Gear Shifter Fork and Selector	5	5		5	5
16	TO-7227-A	SPRING-Gear Shift Lever	1	1		*	*
17	TO-7228	SEAT-Gear Shift Lever Spring	1	1		1	1
18	TO-7230	FORK-Shifter-1st and 2nd Gear	1	1		1	1
19	TO-7231	FORK-Shifter-Reverse Gear	1	1		1	1
20	TO-7236	FORK-Shifter-3rd and 4th Gear	1	1		*	*
21	TO-7248	SELECTOR-Shifter Fork Reverse Gear	1	1		*	*
22	TO-7247	SELECTOR-Shifter Fork 1st and 2nd Gear	1	1		*	*
23	S-9911	SEAL-Oil-Reverse Shifter Rail	1	1		1	1
24	S-74115	PLUG-Expansion-Shifter Rail	2	2		2	2
* TE- and TE-A20 Service Items-Not Illustrated							
1	{ 7081 4178 1943 1170 2563 1260 8542 1873 4149	CUP-Gear Shift Lever				1	1
		STOP Plate-Reverse and Starter				1	1
		GASKET-Gear Shift Lever Cup				1	1
		GASKET-Filler Plug				1	1
		WASHER-Tab-After # 200,001				1	1
		SPRING-Gear Shift Lever				1	1
		FORK-Shifter-3rd and 4th Gear				1	1
		SELECTOR-Shifter Fork Reverse Gear				1	1
22	4149	SELECTOR-Shifter Fork 1st and 2nd Gear				1	1

TRACTOR PARTS LIST

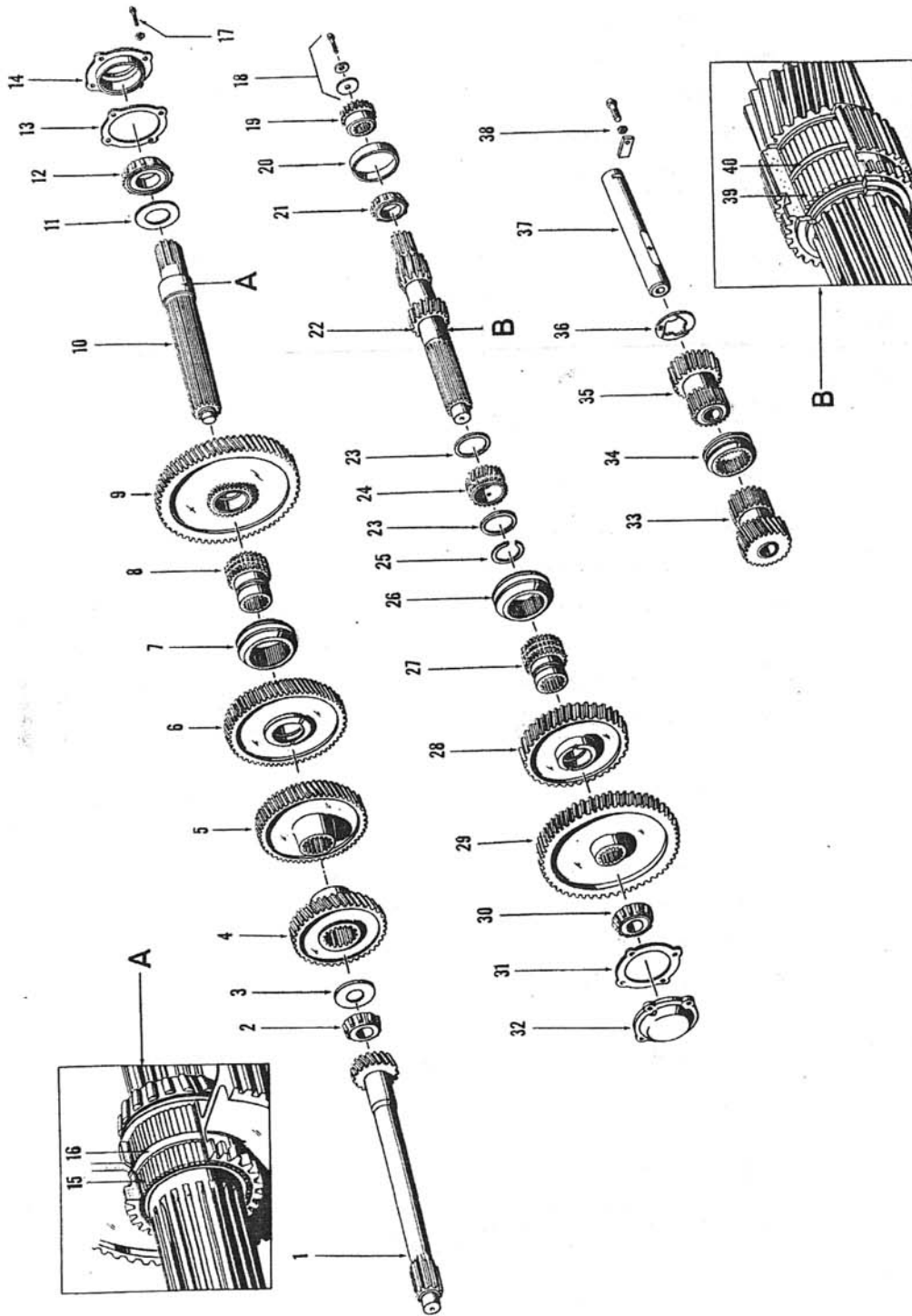


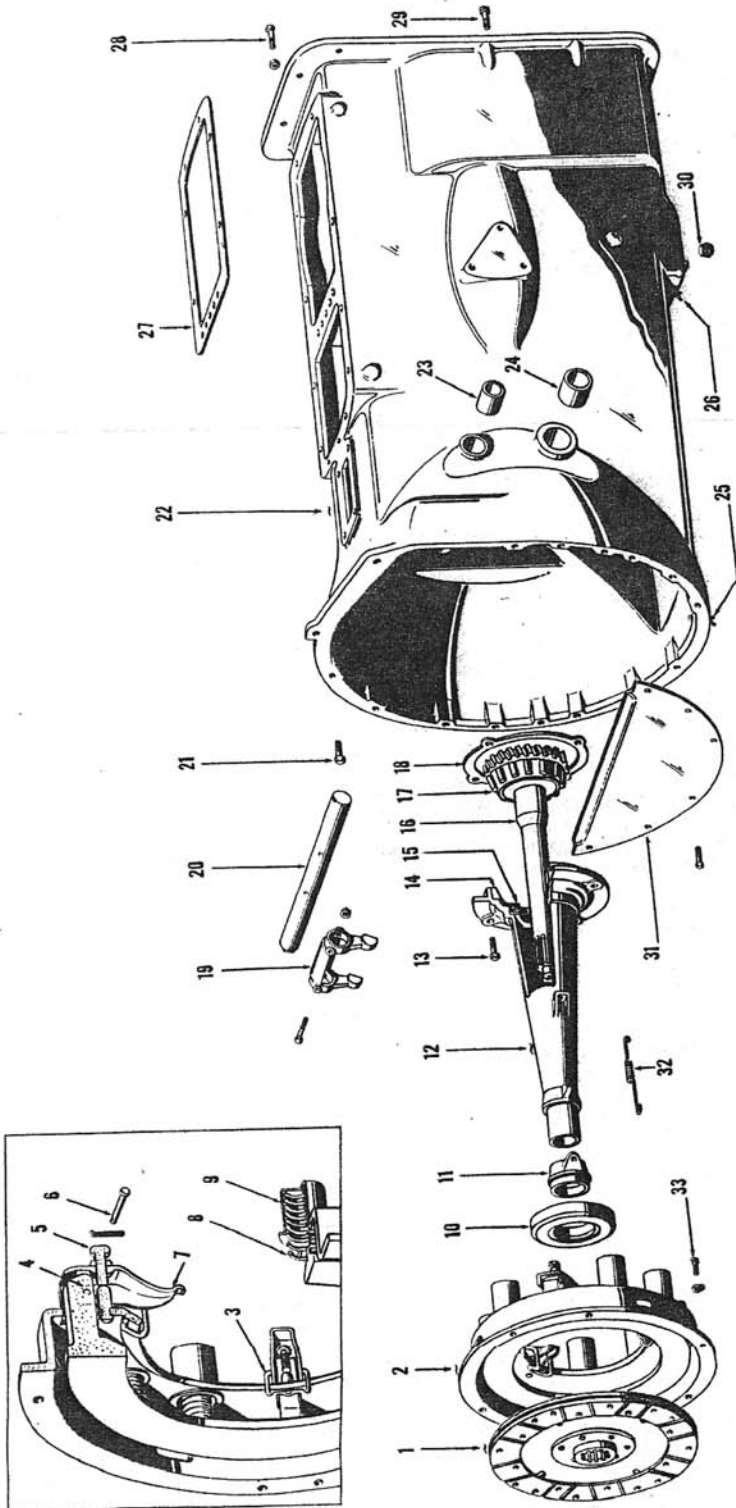
FIG. 15

TRACTOR PARTS LIST

REF. NO.	PART NO.	DESCRIPTION	QUAN. REQUIRED				
			TO-30	TO-20	9N-2N	TE-20	TEA-20
	TO-7002	FIG. 15 TRANSMISSION TRANSMISSION ASSEMBLY-Not Illustrated					
		composed of					
1	TO-7017	GEAR-Transmission Main Drive Shaft	1	1	1	1	1
2	S-9836	CONE AND ROLLER-Main Drive Shaft Pilot	1	1	1	1	1
3	TO-7071-B	WASHER-Thrust-Main Shaft Front	1	1	1	1	1
4	TO-7110	GEAR-4th-Transmission Main Shaft	1	1	1	1	1
5	TO-7102	GEAR-3rd-Transmission Main Shaft	1	1	1	1	1
6	TO-7119-A	GEAR AND BUSHING-2nd-Trans. Main Shaft	1	1	1	1	1
7	TO-7106	COUPLING-Sliding-Transmission	1	1	1	1	1
8	TO-7105	CONNECTOR-Coupling-Main Shaft	1	1	1	1	1
9	TO-7100-A	GEAR-1st-Transmission Main Shaft	1	1	*	*	*
10	TO-7061-A	SHAFT-Main-Transmission	1	1	*	*	*
11	TO-7071-A	WASHER-Thrust-Main Shaft-Rear	1	1	1	1	1
12	S-9834	CONE AND ROLLER-Main Shaft-Rear	1	1	1	1	1
	{ TO-7135-A	SHIM-.003 Thick					
	{ TO-7135-F	SHIM-.005 Thick					
13	{ TO-7135-G	SHIM-.012 Thick	As Req.	As Req.	As Req.	As Req.	As Req.
	{ TO-7135-H	SHIM-.025 Thick					
14	TO-7084	RETAINER ASSEMBLY-Main Shaft Brg.-Rear	1	1	1	1	1
		composed of Retainer not serviced and					
	S-9835	CUP-Bearing-Shown in position	1	1	1	1	1
15	TO-7257	BEARING-Needle-1st Gear to Main Shaft	104	104			
16	TO-7063	SPACER-1st Gear Needle Bearing	1	1			
	{ 38-101-112	SCREW-Cap					
	{ 38-14	WASHER-Lock	8	8	8	8	8
17	{ 38-001-100	BOLT-Hex Head					
	{ 38-14	WASHER-Lock	1	1	1	1	1
18	{ S-351406	WASHER-Retainer					
	TO-716	HUB-Power Take-Off Clutch	1	1	1	1	1
19	S-9835	CUP-Bearing-P.T.O. Support	1	1	1	1	1
20	S-9834	CONE AND ROLLER-P.T.O. Clutch Hub	1	1	1	1	1
21	TO-7111-A	COUNTERSHAFT-Transmission	1	1	*	*	*
22	TO-7253	WASHER-Thrust-Countershaft	2	2	*	*	*
23	TO-7114-A	GEAR-3rd-Transmission Countershaft	1	1	*	*	*
24	S-10167	RING-Snap-3rd Gear Countershaft	1	1			
25	TO-7106	COUPLING-Sliding-Transmission	1	1	1	1	1
26	TO-7127	CONNECTOR-Coupling-Countershaft	1	1	*	*	*
27	TO-7121	GEAR AND BUSHING ASSEMBLY-4th Countershaft	1	1	1	1	1
28	TO-7113	GEAR-Transmission Countershaft	1	1	1	1	1
29	S-9834	CONE AND ROLLER-Countershaft-Front	1	1	1	1	1
30	TO-7086	GASKET-Countershaft Bearing Retainer	1	1	1	1	1
31	TO-7132	RETAINER ASSEMBLY-Countershaft Bearing-Front	1	1	1	1	1
		composed of Retainer not serviced and					
	S-9835	CUP-Bearing-Pressed in position	1	1	1	1	1
33	TO-7146	GEAR AND BUSHING ASSEMBLY-Reverse Driver	1	1	1	1	1
34	TO-7145	COUPLING-Sliding-Reverse Shaft	1	1	1	1	1
35	TO-7141	GEAR AND BUSHING-Reverse Idler	1	1	1	1	1
36	{ TO-7149	WASHER-Thrust-Reverse Gear-Prior to # 31946	1	1	1	1	1
	{ TO-7149-A	WASHER-Thrust-Reverse Gear-After # 31946	1	1	1	1	1
37	TO-7140-A	SHAFT-Transmission Reverse Gear	1	1	1	1	1
	{ TO-7156	STOP-Transmission Reverse Gear Shaft	1	1	1	1	1
	{ TO-7157	BOLT-Lock Reverse Gear Shaft-Prior to # 31946	1	1	1	1	1
38	{ 31-101-88	BOLT-Hex Head-Lock Reverse Gear Shaft-After # 31946	1	1	1	1	1
	{ 31-14	WASHER-Lock-Reverse Gear Shaft Bolt	1	1	1	1	1
39	TO-7256	BEARING-Needle-3rd Gear Countershaft	76	76	*	*	*
40	TO-7252	SPACER-3rd Gear Needle Bearing	3	3			
		* TE- and TE-A20 Service Items-Not Illustrated					
9	7121	GEAR ASSEMBLY-1st Transmission Main Shaft				1	1
10	4057	SHAFT-Main-Transmission				1	1
	{ 7120	COUNTERSHAFT ASSEMBLY-Transmission-Prior to # 146308				1	1
22	{ 7291	COUNTERSHAFT ASSEMBLY-Transmission-After # 146308				1	1
	{ 1485	WASHER-Thrust-Countershaft-Prior to # 146308				2	2
23	{ 2406	WASHER-Thrust-Countershaft-Optional w/2366 after #146308.				2	2
	{ 2366	WASHER-Thrust-Countershaft-Optional w/2406 after #146308.				2	2
24	{ 4040	GEAR-3rd-Transmission Countershaft-Prior to # 146308				1	1
	{ 7292	GEAR-3rd-Transmission Countershaft-After # 146308				1	1
	{ TO-7105	CONNECTOR-Coupling-w/TO-7106-Prior to # 146308				1	1
	{ TO-7106	COUPLING-Sliding-w/TO-7105-Prior to # 146308				1	1
27	{ 2399	COLLAR-Split-After # 146308				2	2
	{ 2426	GEAR ASSY.-Connecting-After # 146308				1	1
39	TS-7116	BUSHING-3rd Gear Countershaft				1	1

TRACTOR PARTS LIST

FIG.16

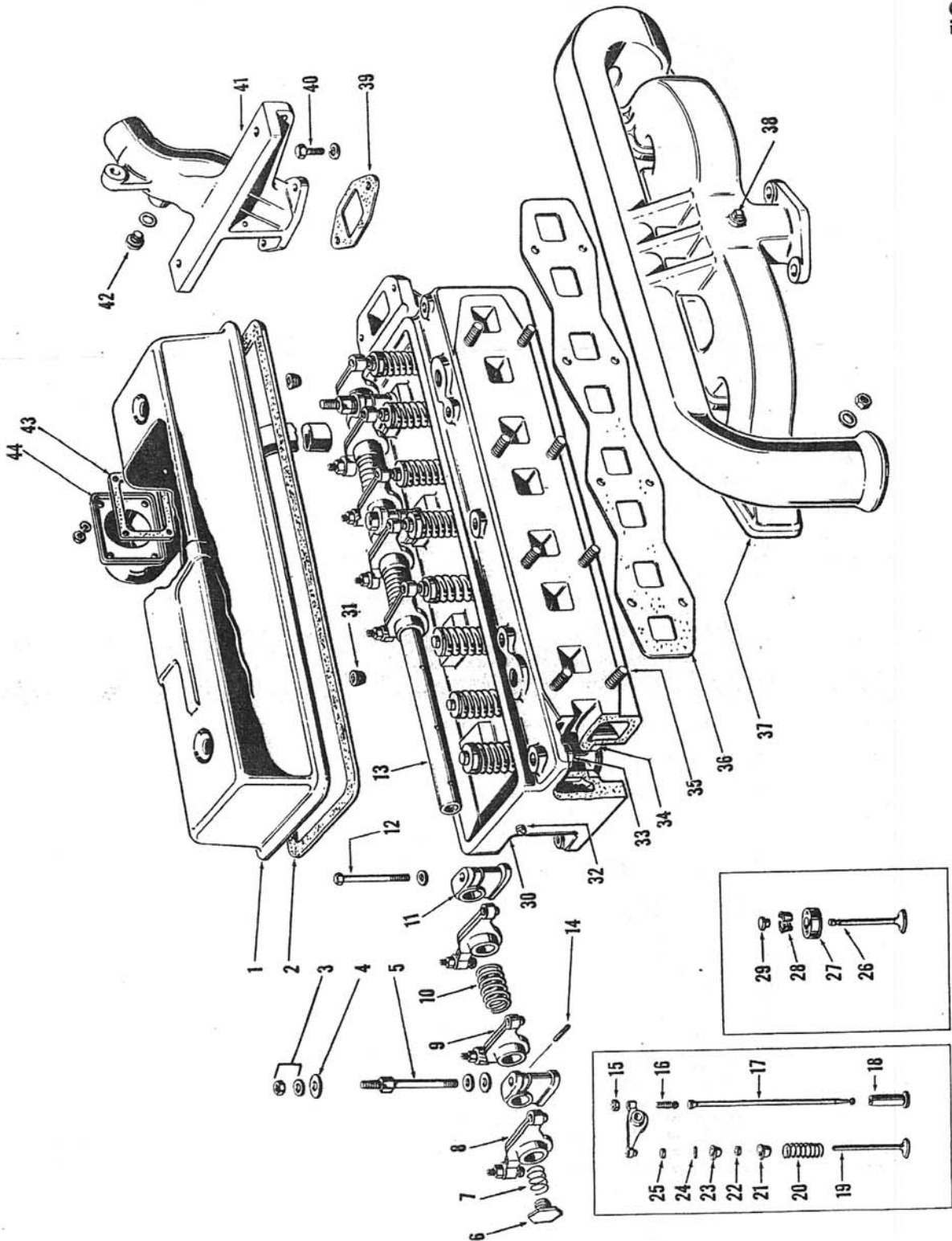


TRACTOR PARTS LIST

REF. NO.	PART NO.	DESCRIPTION	QUAN. REQUIRED				
			TO-30	TO-20	9N-2N	TE-20	TEA-20
FIG. 16 TRANSMISSION CASE, CLUTCH AND RELATED PARTS							
1	TO-7550-2	DISC ASSEMBLY-Clutch composed of Disc not serviced and	1	1	1	1	1
	TO-7548	FACING KIT-Clutch	1	1		*	*
	TO-7547	FACING KIT-Clutch-Long		1			
2	TO-7563-3	PLATE AND COVER ASSEMBLY-Clutch Pressure composed of Cover not serviced and items 3 thru 9	1	1	1	1	1
3	TO-7577	SPRING-Clutch Release Lever	3	3		*	*
4	TO-7566	PLATE-Clutch Pressure	1	1		*	*
5	TO-7575	NUT-Adjusting Screw } Clutch Release Lever	3	3		*	*
	TO-7576						
6	TO-7579	PIN-Clutch Release Lever	3	3		*	*
6	09-05-50	PIN-Cotter	3	3		*	*
7	TO-7591	LEVER-Clutch Release	3	3		*	*
8	TO-7572	SPRING-Clutch Thrust	6	6		*	*
9	TO-7572-B	SPRING-Clutch Thrust	6	6			
9	TO-7578	CUP-Clutch Thrust Spring	6	6			
10	S-9853	BEARING ASSEMBLY-Clutch Release	1	1	1	1	1
11	TO-7561	HUB-Clutch Release Bearing	1	1	1	1	1
12	TO-7051	RETAINER ASSEMBLY-Transmission Main Shaft Bearing composed of Retainer not serviced and item 14	1	1	1	1	1
13	38-101-112	SCREW-Cap-Retainer to Transmission Case	4	4	4	4	4
14	S-9835	CUP-Bearing-Main Shaft Retainer-Shown in Position	1	1	1	1	1
15	S-9907	SEAL-Oil Main Drive Gear-Shown in Position	1	1	1	1	1
16	TO-7017	GEAR-Transmission Main Drive	1	1	1	1	1
17	S-9834	CONE AND ROLLER-Main Drive Gear	1	1	1	1	1
18	TO-7086	GASKET-Main Shaft Bearing Retainer	1	1	1	1	1
19	TO-7515	FORK-Clutch Release Shaft-(w/TO-7510 for TE- and TE-A20)	1	1		1	1
19	25-001-188	BOLT-Hex Head } Fork to Clutch Release Shaft	2	2		2	2
	S-9773-C						
20	TO-7510	SHAFT-Clutch Release-(w/TO-7515 for TE-and TE-A20)	1	1		1	1
21	44-101-125	SCREW-Cap } Engine to Transmission Case	6	6		6	6
21	44-101-100						
22	TO-7005	CASE ASSEMBLY-Transmission composed of Case not serviced and items 23 thru 26	1	1		*	*
23	TO-7508	BUSHING-Clutch Shaft	2	2		2	2
24	TO-7244	BUSHING-Brake Shaft	2	2		*	*
25	19-05-88	PIN-Cotter-Transmission Case Drain Hole	1	1			
26	19-05-62	PIN-Cotter-Transmission Case Drain Hole	1	1			
27	TO-7213	GASKET-Transmission Shifter Plate Cover	1	1		*	*
28	44-001-138	BOLT-Hex Head } Center Housing to Transmission Case	8	8	8	8	8
	44-003						
29	44-101-112	SCREW-Cap-Center Housing to Transmission Case	2	2			
30	S-353051	PLUG-Pipe-Drain Hole	1	1		1	1
	S-353065	PLUG-Pipe-Side Hole-Not Illustrated	1	1			
	TO-7246	PLATE-Transmission Case Cover	1	1		1	1
31	44-101-50	SCREW-Cap-Cover to Case	6	6		6	6
32	TO-7562	SPRING-Clutch Release Bearing	2	2	2	2	2
33	TO-7564	BOLT-Hex Head } Clutch Cover to Flywheel	6	6		6	6
	31-14						
* TE- and TE-A20 Service Items-Not Illustrated							
1	59621	FACING KIT-Clutch					1
3	35249	SPRING-Clutch Release Lever				3	3
4	46032	PLATE-Clutch Pressure				1	1
5	41325	BOLT-Eye-Adjusting				3	3
	35253	NUT-Adjusting Eye Bolt				3	3
6	42537	PIN-Clutch Release Lever				3	3
7	51681	LEVER-Clutch Release				3	3
	41326	STRUT-Clutch Release Lever				3	3
8	48648	SPRING-Clutch Thrust-Prior to # 172,597				9	9
	48650	SPRING-Clutch Thrust-After # 172,597				9	9
22	1824	CASE ASSEMBLY-Transmission-Order TO-7005 and TS-7244- Prior to # 200,001				1	1
	2479	CASE ASSEMBLY-Transmission-After # 200,001					1
24	TS-7244	BUSHING-Brake Shaft				1	1
27	TS-3557	GASKET-Transmission Case to Steering Housing				1	1
	1351	STRUT-Front Axle to Transmission Case				2	2
	1352	FLANGE-Transmission Case Strut				2	2
	8607	GASKET-Transmission Case to Engine-For 1824 Case-Prior to # 200,001				1	1
	8740	GASKET-Transmission Case to Engine After # 200,001				1	1
	8624	COVER ASSEMBLY-Prior to # 200,001				1	1
	2641	COVER ASSEMBLY-After # 200,001					1

TRACTOR PARTS LIST

FIG. 17



TRACTOR PARTS LIST

REF. NO.	PART NO.	DESCRIPTION	QUAN. REQUIRED		
			TO-30	TO-20	TE-20
FIG. 17 ENGINE-CYLINDER HEAD, VALVES AND RELATED PARTS					
	TO-6005-A	ENGINE ASSEMBLY-Less Electrical, Carburetor and Oil Filter	1		
	TO-6005	ENGINE ASSEMBLY-Less Electrical and Carburetor		1	1
1	Z129A-5000	COVER ASSEMBLY-Cylinder Head	1	1	1
2	Z120A-301	GASKET-Cylinder Head Cover to Cylinder Head	1	1	1
3	{ X-18080 UB-110	NUT-Hex } Washer-Flat } Rocker Arm Stud to Cover	2	2	2
4	X-211-A	GASKET-Rocker Arm Stud to Cover	2	2	2
5	{ Z120I-209 Z129I-201	STUD-Rocker Arm-Prior to Engine # 158,787 STUD-Rocker Arm-After Engine # 158,787	2	2	2
6	{ Z120I-214 Z120I-212	PLUG-Oil-Rocker Arm Shaft-Prior to Engine # 36,574 PLUG-Oil-Rocker Arm Shaft-After # 36,574 For TE-20	2	2	2
7	Z120I-204	SPRING-Rocker Arm Shaft Plug-Short	2	2	2
8	Z120I-2290	ROCKER ARM ASSEMBLY-R.H. composed of Arm and Bushing not serviced and items 15 and 16	4	4	4
9	Z120I-2280	ROCKER ARM ASSEMBLY-L.H. composed of Arm and Bushing not serviced and items 15 and 16	4	4	4
10	Z120I-205	SPRING-Rocker Arm Shaft-Long	3	3	3
11	Z120I-201	SUPPORT-Rocker Arm Shaft	4	4	4
12	{ X-3299 UB-110	SCREW-Rocker Arm Shaft Support to Cylinder Head WASHER-Flat-Rocker Arm Stud and Screw	2 4	2 4	2 4
13	Z120I-4012	SHAFT ASSEMBLY-Rocker Arm composed of Shaft not serviced and item 6	1	1	1
14	X-1743-A	PIN-Rocker Arm Shaft Support	1	1	1
15	X-18196	NUT-Rocker Arm Adjusting Screw	8	8	8
16	G157I-202	SCREW-Rocker Arm Adjusting	8	8	8
17	Z120I-206	ROD-Push Valve	8	8	8
18	VT-3236	TAPPET-Valve	8	8	8
19	{ Z120T-123 Z120T-131 Z129T-117	VALVE SET-Exhaust VALVE SET-Intake VALVE SET-Intake	1 1 1	1 1 1	1 1 1
20	Y400I-215	SPRING-Valve	8	8	8
21	Z120I-210	GUARD-Valve Stem Oil-Inlet Only	4	4	4
22	Z120I-211	GASKET-Valve Stem Oil Guard-Inlet Only	4	4	4
23	Z120I-207	RETAINER-Valve Spring	4	8	8
24	Y400I-205	PIN-Valve Spring Retainer	4	8	8

Continued on Page 35

TRACTOR PARTS LIST

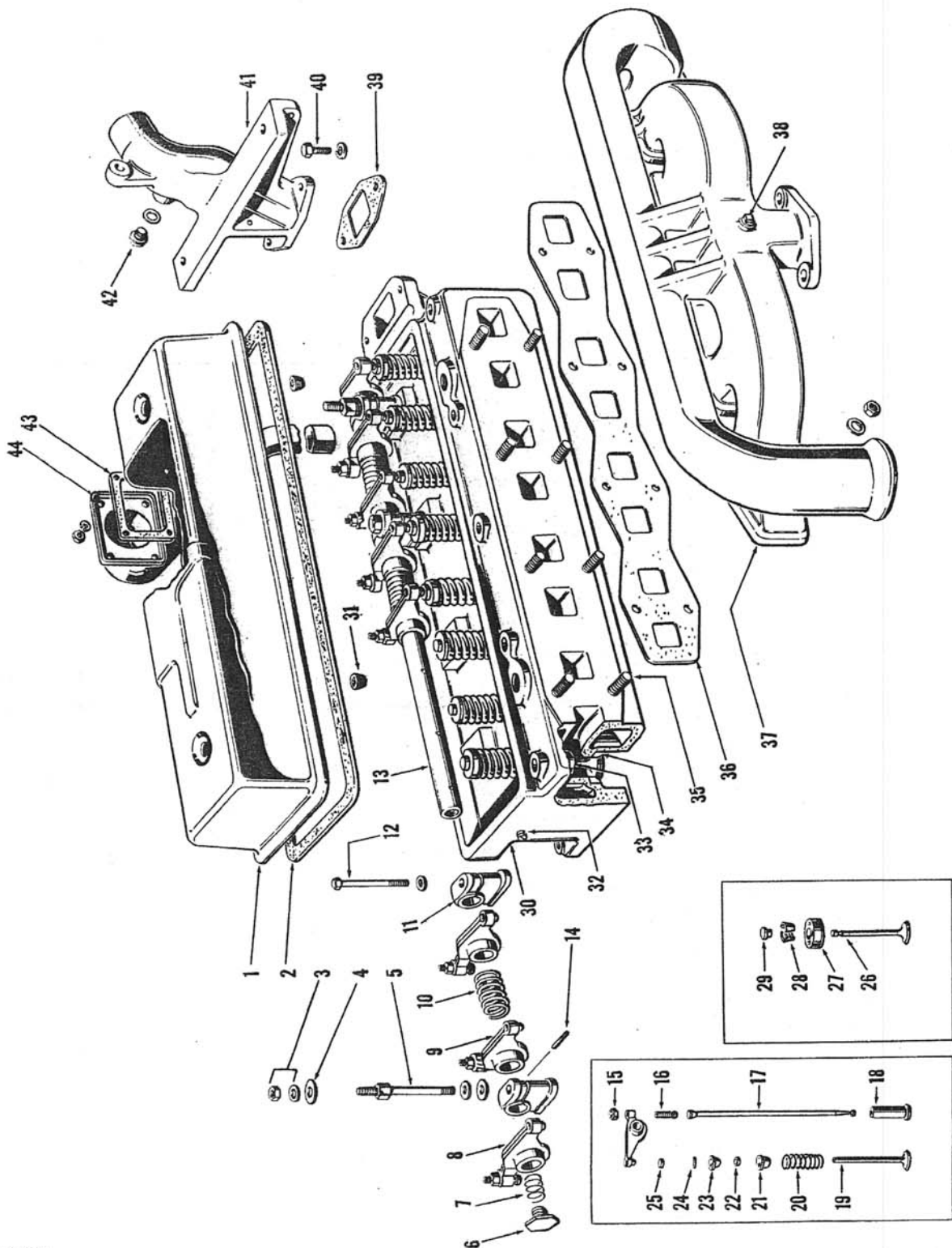


FIG. 17

TRACTOR PARTS LIST

REF. NO.	PART NO.	DESCRIPTION	QUAN. REQUIRED		
			TO-30	TO-20	TE-20
FIG. 17 ENGINE-CYLINDER HEAD, VALVES AND RELATED PARTS —Cont'd.					
25	Z120I-208	CAP-Valve Stem-Exhaust	4	8	8
	Z120T-140	KIT-Rotocap Valve		1	1
	Z129T-107	KIT-Rotocap Valve	1		
26	{ Z120T-146 Z129T-106	VALVE SET-Exhaust-Roto VALVE SET-Exhaust-Roto	1	1	1
27	Z120I-3000	ROTO CAP ASSEMBLY	4	4	4
28	Z120I-235	LOCK-Valve Spring Retainer	4	4	4
29	Z129I-206	CAP-Valve Stem-Exhaust	4		
30	{ Z120A-6012 Z129A-4022	HEAD ASSEMBLY-Cylinder Stripped HEAD ASSEMBLY-Cylinder Stripped composed of Head end Push Rod Tubes not serviced and items 31 thru 35	1	1	1
31	{ X-112 X-101-B	PLUG-Pipe-Cylinder Head Core Hole PLUG-Pipe-Cylinder Head Core Hole	2	2	2
32	X-120	PLUG-Pipe-Oil Gallery	1	1	1
33	Z129T-109	GUIDE SET-Valve Stem-Shown in Position	1	1	1
34	{ Z120A-205-L Z129A-205-L	INSERT-.010 O.S. Exhaust Valve Seat } INSERT-.010 O.S. Exhaust Valve Seat } Shown in Position	4	4	4
35	{ X-19004-C UB-110 X-18067	STUD-Cylinder Head Manifold WASHER-Flat } NUT-Hex } Cylinder Head Manifold Stud	8 8	8 8	8 8
36	Z120E-400	GASKET-Manifold to Cylinder Head	1	1	1
37	{ Z120E-500 Z129E-5001	MANIFOLD-Intake and Exhaust MANIFOLD ASSY.-Intake and Exhaust composed of Manifld not serviced and	1	1	1
38	X-100	PLUG-Pipe	1	1	
39	TO-8604	GASKET-Water Outlet Elbow	1	1	1
40	{ 38-101-100 38-14	SCREW-Cap } WASHER-Lock } Elbow to Cylinder Head	2	2	2
41	TO-8603	ELBOW-Water Outlet	1	1	1
42	{ TO-8605 TO-8609	PLUG-Water Outlet Elbow GASKET-Elbow Plug	1 1	1 1	1 1
43	Z129A-204	GASKET-Cover to Vent Tube	1	1	1
44	{ Z129A-3030 25-14 X-1800-C	VENT TUBE & CAP-Cover WASHER-Lock-Vent Tube NUT-Hex-Vent Tube to Cover	1 4 4	1 4 4	1 4 4
	Z120A-6011-C	SHORT CYLINDER HEAD ASSEMBLY composed of items 3 thru 25 and 30 thru 35		1	1

TRACTOR PARTS LIST

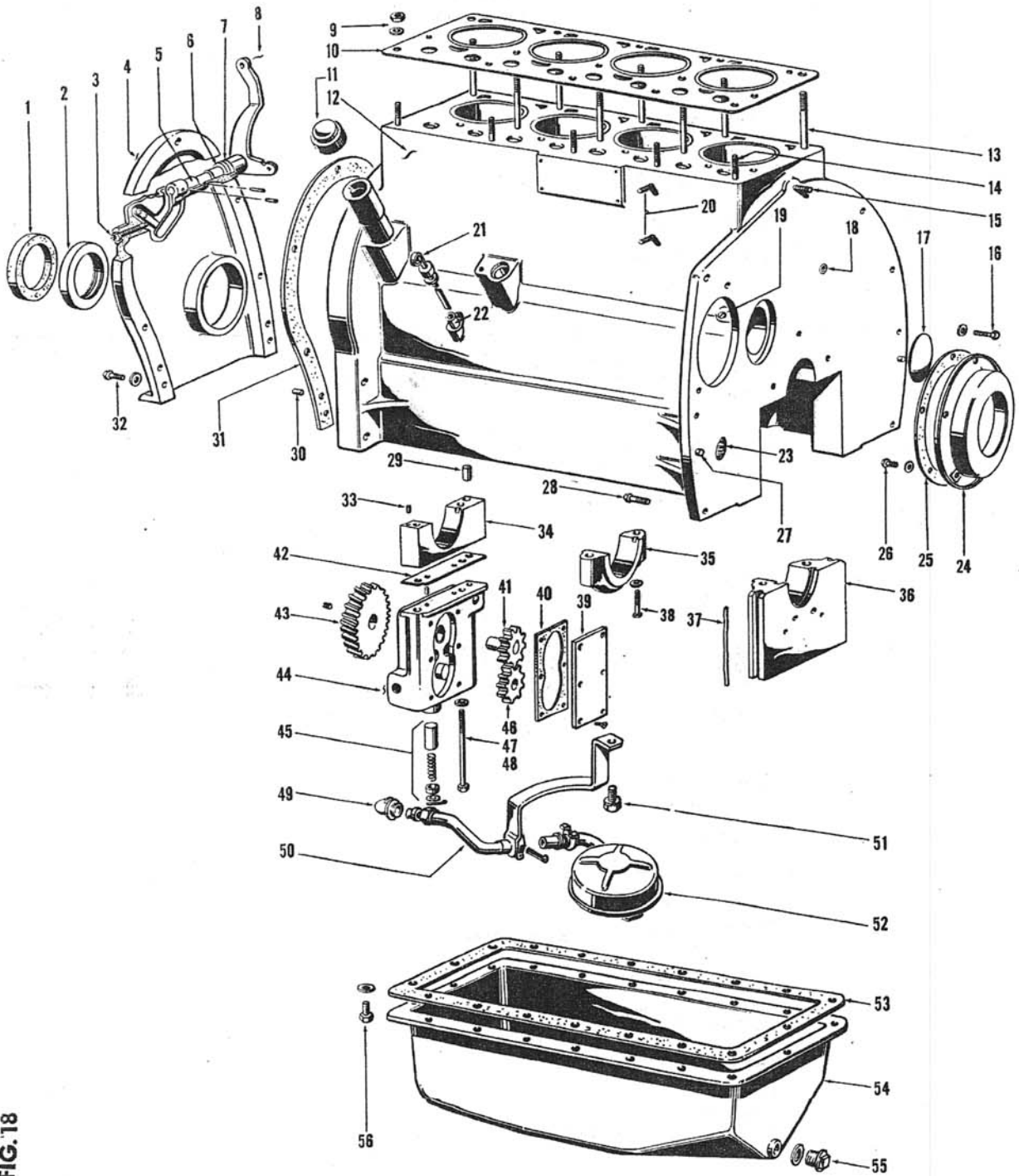


FIG. 18

TRACTOR PARTS LIST

REF. NO.	PART NO.	DESCRIPTION	QUAN. REQUIRED		
			TO-30	TO-20	TE-20
FIG. 18 ENGINE-CYLINDER BLOCK, OIL PUMP AND RELATED PARTS					
1	D600K-232	SEAL-Dust-Fan Drive Pulley-Front	1	1	1
2	A600L-202	SEAL-Oil-Crankshaft Bearing-Front	1	1	1
3	{ H260S-206 X-1800-C	SCREW-Governor-Bumper Spring Adjusting	1	1	1
4	Z120B-5002	NUT-Governor Bumper Screw	1	1	1
		COVER ASSEMBLY-Gear			
		composed of cover not serviced and			
	N62S-202	SPRING-Governor Bumper	1	1	1
	X-1418	RIVET-Spring to Gear Cover } Shown in Position	2	2	2
	X-17045	PIN-Stop-Needle Bearing	1	1	1
5	Z120S-202	BEARING-Needle-Governor Lever Shaft	2	2	2
6	D600S-207	SEAL-Oil-Governor Lever Shaft	1	1	1
7	Z120S-207	SEAL-Dust-Governor Lever Shaft	1	1	1
8	Z120S-3111	GOVERNOR CONTROL LEVER AND SHAFT ASSY:	1	1	1
		composed of			
	Z120S-3030	LEVER-Governor			
	Z120S-205	SHAFT-Governor Lever } Not Serviced Separately			
	Z120S-203	ARM-Governor Rocker		1	1
	X-1791-A	PIN-Governor Lever to Shaft	1	1	1
	X-17040	Pin-Governor Rocker Arm to Shaft			
9	{ 3X-X-18096 3X-X-1408	NUT-Hex } Cylinder Head to Stud	13	13	13
10	Z129A-405	WASHER-Flat }	1	1	1
	Y69K-220	GASKET-Cylinder Head to Block	1	1	1
11	{ Z120L-3000 Z120A-6002	CAP-Oil Filler	1	1	1
12	Z129A-6002	FILLER ASSEMBLY-Oil	1	1	1
		CYLINDER BLOCK ASSEMBLY	1		
		CYLINDER BLOCK ASSEMBLY	1		
		composed of Block and Crankshaft Bearing Caps			
		not serviced and items 13 thru 15, 17 thru 20,			
		22, 23, 29, 33 thru 36, 38 & 47			
13	X-4049	STUD-Cylinder Block to Head-Long	8	8	8
14	X-4160	STUD-Cylinder Block to Head-Short	5	5	5
15	X-19926	STUD-Cylinder Block to Trans. Case	1	1	1
16	{ X-3056 3X-X-13013	SCREW-Cap } Retainer to Block	3	3	3
17	X-2208	WASHER-Flat }	1	1	1
18	X-137-A	PLUG-Hubbard-Camshaft-Rear	2	2	2
19	X-120	PLUG-Socket Head-Both Ends	1	1	1
20	X-1901-A	PLUG-Pipe	2	2	2
21	{ Z120L-2050 K404L-210	STUD-Coil Bracket to Block	1	1	1
22	10EL-227	INDICATOR ASSEMBLY-Oil Level	1	1	1
23	S-10099	WASHER-Felt-Collar	1	1	1
24	G157B-2032	SUPPORT-Oil Level Indicator	1	1	1
25	VT-3250	PLUG-Button-Timing Hole	1	1	1
26	{ X-3056 X-14109	RETAINER ASSEMBLY-Oil Seal-Rear	1	1	1
27	TO-6397	GASKET-Oil Seal Retainer	2	2	2
28	{ 44-101-125 44-101-100	SCREW-Cap } Rear Cap to Retainer	2	2	2
29	TTC-215	GASKET-Copper }	2	2	2
30	6EK-215	DOWEL-Cylinder Block to Trans. Case	6	6	6
31	Z120B-402	SCREW-Cap } Cylinder Block to Trans. Case	1	1	1
	{ X-3253 X-3295 X-203	SCREW-Cap }	1	1	1
		DOWEL-Front Bearing Cap to Block	1	1	1
		DOWEL-Gear Cover to Block	2	2	2
		GASKET-Gear Cover to Block	1	1	1
		SCREW-Cap } Gear Cover to Block	6	6	6
		SCREW-Cap }	7	7	7
		WASHER-Lock }			

TRACTOR PARTS LIST

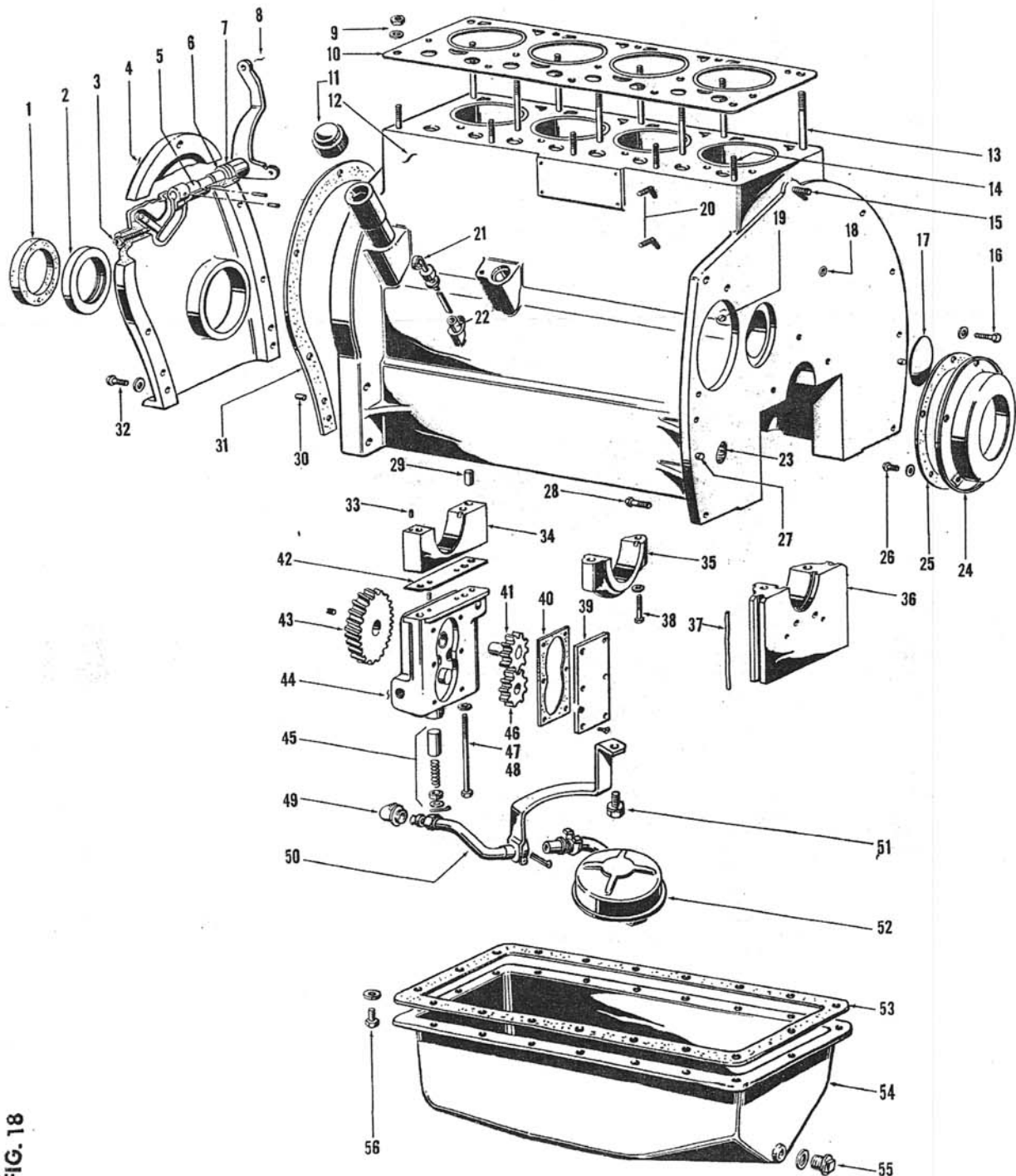


FIG. 18

TRACTOR PARTS LIST

REF. NO.	PART NO.	DESCRIPTION	QUAN. REQUIRED		
			TO-30	TO-20	TE-20
FIG. 18 ENGINE-CYLINDER BLOCK, OIL PUMP AND RELATED PARTS—Cont'd.					
		PIN-Front Bearing Cap to Block	1	1	1
33	X-1756	CAP-Crankshaft Bearing-Front-Not Serviced			
34	Z120B-300	CAP-Crankshaft Bearing-Center-Not Serviced			
35	Z120B-301	CAP-Crankshaft Bearing-Rear-Not Serviced			
36	Z120B-400	PACKING-Rear Bearing Cap	2	2	2
37	R500B-234	SCREW-Cap } Center and Rear Caps to Block	4	4	4
38	{ X-3555 3X-B2B-110	WASHER-Plain }	1	1	1
	Z120L-200	COVER-Oil Pump Body	6	6	6
39	{ X-3088	SCREW-Flat Hd.-Oil Pump Cover to Body	1	1	1
40	Z120L-204	GASKET-Oil Pump Cover to Body	1	1	1
41	Z120L-2010	GEAR AND SHAFT ASSY.-Oil Pump Driven	As Req.	As Req.	As Req.
	{ Z120L-206	SHIM-Oil Pump Body to Front Bearing Cap	1	1	1
42	{ X-17019	PIN-Oil Pump Body to Front Bearing Cap	1	1	1
	{ Z120H-203	GEAR-Oil Pump Drive	1	1	1
43	{ X-2979	SCREW	1	1	1
44	Z120L-4002	BODY ASSEMBLY-Oil Pump composed of Body not serviced and			
	X-2211	PLUG-Hubbard	3	3	3
	H260G-200	BUSHING-Oil Pump Body } Shown in Position	2	2	2
	VT-3218	STUD-Oil Pump Idler Gear	1	1	1
	VT-3298	VALVE-Relief-Oil Pump Pressure	1	1	1
	F400L-223	SPRING-Oil Pump Pressure Valve	1	1	1
45	{ VT-3221	RETAINER-Oil Pump Pressure Valve Spring	1	1	1
	{ X-619	PIN-Cotter	As Req.	As Req.	As Req.
	{ W5L-213	WASHER-Oil Pump Pressure Valve Spring	1	1	1
46	VT-3255	GEAR-Oil Pump Idler	2	2	2
47	{ X-3976	SCREW-Cap } Oil Pump Body to Block	1	1	1
	{ 3X-B2B-110	WASHER-Plain }	1	1	1
48	X-5195	CONNECTION-Oil Inlet Tube to Support	1	1	1
49	X-12423	ELBOW-Oil Inlet Tube to Pump	1		
50	Z129L-4000	TUBE AND SUPPORT ASSEMBLY-Oil Strainer composed of Tube not serviced and items 50 thru 52	1		
	X-5193	NUT	1		
	X-5194	SLEEVE	1		
	X-619	PIN-Cotter	1		
51	X-3899	SCREW AND WASHER ASSEMBLY	1		
52	Z129L-3010	OIL STRAINER ASSEMBLY	1	1	1
53	Z120B-401	GASKET-Oil Pan to Cylinder Block	1		
54	Z129B-5000	PAN ASSEMBLY-Oil	1		
	{ Z120B-203	PLUG-Drain-Oil Pan	1		
55	{ X-388	GASKET-Drain Plug	18		
56	{ X-3896	SCREW ASSEMBLY-Oil Pan to Cylinder Block	1	1	1
	{ TO-8115	DRAIN-Cock-Water-Not Illustrated	1	1	1
	Z120U-103	GASKET-SET-Engine	1		
	Z129U-102	GASKET SET-Engine		1	1
	Z120A-6005-S	SHORT BLOCK ASSEMBLY composed of Cylinder and Crankcase Assy. w/Pistons Rings, Rods, Gears, Cam and Crank			

TRACTOR PARTS LIST

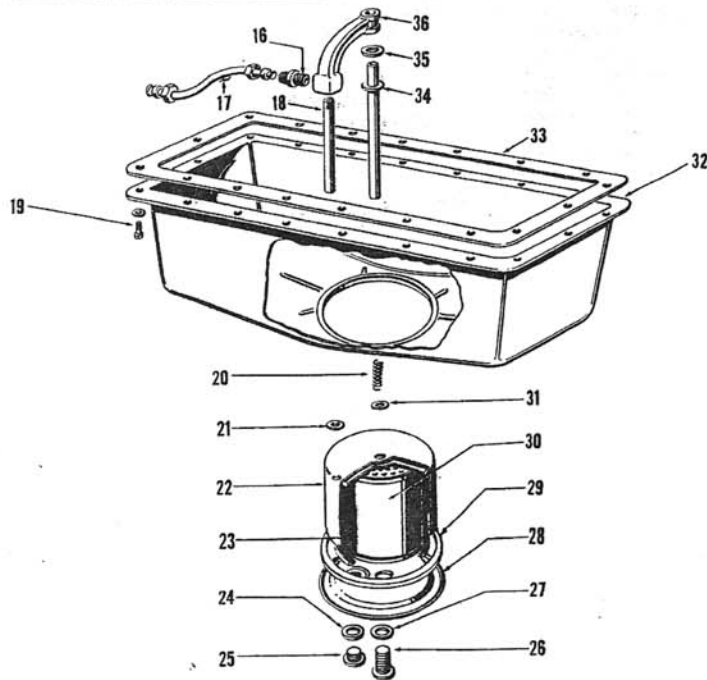
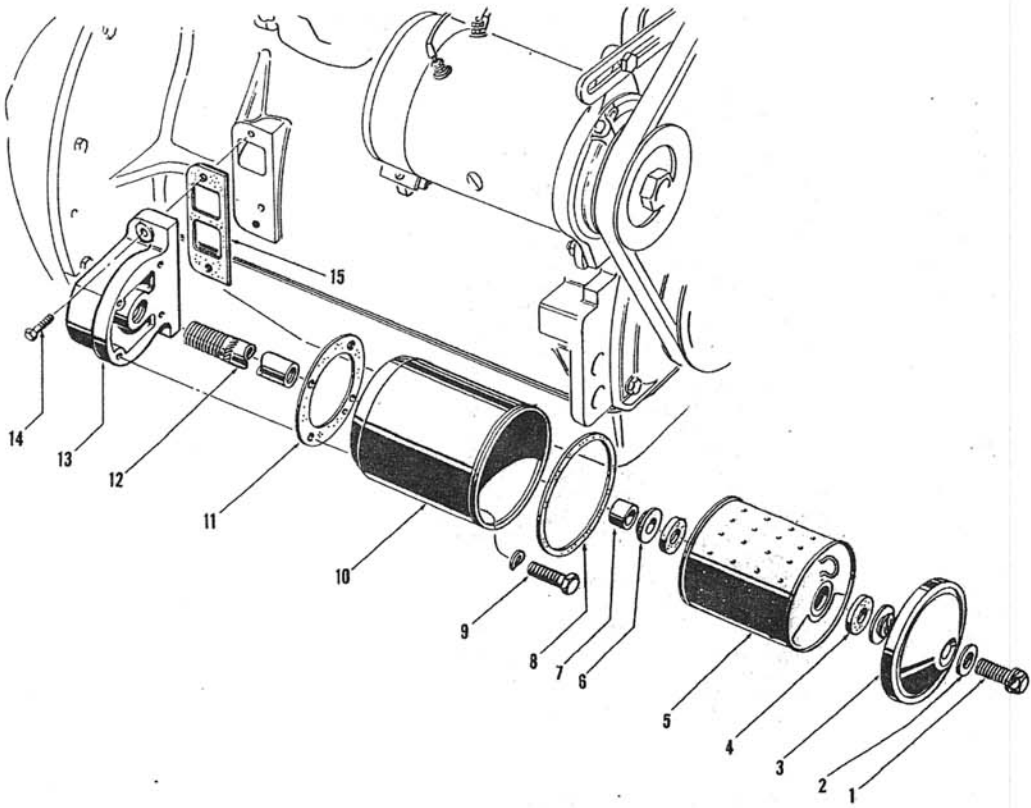


FIG. 19

TRACTOR PARTS LIST

REF. NO.	PART NO.	DESCRIPTION	QUAN. REQUIRED		
			TO-30	TO-20	TE-20
FIG.19 OIL FILTER AND RELATED PARTS					
	TO-18660	OIL FILTER COVER AND BASE ASSY.-With Element	1		
		composed of items 1 thru 15			
1	TO-18691	SCREW-Cap Cover	1		
2	TO-18675	GASKET-Cover Cap Screw	1		
3	TO-18687	COVER ASSEMBLY-Oil Filter	1		
4	TO-18689	GASKET-Oil Filter Element-Not Serviced Separately			
5	TO-18662-A	ELEMENT-Oil Filter	1		
		composed of Element not serviced separately and items 4 and 8			
6	TO-18648	WASHER-Center Tube	1		
7	TO-18677	SPACER-Center Tube	1		
8	TO-18688	GASKET-Filter Cover to Oil Filter-Not Serviced Separately			
9	{ 31-101-75 S-34906	SCREW-Cap } Body to Base	4		
10	TO-18621	WASHER-Lock	1		
11	TO-18695	BODY-Oil Filter	1		
12	TO-18647	GASKET-Oil Filter to Filter Base	1		
13	TO-18665	TUBE-Oil Filter	1		
14	{ 38-101-100 38-14	BASE-Oil Filter	2		
		SCREW-Cap } Base to Cylinder Block			
15	TO-18664	WASHER-Lock	1		
16	X-5195	GASKET-Oil Filter Base to Cylinder Block	1	1	
17	Z120L-2030	CONNECTOR-Oil Inlet Tube to Support	1	1	1
		TUBE ASSEMBLY-Oil Inlet			
		composed of Tube not serviced and			
	X-5193	NUT-Oil Inlet Tube		2	2
	X-5194	SLEEVE-Oil Inlet Tube Nut		2	2
18	{ G-157L-204 Z120L-213	TUBE-Suction-Oil Filter-Prior to Engine # 48,067		1	1
19	X-3896	TUBE-Suction-Oil Filter-After # 48,067 for TE-20		18	18
20	Z120I-205	SCREW ASSEMBLY-Oil Pan to Cylinder Block		1	1
21	X-14232	SPRING-Oil Filter Cover		1	1
22	G157L-304	WASHER-Felt-Oil Filter Suction Tube		1	1
23	Z120L-3040	COVER-Oil Strainer		1	1
24	{ W4B-108 X-388	SCREEN ASSEMBLY-Oil Strainer		1	1
25	{ Z120B-200 Z120B-203	GASKET-Drain Plug-Prior to Engine # 48,067		1	1
26	{ Z120B-201 Z120L-208	GASKET-Drain Plug-After # 48,067 for TE-20		1	1
27	{ X-377 X-320	PLUG-Drain-Oil Pan Cover-Prior to Engine # 48,067		1	1
28	G157B-3060	PLUG-Drain-Oil Pan Cover-After # 48,067 for TE-20		1	1
29	Z120B-3060	NUT-Hand Hole Cover-Prior to Engine # 48,067		1	1
30	G157B-307	SCREW-Hand Hole Cover-After # 48,067 For TE-20		1	1
31	TO-18662-2	GASKET-Hand Hole Cover Nut-Prior to Engine # 48,067		1	1
32	X-14231	GASKET-Hand Hole Cover Screw-After # 48,067-For TE-20		1	1
33	Z120B-5010	COVER ASSEMBLY-Hand Hole Prior to Engine # 48067		1	1
34	{ Z120B-600 Z120B-401	COVER ASSEMBLY-Hand Hole-After # 48,067 for TE-20		1	1
35	G157L-2000	GASKET-Hand Hole Cover to Oil Pan		1	1
36	Z120L-2070	ELEMENT-Oil Filter		1	1
	X-14260	WASHER-Oil Filter Tube		1	1
	G157L-205	PAN ASSEMBLY-Oil		1	1
		PAN ASSEMBLY-Oil-Cast Iron		1	1
		GASKET-Oil Pan to Cylinder Block		1	1
		TUBE ASSEMBLY-Oil Filter-Prior to Engine # 48067		1	1
		TUBE ASSEMBLY-Oil Filter-After # 48,067 for TE-20		1	1
		WASHER-Oil Filter Tube to Support		1	1
		SUPPORT-Oil Pump Inlet Tube		1	1

TRACTOR PARTS LIST

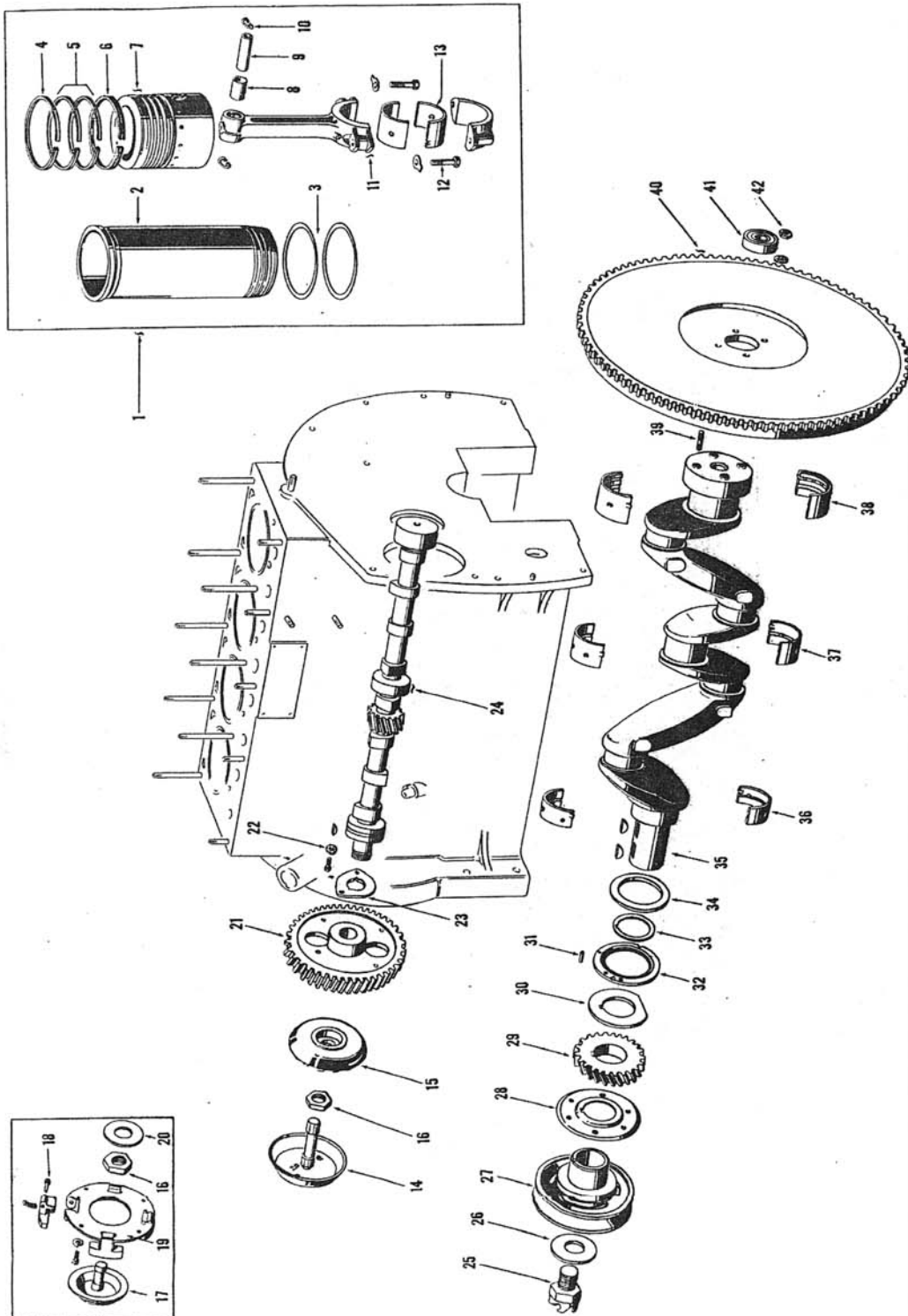


FIG. 20

TRACTOR PARTS LIST

REF. NO.	PART NO.	DESCRIPTION	QUAN. REQUIRED		
			TO-30	TO-20	TE-20
FIG. 20 ENGINE-PISTON, CONNECTING RODS, CAM AND CRANK SHAFTS					
1	{ Z120T-101 Z129T-102	SLEEVE AND PISTON KIT-Set of Four SLEEVE AND PISTON KIT-Set of Four composed of items 2 thru 10	1	1	1
2	{ Z120A-300 Z129A-300	SLEEVE-Cylinder-Not Serviced Separately SLEEVE-Cylinder-Not Serviced Separately			
3	Z120A-201	PACKING-Cylinder Sleeve	2	2	2
	Z120T-103	PISTON RING KIT-Complete composed of items 4 thru 6		1	1
4	{ Z120A-302 Z120A-303 F600A-241	RING-Piston-First Groove		1	1
5		RING-Piston-Second and Third Groove } Not Serviced		2	2
6		RING-Piston-Fourth Groove } Separately		1	1
	Z129T-113	PISTON RING-KIT-Complete composed of items 4 thru 6	1		
4	{ Z129A-301 F600A-343 Z129A-202	RING-Piston-First Groove	1		
5		RING-Piston-Second and Third Groove } Not Serviced	2		
6		RING-Piston-Fourth Groove } Separately	1		
7	{ Z120A-401 Z129A-400	PISTON-Not Serviced Separately-Order Z120T-101 PISTON-Not Serviced Separately-Order Z129T-102			
8	F400G-211	BUSHING-Piston Pin	1	1	1
			1	1	1
9	{ Z120A-204 Z120A-204-K	PIN-Piston PIN-Piston-.003 U.S.	1 1	1 1	1 1
10	6SA-101	RING-Piston Pin Retaining	2	2	2
	Z120T-147	RING SET-Oversize .010		1	1
11	Z120T-122	ROD AND CAP KIT-Connecting composed of Rod and Cap not serviced and item 12	4	4	4
			2	2	2
12	{ Z120D-200 Z120D-201	LOCK-Connecting Rod Bolt BOLT-Connecting Rod and Cap	2 2	2 2	2 2
	{ Z129T-153 Z129T-153 .022 Z129T-153 .010 Z129T-153 .020	BEARING KIT-Conn. Rod-Std. Set of Eight Halves BEARING KIT-Conn. Rod-.002 U.S. BEARING KIT-Conn. Rod-.010 U.S. BEARING KIT-Conn. Rod-.020 U.S.	1 4 4 4	1 4 4 4	1 4 4 4
	Z120S-3080	GOVERNOR ASSY.-Complete-Complete Replacement on TO-20 & TE composed of items 14 and 15	1	1	1
14	Z120S-3070	SHAFT AND UPPER RACE ASSEMBLY-Gov.	1	1	
15	Z120S-2220	DRIVER ASSEMBLY	1	1	
16	X-18255	NUT-Lock-Camshaft Timing Gear to Camshaft	1	1	1
17	VTA-803	CUP AND SHAFT ASSEMBLY-Governor		1	1
	{ Y400S-2340 F124S-214 X-608	WEIGHT-Governor PIN-Clevis } Governor Weight to Plate PIN-Cotter }		4 4	4 4
18				1	1
19	{ Y400S-311 X-3935 19-14	PLATE-Governor Weight SCREW-Round Head } Weight Plate to Camshaft Gear WASHER-Lock }		4	4
20	12CH-208	WASHER-Camshaft Timing Gear		1	1

Continued on Page 45

TRACTOR PARTS LIST

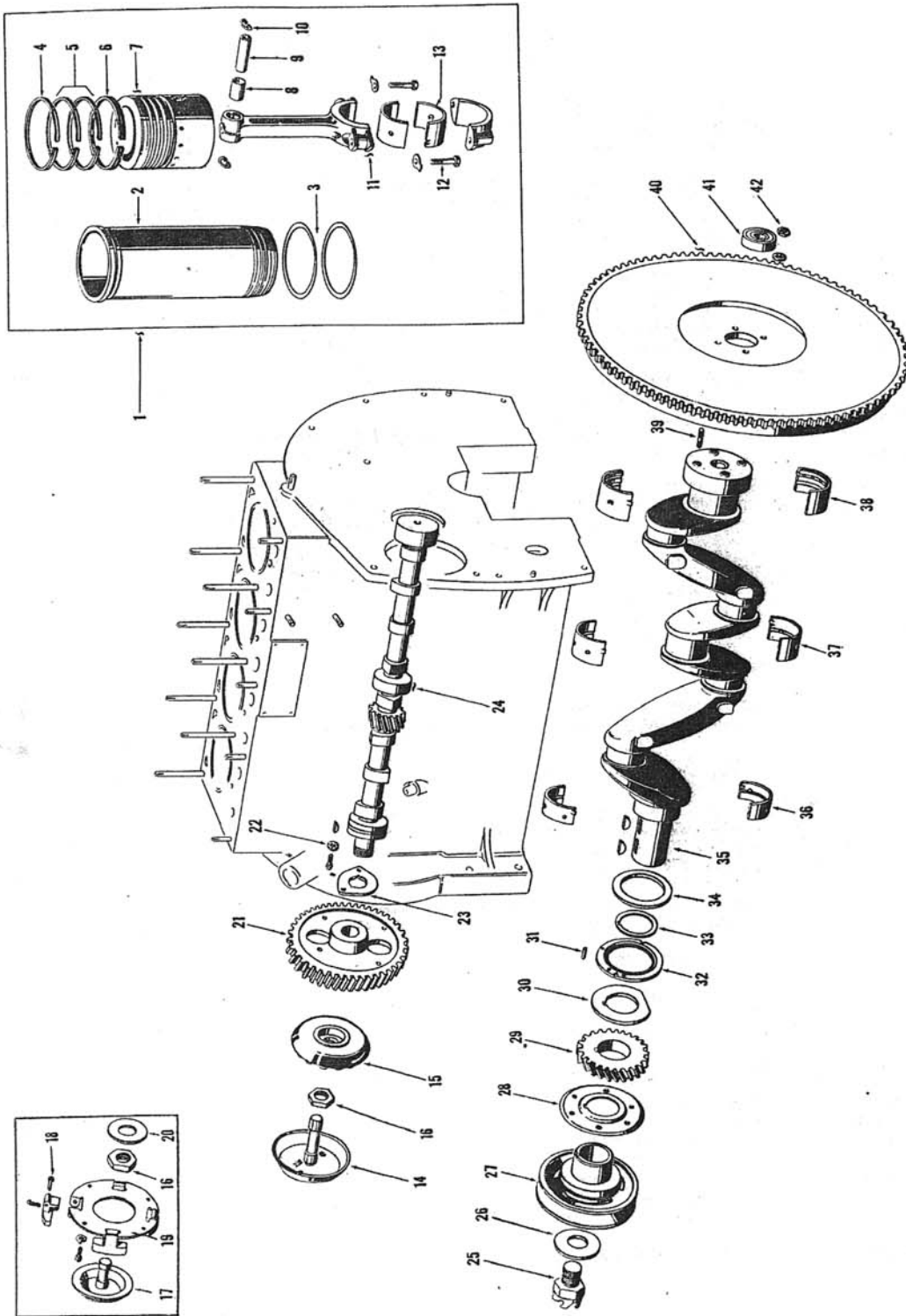


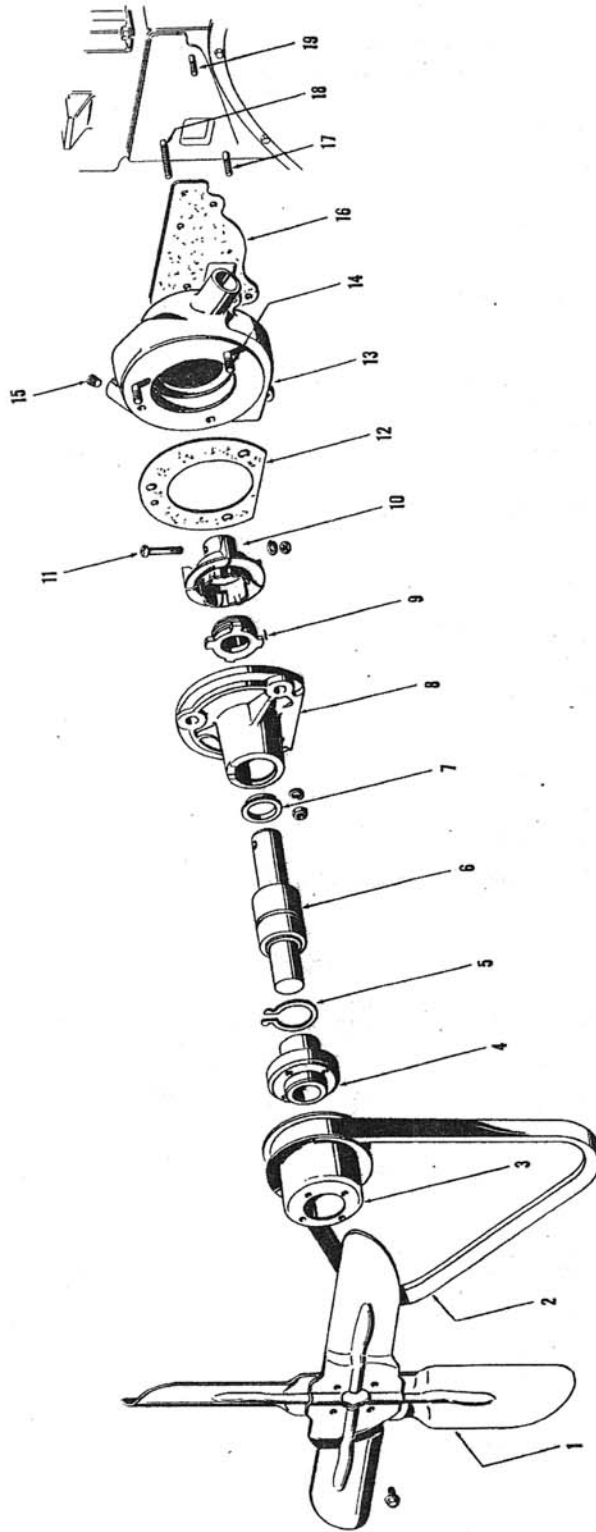
FIG.20

TRACTOR PARTS LIST

REF. NO.	PART NO.	DESCRIPTION	QUAN. REQUIRED		
			TO-30	TO-20	TE-20
FIG. 20 ENGINE-PISTON, CONNECTING RODS, CAM AND CRANK SHAFTS —Cont'd.					
21	{ Z120H-301 Z120H-301-F Z120H-301-FF Z120H-301-G	GEAR-Standard } GEAR-.001 O.S. } GEAR-.001 U.S. } GEAR-.002 O.S. } Camshaft Timing	1	1	1
22	{ X-3203 X-210-A	SCREW-Cap } WASHER-Lock } Thrust Plate to Block	2	2	2
23	Y400I-203	PLATE-Thrust-Camshaft	1	1	1
24	{ Z120I-402 Z129I-400 X-506	CAMSHAFT	1	1	1
		CAMSHAFT	1	1	1
		KEY-Woodruff-Timing Gear to Camshaft	1	1	1
25	Z120-O-200	JAW-Crankshaft Starting	1	1	1
26	X-14240	WASHER-Plain-Starting Jaw to Crankshaft	1	1	1
27	Z120K-313	PULLEY-Crankshaft Fan Drive	1	1	1
28	A600C-204	THROWER-Oil-Crankshaft	1	1	1
29	{ Z120H-300 Z120H-300-F Z120H-300-FF Z120H-300-G	GEAR-Standard } GEAR-.001 O.S. } GEAR-.001 U.S. } GEAR-.002 O.S. } Crankshaft Timing	1	1	1
		PLATE-Thrust-Crankshaft	1	1	1
		PIN-Thrust Washer to Block	3	3	3
		WASHER-Thrust-Crankshaft	1	1	1
30	Z120C-200	PLATE-Thrust-Crankshaft	1	1	1
31	6TG-101	PIN-Thrust Washer to Block	3	3	3
32	D600C-204	WASHER-Thrust-Crankshaft	1	1	1
33	{ 10EC-204 10EC-205	SHIM-.002 Thick } SHIM-.008 Thick } Crankshaft Thrust	As Req.	As Req.	As Req.
		WASHER-Thrust-Bearing to Crankshaft	1	1	1
34	Z129C-202	WASHER-Thrust-Bearing to Crankshaft	1	1	1
35	{ Z120C-500 Z129C-500 X-534	CRANKSHAFT	1	1	1
		CRANKSHAFT	2	2	2
		KEY-Woodruff-Pulley and Gear to Crankshaft	1	1	1
		Z129T-105 BEARING KIT-Crankshaft-Complete composed of Front, Center and Rear Std. Bearings	1	1	1
36	{ Z129T-118 .002 Z129T-118 .010 Z129T-118 .020	BEARING SET-.002 U.S. } BEARING SET-.010 U.S. } Front Ref. 34 Must Be Used BEARING SET-.020 U.S. } -With Ref. 36 on TO-20 And TE-20	As Req.	As Req.	As Req.
		BEARING SET-.002 U.S. } BEARING SET-.010 U.S. } Center	As Req.	As Req.	As Req.
		BEARING SET-.002 U.S. } BEARING SET-.010 U.S. } Rear	As Req.	As Req.	As Req.
37	{ Z120T-150 .002 Z120T-150 .010 Z120T-150 .020	BEARING SET-.002 U.S. } BEARING SET-.010 U.S. } BEARING SET-.020 U.S. }	As Req.	As Req.	As Req.
		BEARING SET-.002 U.S. } BEARING SET-.010 U.S. } BEARING SET-.020 U.S. }	As Req.	As Req.	As Req.
		BEARING SET-.002 U.S. } BEARING SET-.010 U.S. } BEARING SET-.020 U.S. }	As Req.	As Req.	As Req.
38	{ Z120T-152 .002 Z120T-152 .010 Z120T-152 .020	BEARING SET-.002 U.S. } BEARING SET-.010 U.S. } BEARING SET-.020 U.S. }	As Req.	As Req.	As Req.
39	X-4053	STUD-Flywheel to Crankshaft	4	4	4
40	{ Z120C-4000 Z120C-4020	FLYWHEEL ASSEMBLY	1	1	1
		FLYWHEEL ASSEMBLY composed of Flywheel not serviced and	1	1	1
	Z120C-300	GEAR-Starter Ring	1	1	1
41	S-9854	BEARING-Pilot-Clutch	1	1	1
42	{ X-1899 X-297-B	NUT-Hex } WASHER-Lock } Flywheel to Crankshaft Stud	4	4	4

TRACTOR PARTS LIST

FIG. 21



TRACTOR PARTS LIST

REF. NO.	PART NO.	DESCRIPTION	QUAN. REQUIRED				
			TO-30	TO-20	9N-2N	TE-20	TEA-20
FIG. 21 WATER PUMP ASSEMBLY.							
1	{ TO-8600-1 X-3897	FAN ASSEMBLY SCREW AND LOCKWASHER ASSEMBLY-Fan to Pulley Hub	1 4	1 4		1 4	
2	TO-8620	BELT-Fan	1	1		1	
3	Z120K-310	PULLEY-Fan	1	1		1	
	Z120K-5001	WATER PUMP ASSEMBLY composed of items 4 thru 16	1	1		1	**
	Z120K-3053	WORKS ASSEMBLY-Water Pump composed of items 4 thru 11	1	1		1	
4	Z120K-211	HUB-Water Pump Fan	1	1		1	
5	VT-3327	RING-Snap-Bearing Drive Shaft	1	1		1	
6	G157K-2060	SHAFT AND BEARING ASSEMBLY-Drive	1	1		1	
7	VT-3326	SLINGER-Drive Shaft	1	1		1	
8	Z120K-3050	SUPPORT ASSEMBLY-Drive Shaft	1	1		1	
9	VTA-804	SEAL ASSEMBLY-Water Pump	1	1		1	
10	{ Z120K-3060 Z120K-314	IMPELLER ASSEMBLY-Water Pump IMPELLER ASSEMBLY-Water Pump-Optional with Z120K-3060	1 1	1 1		1 1	
11	{ X-3960 2X-X-260 X-18272	SCREW-Fillister Head } WASHER-Lock } Impeller to Shaft NUT-Hex }	1	1		1	
12	Z120K-205	GASKET-Support to Body	1	1		1	
13	Z120K-5002	BODY ASSEMBLY-Water Pump composed of body not serviced and item 14	1	1		1	
14	{ X-19004-C X-203 X-18080	STUD } WASHER-Lock } Body to Support NUT-Hex }	2	2		2	
15	X-120	PLUG-Pipe-Water Pump Body	1	1		1	
16	Z120K-304	GASKET-Water Pump Body to Block	1	1		1	
17	X-19003	STUD-Water Pump Support and Body to Block	1	1		1	
18	X-4046	STUD-Water Pump Body to Block	1	1		1	
19	X-4217	STUD-Water Pump Body to Block	1	1		1	
** See Water Pump-TE-A-Engine Section Page 107							

TRACTOR PARTS LIST

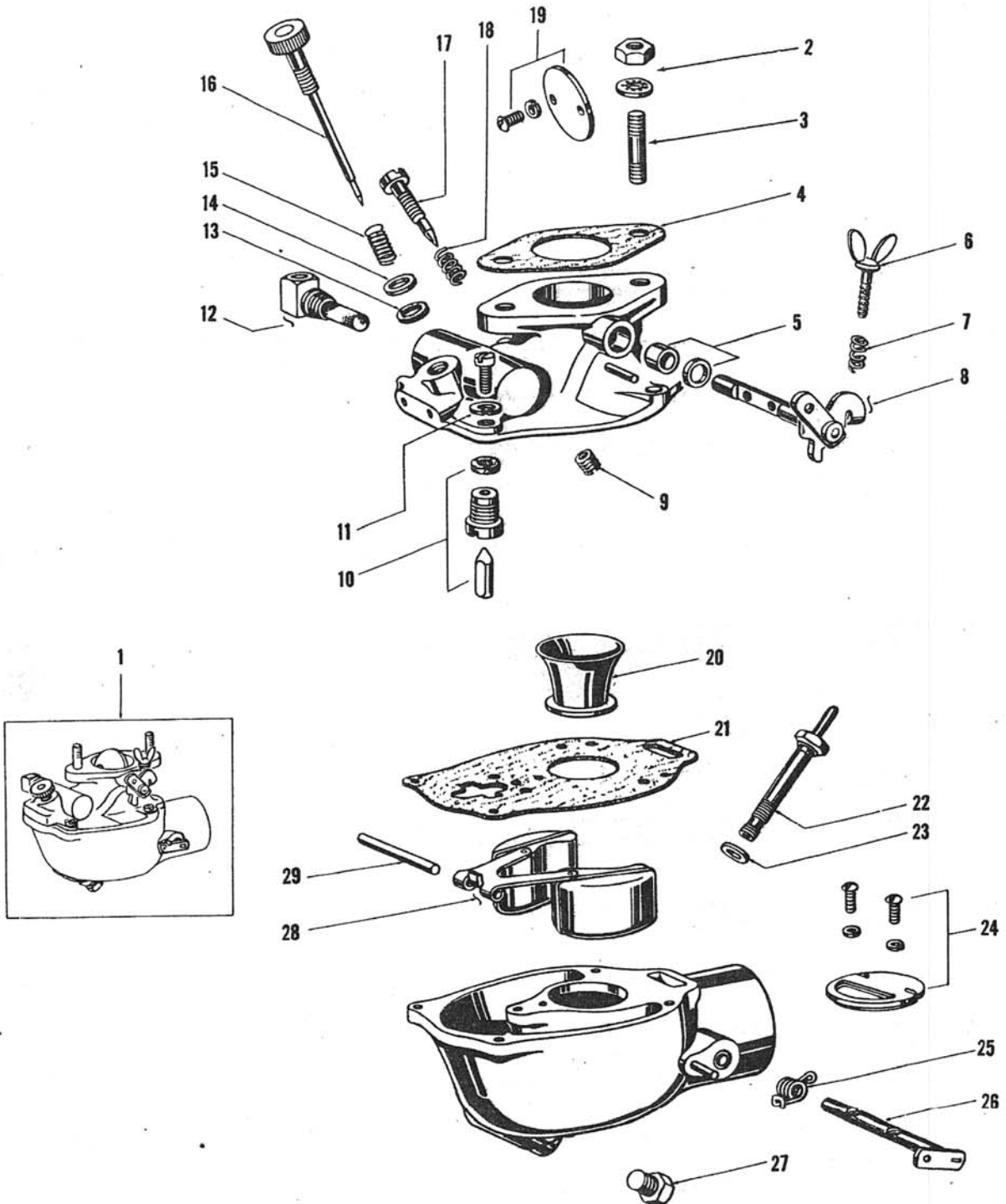


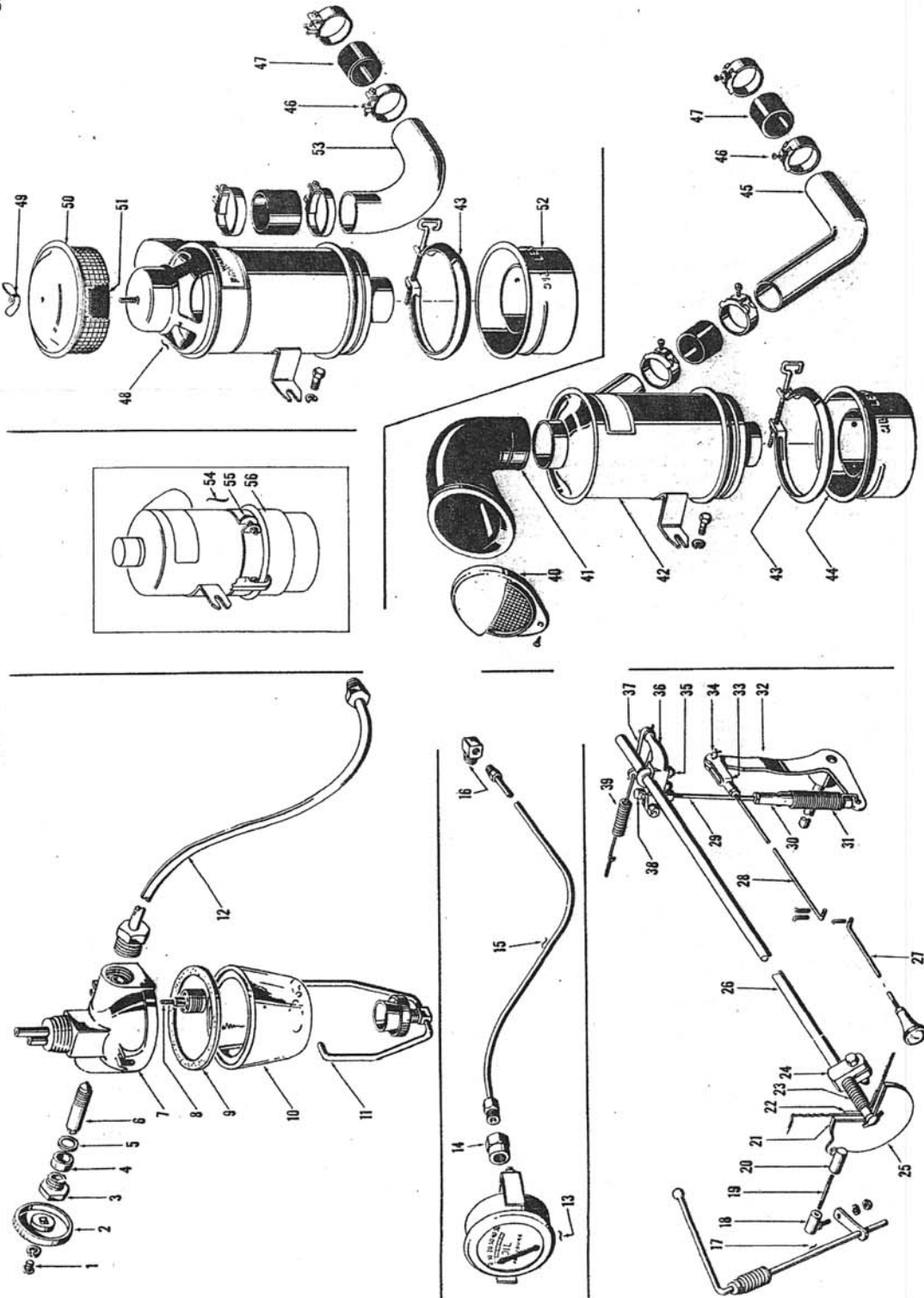
FIG. 22

TRACTOR PARTS LIST

REF. NO.	PART NO.	DESCRIPTION	QUAN. REQUIRED				
			TO-30	TO-20	9N-2N	TE-20	TEA-20
FIG. 22 CARBURETOR ASSEMBLY							
1	{ TO-9510-A TO-9510-B1	CARBURETOR ASSEMBLY CARBURETOR ASSEMBLY composed of items 4 thru 29	1	1		1	**
2	{ S-33783 S-34906 S-88367	NUT-Hex WASHER-Lock STUD-Threaded } Carburetor to Manifold	2	2		2	
4	TO-9447	GASKET-Carburetor to Manifold	1	1		1	
5	{ TO-9591 TO-9622 TO-D-9622	RETAINER-Shaft Packing } PACKING-Shaft Retainer } Throttle Body PACKING-Shaft Retainer }	1	1	1	1	
6	TO-9610-A	SCREW-Throttle Adjusting-Service w/TO-9589-A	1	1	1	1	
7	TO-9589-A	SPRING-Throttle Adjusting Screw-Service w/TO-9610-A	1	1	1	1	
8	TO-9581	SHAFT AND LEVER ASSEMBLY-Throttle	1	1		1	
9	{ TO-9596-A TO-D9596	JET-Idle JET-Idle	1	1	1	1	
10	TO-9564	VALVE ASSEMBLY-Matched Float	1	1	1	1	
11	S-43368	SCREW & LOCKWASHER-Upper to Lower Body	4	4	4	4	
12	TO-9553	ELBOW AND STRAINER ASSEMBLY	1	1	1	1	
13	TO-9563	GASKET-Main Adjusting Needle	1	1	1	1	
14	S-356211	WASHER-Main Adjusting Needle	1	1	1	1	
15	TO-9540	SPRING-Main Adjusting Needle	1	1	1	1	
16	{ TO-9565 TO-9567	NEEDLE ASSEMBLY-Main Adjusting SEAT-Main Adjusting Needle-Not Illustrated	1	1		1	
17	{ TO-9541 TO-9578	NEEDLE-Idle Adjusting SPRING-Idle Adjusting Needle	1	1	1	1	
19	{ TO-9585 S-355000	FLY-Throttle SCREW & LOCKWASHER-Throttle Fly	1 2	1 2	1 2	1 2	
20	{ TO-9586 TO-9586-A	VENTURI-Carburetor VENTURI-Carburetor	1	1		1	
21	{ TO-9519 TO-9530-A TO-9530-B	GASKET-Throttle Body to Bowl NOZZLE-Main NOZZEL-Main	1 1 1	1 1	1	1 1	
23	{ TO-9608 TO-D9608	GASKET-Main Nozzle GASKET-Main Nozzle	1	1	1	1	
24	{ TO-9549 S-355001	FLY ASSEMBLY-Choke SCREW & LOCKWASHER-Choke Fly	1 2	1 2	1 2	1 2	
25	TO-9539	SPRING-Choke Shaft Retainer	1	1	1	1	
26	{ TO-9546 TO-9547 TO-9548	SHAFT & LEVER ASSEMBLY-Choke RETAINER-Choke Shaft } PACKING-Choke Shaft } Shown in Position	1	1	1	1	
27	S-358043	PLUG-Drain-Carburetor Bowl	1	1	1	1	
28	TO-9550	FLOAT & LEVER ASSEMBLY	1	1	1	1	
29	TO-9558	FIN-Pivot-Float	1	1	1	1	
	TO-9533-A	JET-Maximum Fuel Limiting	1	1		1	
	TO-9514	PLUG-Drill	1	1		1	
	TO-18375-A	SERVICE KIT-Carburetor-Complete		1		1	
	TO-18375-B	SERVICE KIT-Carburetor-Complete		1		1	
	TO-18376	GASKET KIT-Carburetor	1			1	
	TO-D18376	GASKET KIT-Carburetor	1	1		1	
		* TE-20 Service Items-Not Illustrated					
	24-501	RATCHET-Main Adjusting Needle				1	
	TO-9694	STRAINER-Felt Drain Bowl				1	
	TO-9692	PLUG-Bowl Strainer				1	
		** See Carburetor-TE-A-20 Engine Section Page 109					

TRACTOR PARTS LIST

FIG. 23



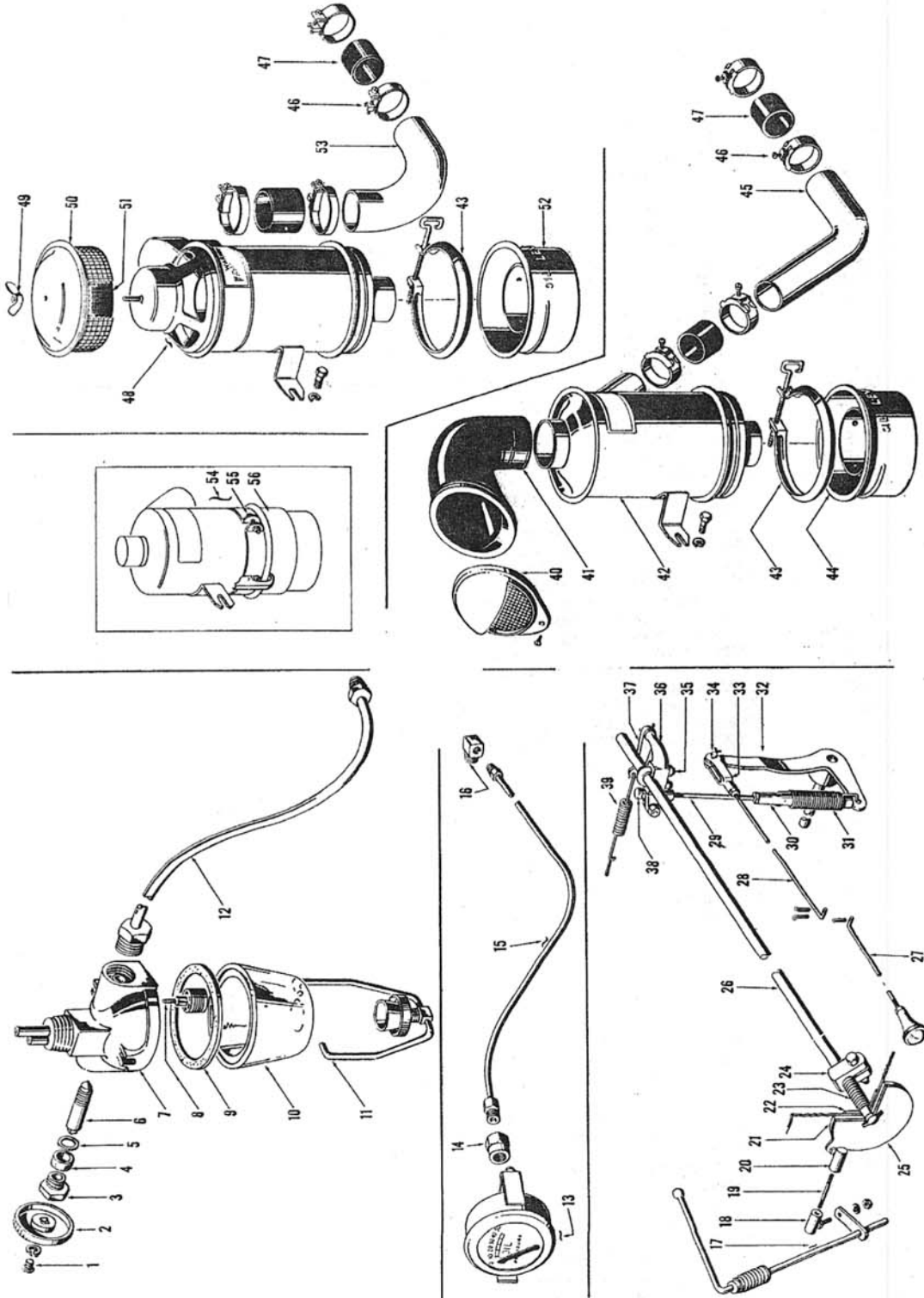
TRACTOR PARTS LIST

REF. NO.	PART NO.	DESCRIPTION	QUAN. REQUIRED				
			TO-30	TO-20	9N-2N	TE-20	TEA-20
FIG. 23 AIR CLEANER, FUEL FILTER, OIL GAUGE AND CONTROL RODS							
	TO-9155-3	FILTER ASSEMBLY-Fuel	1	1	1	*	*
		composed of items 1 thru 11					
	TO-9170	VALVE ASSEMBLY-Transfer		1			
1	{ S-34801	WASHER-Lock	1	1			
2	{ TO-9173	SCREW-Fuel Filter Valve Stem	1	1			
3	TO-9158	WHEEL-Fuel Valve Control	1	1			
4	TO-9172	NUT-Fuel Filter Packing	1	1			
	TO-9186-B	PACKING-Fuel Filter Valve Stem	1	1			
5	{ TO-9178-A	WASHER-Fuel Filter Valve Stem	1	1			
6	{ TO-9178	WASHER-Transfer Valve	1	1		1	
7	TO-9194	STEM-Fuel Filter	1	1			
8	TO-9143	BODY-Fuel Filter	1	1			
	TO-9161	STRAINER-Fuel Filter	1	1		*	*
9	{ TO-9160	GASKET-Filter Body to Bowl	1	1		*	*
	TO-9160-A	GASKET-Filter Body to Bowl	1	1		*	*
10	{ TO-9162	BOWL-Sediment-Fuel Filter	1	1		*	*
	TO-9162-A	BOWL-Sediment-Fuel Filter	1	1		*	*
11	TO-9166	BALL ASSEMBLY-Fuel Filter Bowl	1	1		*	*
12	TO-9166-A	BALL ASSEMBLY-Fuel Filter Bowl	1	1		*	*
	TO-9282-A1	TUBE ASSEMBLY-Fuel Line	1	1		1	*
		composed of Tube not serviced and					
	S-10106	NUT-Fuel Line	2	2		2	
13	TO-9273	GAGE ASSEMBLY-Oil Pressure	1	1		1	*
14	S-10103	CONNECTOR-Oil Pressure Gage Line	1	1		1	
15	{ TO-18676	TUBE ASSEMBLY-Oil Pressure Gage	1	1		1	*
	TO-18676-A	TUBE ASSEMBLY-Oil Pressure Gage	1	1		1	*
		composed of Tube not serviced and					
	S-10104	NUT-Oil Pressure Gage Line	2	2		2	
16	S-10105	ELBOW-Oil Pressure Gage Line	1	1		1	
17	TO-9808	LEVER ASSEMBLY-Throttle Control	1	1		1	1
18	{ TO-9876	JOINT-Ball Throttle Control Lever	1	1		*	*
	{ 25-14	WASHER-Lock }	1	1		*	*
	{ 25-1003	NUT-Hex Jam } Ball Joint	1	1		1	
19	TO-9813	ROD-Throttle Control Link	1	1		*	*
20	TO-9832	JOINT-Ball-Throttle Control Rod	1	1		*	*
21	TO-9830	WASHER-Cork Throttle Rod Plate	1	1		1	1
22	TO-9836	WASHER-Throttle Rod	1	1		1	1
23	TO-9806	SPRING-Throttle Rod	1	1		1	1
	{ TO-9809	CLAMP-Throttle Rod	1	1		1	1
	{ 31-001-94	BOLT-Hex Head } Throttle Rod Clamp	1	1		1	1
	{ 31-003	NUT-Hex }	1	1		1	1
25	TO-9829-A	PLATE ASSEMBLY-Throttle Control	1	1		1	
26	TO-9802-A	ROD-Throttle Control	1	1		1	*
27	TO-9700	ROD ASSEMBLY-Choke Control	1	1		1	*
		composed of Rod not serviced and					
	TO-9703	KNOB-Choke Control Rod	1	1		1	1
	TO-9704	NUT-Hex-Choke Control Rod	1	1		1	1
28	{ TO-9823	ROD-Control-Governor Lever to Carburetor	1	1		1	*
	{ 06-05-50	PIN-Cotter	2	2		2	2
29	{ TO-9815	ROD-Governor Lever Arm	1	1		1	
	{ 25-2103	NUT-Hex Machine-Lever Arm Rod	1	1		1	
30	TO-9816	PLUNGER-Throttle Control	1	1		1	*
31	TO-18196	SPRING-Throttle Control Plunger	1	1		1	*
32	ZL20S-3111	LEVER ASSEMBLY-Governor	1	1		1	*
	{ S-97011	YOKE-Carburetor Control Rod	1	1		1	*
	{ 25-003	NUT-Hex-Control Rod Yoke	1	1		1	1
34	{ 25-15-30	PIN-Clevis-Yoke to Governor Lever	1	1		1	1
	{ 06-05-50	PIN-Cotter	1	1		1	1
	{ TO-9835	U-BOLT-Governor Linkage Rocker	1	1		1	1
35	{ 31-14	WASHER-Lock } Throttle Rod to Rocker	2	2		2	2
	{ 31-003	NUT-Hex }	2	2		2	2
36	TO-9834	ROCKER-Governor Linkage	1	1		1	*
37	{ TO-9803	LINK-Governor Compensator Spring	1	1		1	1
	{ 09-05-38	PIN-Cotter-Link to Rocker	1	1		1	1
38	TO-9876	JOINT-Ball-Throttle Control	1	1		1	1
39	TO-9827	SPRING-Governor Compensator	1	1		1	1
40	{ TO-9612	COVER AND SCREEN ASSEMBLY-Air Inlet	1				
	{ TO-9613-1	SCREW-Air Inlet-Cover to Instrument Panel	1				

Continued on Page 53

TRACTOR PARTS LIST

FIG. 23



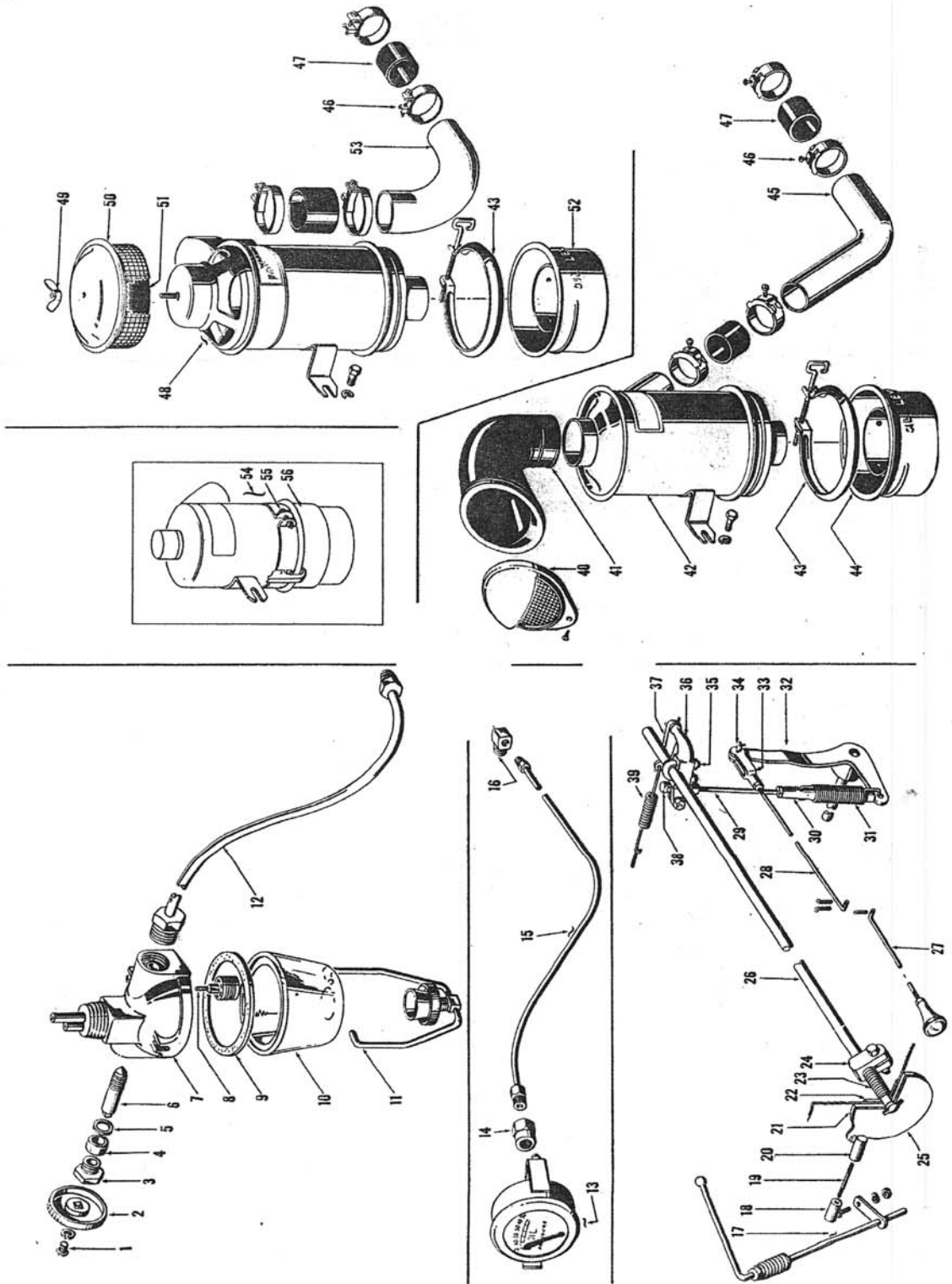
TRACTOR PARTS LIST

REF. NO.	PART NO.	DESCRIPTION	QUAN. REQUIRED				
			TO-30	TO-20	9N-2N	TE-20	TEA-20
FIG. 23 AIR CLEANER, FUEL FILTER, OIL GAUGE AND CONTROL RODS—Cont'd.							
41	TO-9614	HOSE-Air Inlet-Rubber	1				*
42	TO-9600-B1	AIR CLEANER ASSEMBLY-Optional with TO-9600-B2 composed of Body not serviced and items 43 and 44	1				
43	TO-9628	CLAMP ASSEMBLY-Oil Cup	1	1		*	*
44	TO-9658-B 44-001-75 44-14	CUP-Oil. BOLT-Hex Head } Air Cleaner to Platform WASHER-Lock }	1 2	2		2	
45	TO-18215-B	TUBE-Air Cleaner to Carburetor	1				
46	S-10085	CLAMP-Hose-Air Cleaner Tube	4	4		4	*
47	TO-9652	HOSE-Air Cleaner to Carburetor		2		2	*
48	TO-9652-A TO-9600	HOSE-Air Cleaner to Carburetor AIR CLEANER ASSEMBLY composed of Body not serviced and items 43 and 49 thru 52	2	1		1	*
49	S-355940	NUT-Wing-Air Cleaner Cover		1	1	1	
50	TO-9602	COVER ASSEMBLY-Air Cleaner		1		*	*
51	TO-9619	SCREEN-Air Cleaner Cover		1			
52	TO-9658	CUP-Oil Air Cleaner		1		*	*
53	TO-18215	TUBE-Air Cleaner to Carburetor		1		1	*
54	TO-9600-B2	AIR CLEANER ASSEMBLY-Optional with TO-9600-B1 composed of Body not serviced and items 55 and 56	1				
55	TO-9628	CLAMP ASSEMBLY	1				
56	TO-9658-A	CUP ASSEMBLY composed of Cup not serviced and	1				
	TO-9617	PRE-FILTER ASSEMBLY	1				
	TO-9618	DISC-Air Cleaner	1				
* TE- & TE-A20 Service Items-Not Illustrated							
	TS-9155	FILTER ASSEMBLY-Fuel Composed of item 7 and items 1 thru 11, Pg. 51				1	1
	2274	VALVE AND GLAND ASSEMBLY-Fuel Filter				1	1
7	TS-9143	BODY-Fuel Filter				1	1
8	1206	GAUZE-Fuel Filter				1	1
9	1205	GASKET-Fuel Filter				1	1
10	1207	BOWL -Sediment-Fuel Filter				1	1
11	2419	BAIL ASSEMBLY-Fuel Filter				1	1
12	{ 9594	FUEL LINE-Carburetor to Fuel Filter-Prior to # 200,001.					1
	{ 8752	FUEL LINE-Carburetor to Fuel Filter-After # 200,001 . .					1
13	I799	GAGE ASSEMBLY-Oil Pressure					1
15	7152	TUBE ASSEMBLY-Oil Pressure Gage					1
18	TS-9876	JOINT-Ball-Throttle Control Lever				1	1
19	{ TS-9810	ROD ASSEMBLY-Throttle Control Link (w/Joint)-Prior to				1	1
	{ 4470	# 200,001. ROD ASSEMBLY-Throttle Control Link-After # 200,001 . .					1
20	TS-9811	JOINT-Bell-Throttle Control Lever				1	1
26	{ 2112	ROD ASSEMBLY-Throttle Control-Prior # 172597					1
	{ 2231	ROD ASSEMBLY-Throttle-After # 172,597					1
27	{ 4254	ROD ASSEMBLY-Choke Control-Prior to Engine # S-77,137-E					1
	{ 4435	ROD ASSEMBLY-Choke Control-After Engine # S-77,137-E .					1
28	{ 58077	PIN-Clevis-Control Rod Yoke				1	1
	{ 58061	ROD-Control-Governor Lever to Carburetor-Prior To				1	1
	{ 102810	# 200,001 ROD-Tie-Throttle Control-After # 200,001					1

Continued on Page 55

TRACTOR PARTS LIST

FIG. 23

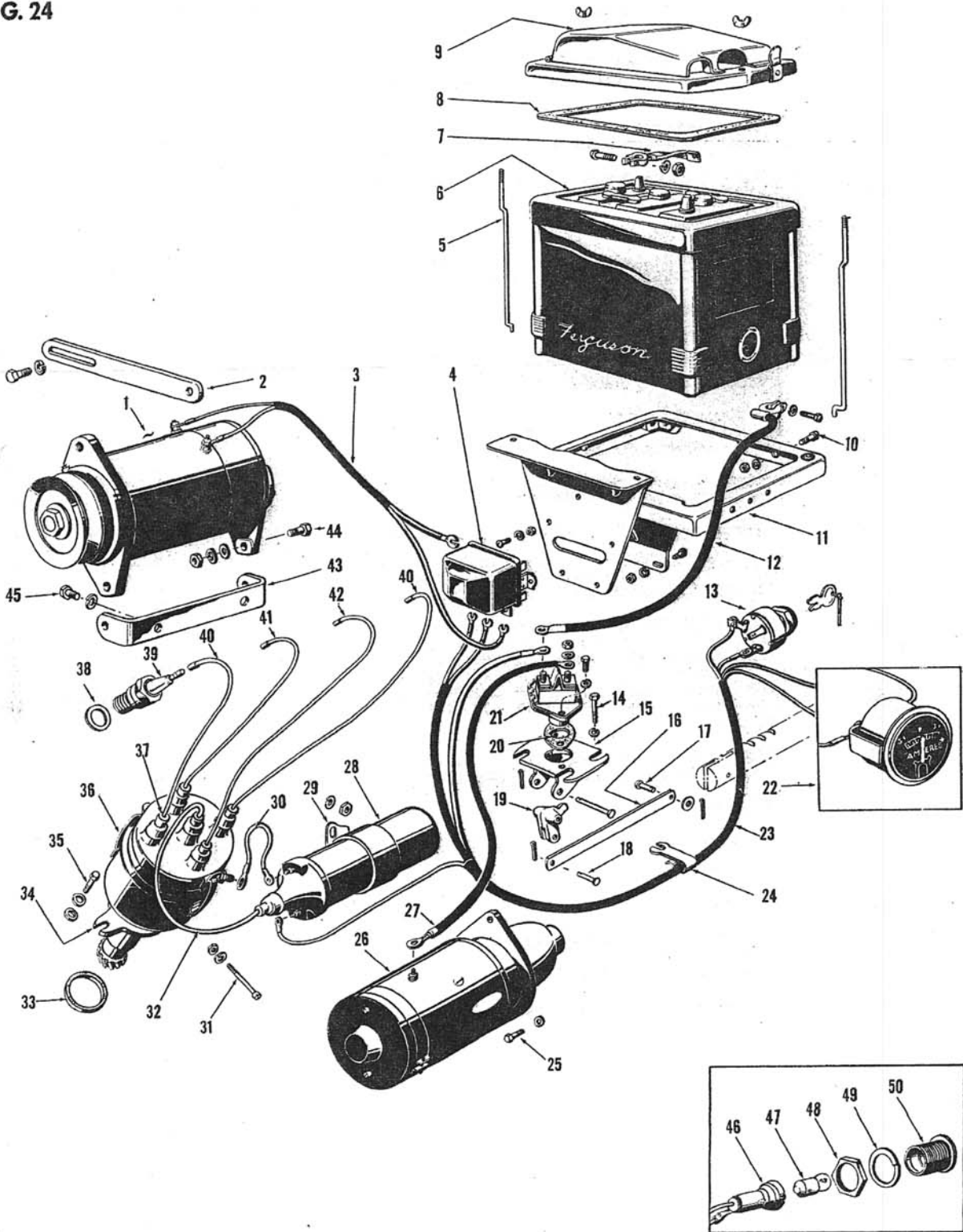


TRACTOR PARTS LIST

REF. NO.	PART NO.	DESCRIPTION	QUAN. REQUIRED				
			TO-30	TO-20	9N-2N	TE-20	TEA-20
FIG. 23 AIR CLEANER, FUEL FILTER, OIL GAUGE AND CONTROL RODS —Cont'd.							
30	{ 1912 2485	ROD-Arm Governor PLUNGER-Throttle Control-After # 200,001				1	1 1
31	{ 1391 2517	SPRING-Throttle Control Plunger-Prior to # 200,001 SPRING-Throttle Control Plunger-After # 200,001					1 1
32	58062	YOKE-Carburetor Control Rod				1	1
33	{ 57008 102806	LEVER ASSEMBLY-Governor-Prior to # 200,001 LEVER ASSEMBLY-Governor-After # 200,001					1 1
36	{ 1610 4465	ROCKER-Governor Linkage-Prior to # 200,001 ROCKER-Governor Linkage-After # 200,001					1 1
39	{ 2508 2483	SPRING-Governor Compensator -Prior to # 200,001 SPRING-Governor Compensator-After # 200,001					1 1
41	7330	HOSE-Air Inlet-Rubber					1
43	4262	CLAMP ASSEMBLY-Oil Cup-For 7115 or 7158				1	1
46	{ 2070 2072	CLIP-Hose-Air Cleaner Pipe-2" O.D. CLIP-Hose-Air Cleaner-Pipe-1.795" O.D.					3 1
47	1575	HOSE-Air Cleaner to Carburetor					1
48	{ 7156 7168 8742	AIR CLEANER ASSEMBLY-A.C. Sphinx-Optional w/7168 AIR CLEANER ASSEMBLY-Burgess-Optional w/7158 AIR CLEANER ASSEMBLY-After # 200,001					1 1 1
50	{ 2501 4260 4277	COVER AND SCREEN ASSEMBLY-After # 200,001 COVER ASSEMBLY-Air Cleaner-For 7115 or 7158 COVER ASSEMBLY-Air Cleaner-For 7161				1 1	1
52	{ 4261 4280 4281	CUP-Oil-Air Cleaner-For 7115 or 7158 CUP-Oil-Air Cleaner-For 7137 or 7161 CUP-Oil-Air Cleaner-For 7156				1 1	1 1
53	{ 8588 8717	PIPE-Air Cleaner to Carburetor PIPE-Air Cleaner to Carburetor-After # 200,001					1 1
	1880	HOSE-Molded-Suction-3/4" O.D.					1
	1921	CLIP-Fuel Line					1
	1922	HALF CLIP-Fuel Line					1
	2073	CLIP-Suction Hose					2
	YJ-2505	SCREW-P.K.-"J" Type-After # 200,001					1
	2518	NUT-Spring Captive-After # 200,001					1
	8610	PIPE ASSEMBLY-Suction-Air Cleaner to Block					1

TRACTOR PARTS LIST

FIG. 24



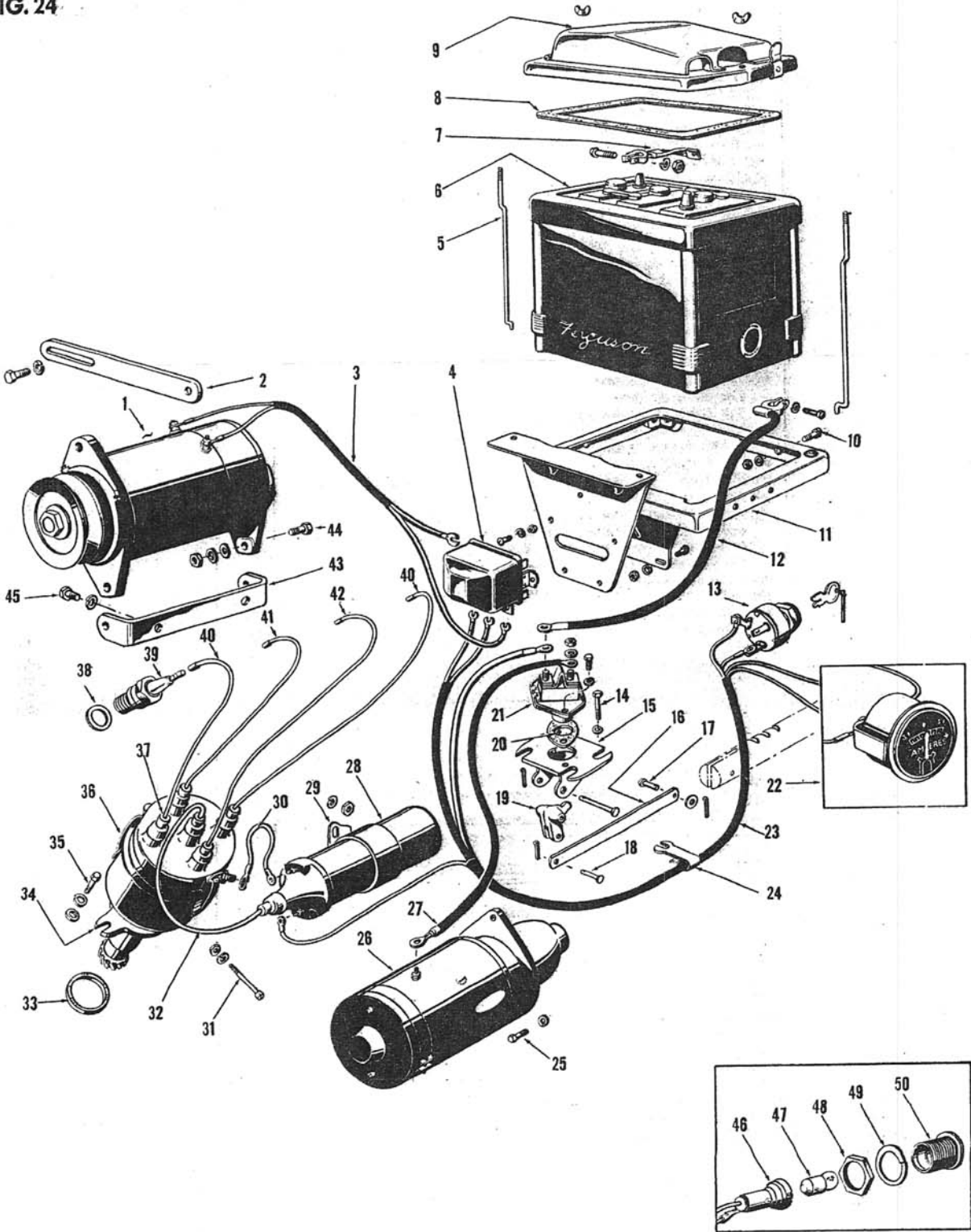
TRACTOR PARTS LIST

REF. NO.	PART NO.	DESCRIPTION	QUAN. REQUIRED				
			TO-30	TO-20	9N-2N	TE-20	TEA-20
FIG. 24 ELECTRICAL WIRING AND RELATED PARTS							
1	{ TO-10000-A1 TO-10000-C	GENERATOR ASSEMBLY } See Fig. 25 For Details	1	1			
2	TO-10161	ANCHOR-Generator Adjusting	1				
3	{ TO-10162 TO-14496	BOLT-Generator Adjusting Anchor to Generator	1				
	TO-10505-A	HARNES ASSEMBLY-Generator Wire	1				
4	{ 25-112-50 25-14 25-2103	REGULATOR-Voltage	1	1		*	*
	TO-10728	SCREW-Rd. Hd. } Regulator to Battery Platform	2	2			
5	S-9753-A	WASHER-Lock }	2	2		2	2
6	TO-10655	NUT-Hex Mach. }	2	2		*	*
	TO-10657	BOLT-Battery Anchorage	1	1		1	*
	TO-14301	NUT-Wing-Anchorage Bolt	1	1		1	*
7	TO-14303-A	BATTERY-With Electrolyte	1	1		1	1
	TO-14306	BATTERY-Dry For Export	1	1		1	1
8	TO-14304	STRAP ASSEMBLY-Battery to Ground	1	1		1	1
9	TO-10740	BOLT-Square Head } Battery Terminal	1	1		1	1
	TO-16938	WASHER-Lock }	1	1		1	1
		NUT-Hex }	1	1		1	1
	TO-10741	GASKET-Battery	1	1		1	1
	TO-16948	COVER ASSEMBLY-Battery	1	1		1	*
	12-06-25	composed of Cover and Frame not serviced and					
	{ 44-001-75 44-14 44-003	PIN-Battery Cover Hinge } Shown in Position	1	1		1	
10	TO-3809-B	CLIP-Battery Cover Hinge }	1	1		1	
		RIVET-Button Head }	1	1		1	
		BOLT-Hex Head } Battery Platform to Instrument Panel	2	2		2	
11		WASHER-Lock }	2	2		2	
		NUT-Hex }	2	2		2	
		PLATFORM ASSEMBLY-Battery	1	1		*	*
		composed of Platform not serviced and					
	S-10102	GROMMET-Battery Platform-Shown in Position	1	1		1	1
12	{ TO-14300 TO-14303-A TO-14304	CABLE ASSEMBLY-Battery to Starter Switch	1	1		1	1
	TO-3684	BOLT-Square Head } Battery Terminal	1	1		1	1
13	TO-3684-A	NUT-Hex }	1	1		1	1
		LOCK ASSEMBLY-Ignition	1	1		*	*
		LOCK ASSEMBLY-Ignition	1	1		*	*
		composed of					
	16-112-25	SCREW RD. HD. TERMINAL } Shown in Position	1	2			
	TO-3683	SCREW RD. HD. TERMINAL }	3	2			
	TO-3682	WASHER-Lock-Shakeproof }	1	1			
	TO-3689	NUT-Lock }	1	1			
	TO-3689-A	NUT-Lock }	1	1			
	TO-3685	KEY-Ignition	1	1		*	*
	TO-3685-A	KEY-Ignition	1	1		*	*
14	{ 31-101-75 31-14	SCREW-Cap } Plate and Bracket to Transmission	4	4			
15	TO-11454	WASHER-Lock }	1	1		*	*
16	TO-11512-A	PLATE AND BRACKET ASSEMBLY-Starter Switch	1	1		1	1
17	{ S-10211-C 31-104 09-05-50	LINK-Starter Switch to Reverse Shifter Rail	1	1		1	1
	S-10211-A	PIN-Clevis } Link to Reverse Shifter Rail	1	1		1	1
18	09-05-50	WASHER-Flat }	1	1		1	1
	TO-11515-A	PIN-Cotter } Toggle Lever to Link	1	1		1	1
19	{ S-10211-E 09-05-50	PIN-Clevis }	1	1		*	*
	TO-11462	PIN-Cotter } Toggle Lever to Plate and Bracket	1	1		1	1
20	TO-11450-A	LEVER-Toggle-Starter Switch	1	1		1	1
	25-001-38	GASKET-Starter Switch	1	1		*	*
21	{ 25-14 38-14 38-2103	SWITCH-Starter	2	2		*	*
	TO-10850	BOLT-Hex Head } Switch to Plate	2	2		*	*
22	TO-14498	WASHER-Lock }	2	2		*	*
23	TO-14495	WASHER-Lock } Cable to Switch and Starter	2	2		*	*
24	TO-14433	NUT-Hex Mach. }	2	2		*	*
25	{ 44-101-100 44-14	AMMETER	1	1		*	*
26	TO-11001	HARNES ASSEMBLY-Wire Complete	1	1		*	*
27	TO-14431	HARNES ASSEMBLY-Ammeter and Ignition Switch	1	1		1	*
		SUPPORT-Wire Harness	1	1		1	*
		SCREW-Cap } Starter to Cylinder Crankcase	2	2		2	2
		WASHER-Lock }	2	2		2	2
		STARTER ASSEMBLY-See Fig.26 For Details	1	1		*	*
		CABLE ASSEMBLY-Starter Switch to Starter	1	1		*	*

Continued on Page 59

TRACTOR PARTS LIST

FIG. 24



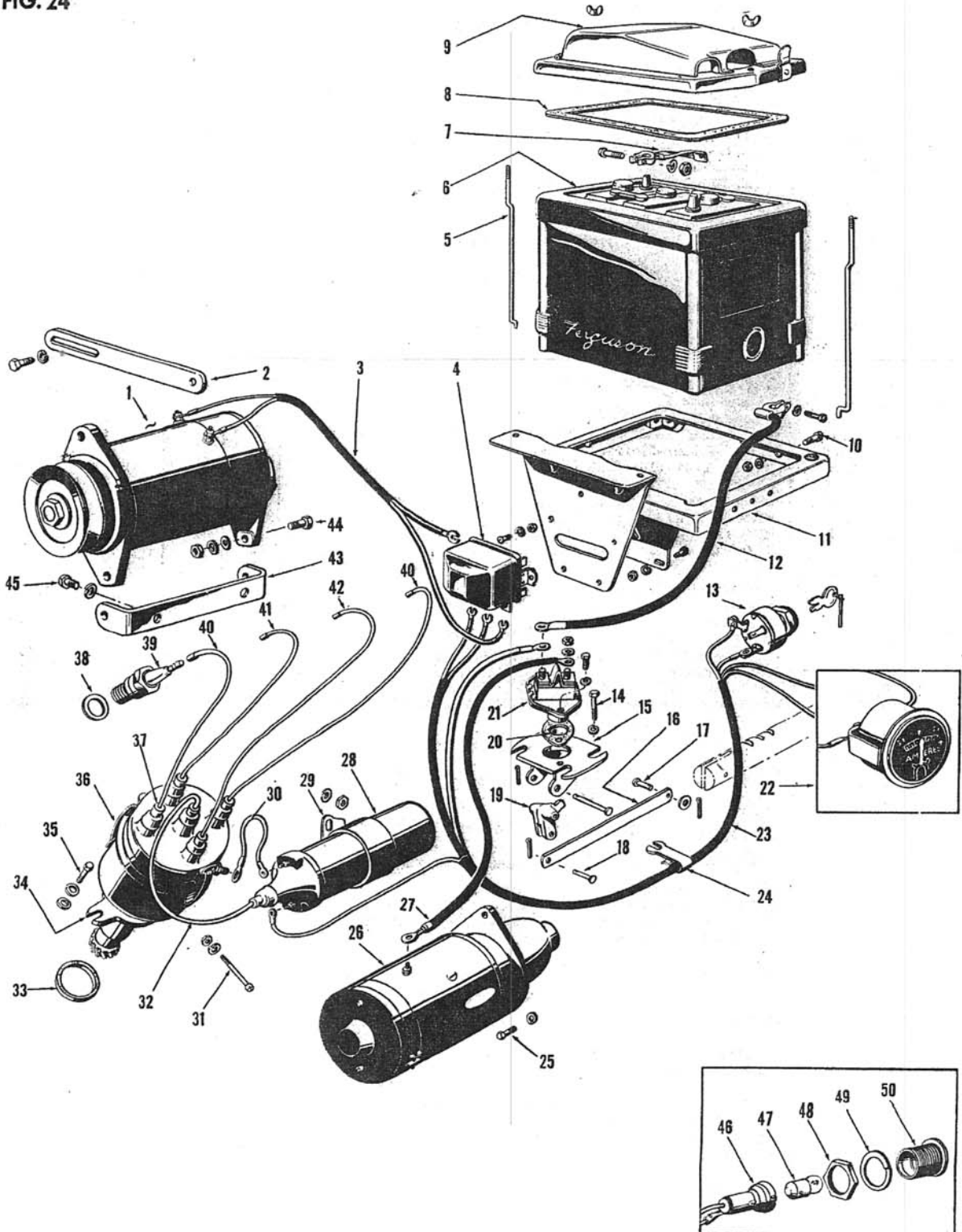
TRACTOR PARTS LIST

REF. NO.	PART NO.	DESCRIPTION	QUAN. REQUIRED				
			TO-30	TO-20	9N-2N	TE-20	TEA-20
FIG. 24 ELECTRICAL WIRING AND RELATED PARTS —Cont'd.							
28	TO-12024	COIL ASSEMBLY-Ignition	1	1		1	*
	1885531	composed of item 29 and					
	120614	SCREW-Bracket Attachment					
	1909206	NUT-Terminal					
	1909180	CLIP-Terminal Nut					
29	{ 25-14	BRACKET-Coil	1	1		1	
	25-2103	WASHER-Lock					
30	TO-12289	NUT-Hex Mach. } Bracket to Engine Block	2	2		2	
	TO-12289	WIRE ASSEMBLY-Coil	1	1		1	1
	S-31742	SCREW-Filister Head					
31	{ 25-14	WASHER-Lock	1	1			
	25-2103	NUT-Hex Mach. } Clamp to Distributor					
32	TO-12285	WIRE ASSEMBLY-Distributor to Coil	1	1		1	1
	TO-12026	NIPPLE-Rubber-Ignition Coil	1	1		1	1
33	TO-12108	SEAL-Distributor Housing	1	1			
34	TO-12102	CLAMP ASSEMBLY-Distributor	1	1		*	*
		composed of item 31					
	25-101-62	SCREW-Cap					
35	{ 25-104	WASHER-Flat	1	1		1	1
	25-14	WASHER-Lock } Clamp to Engine Block					
36	TO-12100	DISTRIBUTOR ASSEMBLY-Ignition-See Fig. 27 For Details		1			
	TO-12100-A	DISTRIBUTOR ASSEMBLY-Ignition-See Fig. 27 For Details	1				
37	TO-12113	NIPPLE-Rubber-Distributor Cap	5	5		5	5
38	TO-12410	GASKET-Spark Plug Seat	4	4		4	
	TO-12405	SPARK PLUG	4	4		4	
39	TS-12405-1	SPARK PLUG					4
40	TO-12283	WIRE ASSEMBLY-#1 and #3 Spark Plug	2	2		2	
41	TO-12284	WIRE ASSEMBLY-#2 Spark Plug	1	1		1	
42	TO-12286	WIRE ASSEMBLY-#4 Spark Plug	1	1		*	*
43	TO-10160	BRACKET-Generator Mounting	1				
	31-001-112	BOLT-Hex Head					
44	{ 31-14	WASHER-Lock	2				
	31-003	NUT-Hex } Generator to Mounting Bracket					
	44-101-112	SCREW-Cap					
45	{ 44-14	WASHER-Lock } Mounting Bracket to Cylinder Block	2				
46	TO-3691	SOCKET ASSEMBLY-Discharge Indicator		1		*	*
47	TO-3692	BULB-Discharge Indicator		1		*	*
48	TO-3681	NUT-Lock-Indicator Socket		1			
49	TO-3680	WASHER-Lock-Indicator Socket		1			
50	TO-3690	LENS ASSEMBLY-Indicator Socket		1		*	*
	TO-10153	PLATE ASSEMBLY-Generator Adjusting-Not Illustrated		1		1	
	44-001-362	BOLT-Hex Head					
	44-14	WASHER-Lock					
	44-003	NUT-Hex } Generator, Plate to Engine Block-Not					
	44-101-150	SCREW-Cap } Illustrated		1		1	
	44-204	WASHER-Flat					
	44-14	WASHER-Lock } Adjusting Plate to Generator-Not Illustrated		1		1	
		* TE and TE-A20 Service Items-Not Illustrated					
	37053	REGULATOR-Voltage-Prior to # 200,001				1	1
4	{ 37061	REGULATOR-Voltage-Optional W/37140 After # 200,001					1
	37140	REGULATOR-Voltage-Optional W/37061 After # 200,001					1
	188818	SLEEVE-Wire Attachment-Regulator					4
	2568	BOLT-Battery-Anchorage After # 200,001					2
5	{ 1262	NUT-Wing-Battery Anchorage -After # 200,001					2
6	4011500-F	BATTERY-After # 200,001					1
	4392	COVER-Battery-Prior to # 200,001					1
9	{ 4486	COVER-Battery-After # 200,001					1
	8565	PLATFORM ASSEMBLY-Battery-Prior to # 200,001				1	1
	8761	PLATFORM ASSEMBLY-Battery-After # 200,001					1
11	{ 4309	MAT-Battery-Prior to # 200,001				1	1
	4487	MAT-Battery-After # 200,001					1
	31083	LOCK ASSEMBLY-Ignition				1	1
13	{ 312305	KEY-Ignition Switch				1	1
19	1300	LEVER-Toggle-Starter Switch				1	1

Continued on Page 61

TRACTOR PARTS LIST

FIG. 24



TRACTOR PARTS LIST

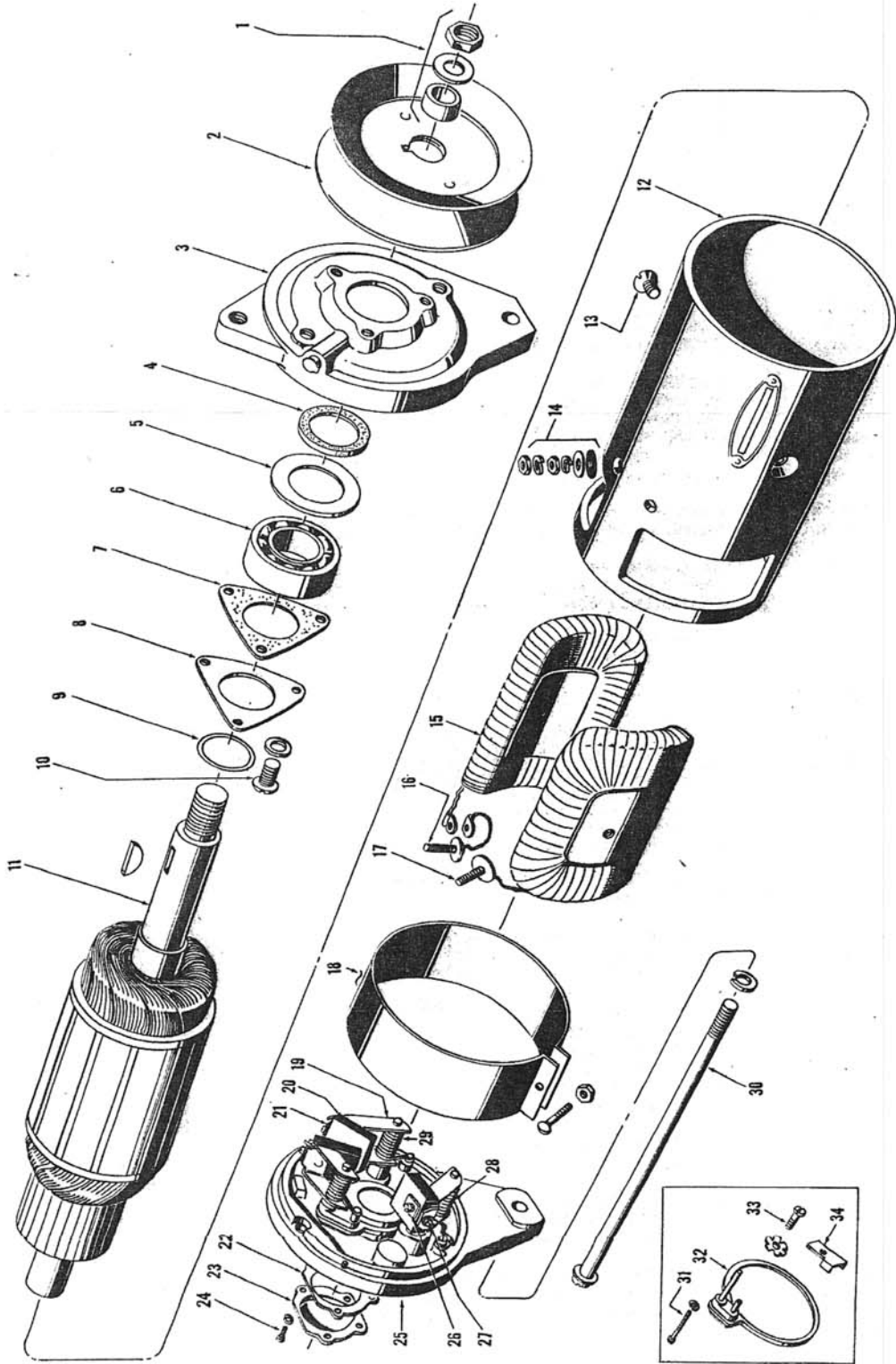
REF. NO.	PART NO.	DESCRIPTION	QUAN. REQUIRED				
			TO-30	TO-20	9N-2N	TE-20	TEA-20
FIG. 24 ELECTRICAL WIRING AND RELATED PARTS —Cont'd.							
21	TS-11461	SWITCH ASSEMBLY-Starter composed of items 15, 19 and 21 on page 57				1	1
23	{ 972722 974361 { 979440	HARNES ASSEMBLY-Wire-Complete-Prior to # 16,000 . . .				1	
		HARNES ASSEMBLY-Wire-Complete-After # 16,000 on TE and up to # 200,001 on TE-A				1	1
		HARNES ASSEMBLY-Wire-Complete After # 200,001					1
24	1919	CLIP-Wiring Harness					1
27	974372	CABLE ASSEMBLY-Starter Switch to Starter				1	1
28	{ 45012 1420 { 408120	COIL ASSEMBLY-After # 200,001					1
		BRACKET-Ignition Coil				1	1
		NUT-Moulded-Ignition Coil				1	1
33	{ 415034 { 415158	CLAMP ASSEMBLY-Distributor-Prior to # 200,001				1	1
		CLAMP ASSEMBLY-Distributor-After # 200,001					1
40	TS-12286	WIRE ASSEMBLY- #4 Spark Plug				1	
46	TS-3693	KIT-Discharge Indicator composed of items 46 thru 50, page 59				1	1
	38013-C	WARNING LIGHT-After # 200,001					1
47	970	BULB-Discharge Indicator				1	1
50	318805	LENS ASSEMBLY-Indicator Socket				1	1
	2398	SUPPORT-After # 200,001					1
	2569	PLATE ASSEMBLY-Retaining-After # 200,001					1
	2576	CLIP-Battery-Cover-After # 200,001					1
	2577	DISTANCE PIECE-Battery Cover-After # 200,001					1
	2580	DISTANCE PIECE-After # 200,001					1
	8762	BATTERY CRADLE ASSEMBLY-After # 200,001					1
	8773	CRADLE AND PACKING ASSEMBLY-Battery After # 200,001 . .					1
	60379	COVER-Spark Plug-Prior to # 200,001				1	1
	102314	COVER-Waterproof-After # 200,001					1
	102711	COVER-Waterproof Terminal-After # 172,587					1
	238576	BOOT-Rubber				1	1

TRACTOR PARTS LIST

REF. NO.	PART NO.	DESCRIPTION	QUAN. REQUIRED				
			TO-30	TO-20	9N-2N	TE-20	TEA-20
FIG. 25 GENERATOR ASSEMBLY							
	TO-10000-A1	GENERATOR ASSEMBLY		1		*	*
	TO-10000-C	GENERATOR ASSEMBLY composed of items 1 thru 34	1				
1	{ 806915 804000 817224	NUT-Armature Shaft Drive End	1	1		*	*
		WASHER-Lock-Armature Shaft-Drive End	1	1		*	*
		COLLAR-Spacer-Drive End	1	1			
2	1912440	PULLEY-Generator	1	1		*	*
3	{ 1912438 1855960 809593 1880635	FRAME-Generator Drive End		1		*	*
		FRAME-Generator Drive End	1				
		PIN-Dowel-Generator Drive End	1	1			
		OILER-Drive End Frame	1	1			
4	809961	WASHER-Felt-Drive End	1	1		*	*
5	819104	RETAINER-Felt Washer	1	1		*	*
6	954378	BEARING-Ball-Drive End	1	1		1	*
7	1912008	GASKET-Ball Bearing Retainer Plate	1	1			
8	1911263	PLATE-Retainer-Ball Bearing	1	1			
9	809945	WASHER-Spacer-Drive End	1	1			
10	{ 1904370 1880781	SCREW-Ball Bearing Retainer Plate	3	3			
		WASHER-Drive End Bearing Retainer	3	3			
11	{ 1917164 1920675 124545	ARMATURE-Generator		1			*
		ARMATURE-Generator	1				
		KEY-Woodruff-Shaft to Pulley	1	1			
12		HOUSING-Not Serviced					
13	1843646	SCREW-Generator Pole Shoe	2	2			
14	{ 1904661 121743 1881409 1858753 1885090	WASHER-Terminal Lock	4	4			
		NUT-Terminal	4	4			
		WASHER-Terminal-Plain	3	3			
		WASHER-Terminal Insulating	2	2			
		BUSHING-Terminal Stud-Not Illustrated	2	2			
15	{ 1913554 1914491 1914618	FIELD COIL ASSEMBLY-Generator	1	1		*	*
		INSULATOR-Field Coil	2	2			
		SHOE-Generator Pole-Shown in Position	2	2			
16	{ 1858754 200182	TERMINAL AND LEAD ASSEMBLY-Armature	1	1			
		CLIP-Terminal	2	2		*	*
17	1858751	TERMINAL-Field Stud and Bushing	1	1			
18	1872638	BAND ASSEMBLY-Generator Cover composed of Band not serviced and SCREW-Round Head } Cover Band	1	1		*	*
19	132930 120614	NUT-Hex	1	1			
		HOLDER-Generator Brush	3	3			
20	1880998	BRUSH KIT-Generator	1	1		*	*
21	809551	WASHER-Plain-Brush Attaching Screw	3	3			
22	817220	GASKET-Commutator End Cover Plate	1	1			
23	820524	PLATE-Commutator End Cover	1	1		*	*
24	{ 1886496 121841	SCREW-Commutator End Cover Plate	3	3			
		WASHER-Lock-Cover Plate Screw	3	3			
25	{ 817529 817216 817313 817314 812016 812015 812823 809062 1880635 804076 1911097	FRAME ASSEMBLY-Generator Commutator End		1		*	*
		FRAME ASSEMBLY-Generator Commutator End composed of Frame not serviced and	1				
		PIN-Brush Holder Hinge-Main	1	1			
		PIN-Brush Holder Stop-Main	1	1			
		PIN-Brush Holder Hinge and Insulating	1	1			
		PIN-Brush Holder Stop and Insulating	1	1			
		BUSHING-Commutator End Frame				*	*
		PIN-Commutator End Frame Dowel	1	1			
		OILER-Commutator and Drive End Frame Oiler	2	2			
		WICK-Commutator End Frame Oiler	1	1		*	*
		PLUG-Oil Hole-Commutator End Frame	1	1			

TRACTOR PARTS LIST

FIG. 25



TRACTOR PARTS LIST

REF. NO.	PART NO.	DESCRIPTION	QUAN. REQUIRED				
			TO-30	TO-20	9N-2N	TE-20	TEA-20
FIG. 25 GENERATOR ASSEMBLY —Cont'd.							
26	{ 141540 131044	SCREW-Generator Brush Lead WASHER-Brush Attaching-Lock	3 3	3 3			
27	{ 451608 1904377 809688	SCREW-Generator Brush Holder WASHER-Lock-Brush Lead LEAD-Ground-Generator Brush	3 3 1	3 3 1			
28 29	{ 809644 809658	SPRING-Generator Brush-3rd and Ground SPRING-Generator Brush-Main	2 1	2 1		*	*
30	{ 815018 120638	BOLT-Generator Thru WASHER-Lock-Generator Thru Bolt	2 2	2 2		*	*
31	{ 141543 120217	SCREW-3rd Brush Plate Clamp WASHER-Spring-3rd Brush Plate Screw	1 1	1 1			
32	809698	PLATE-3rd Brush Hinge Pin Insulating	1	1			
33	{ 809614 809824	PIN-3rd Brush-Plate Washer SPRING-Third Brush Plate Tension	1 1	1 1			
34	817532 1912439 1913179 131200	CLAMP-3rd Brush Plate. BRACKET-Generator Mounting BOLT-Mounting Bracket WASHER-Lock-Mounting Bracket Bolt	1 1	1 1			
		<u>* TE- & TE-A20 Service Items-Not Illustrated</u>					
	22420	GENERATOR ASSEMBLY-Prior to # 132,206				1	
	22256	GENERATOR ASSEMBLY-After # 132,206 to 172,587				1	
	22261	GENERATOR ASSEMBLY-After # 172,587 to # 200,001					1
	22259	GENERATOR ASSEMBLY-After # 200,001					1
	180620	NUT-Armature Shaft Drive End-Prior to # 132,206				1	1
	180740	NUT-Armature Shaft Drive End-After # 132,206					1
1	{ 185137 60561	WASHER-Lock-Armature Shaft Drive End WASHER-Lock-Armature Shaft Drive End-Prior to # 132,206				1	1
	101483	WASHER-Lock-Armature Shaft Drive End-After # 200,001					1
2	{ 228469 56837 100407	PULLEY-Generator PULLEY-Generator-Prior to # 132,206 PULLEY-Generator-After # 132,206				1	1
	228482	FRAME-Generator Drive End				1	1
3	{ 227633 227732	FRAME-Generator Drive End-Prior to # 200,001 FRAME-Generator Drive End-After # 200,001					1
4	238563	WASHER-Felt				1	1
5	238564	WASHER-Dished				1	1
6	189237	BEARING DRIVE END					1
	228067	ARMATURE-Generator				1	
11	{ 227294 227727 227693	ARMATURE-Generator-Prior to # 172,587 ARMATURE-Generator-After # 172,587 to # 200,001 ARMATURE-Generator-After # 200,001					1
	228494	FIELD COIL ASSEMBLY-Generator				1	
15	{ 227640 227291	FIELD COIL ASSEMBLY-Generator-Prior to # 200,001 FIELD COIL ASSEMBLY-Generator-After # 200,001					1
16	{ 238742 238743	PLUG-Generator Field PLUG-Generator-Positive				1	1
18	227627	BAND-Cover				1	1
20	{ 203148 227305	BRUSH KIT-Generator BRUSH KIT-Generator				1	1
23	238566	CAP-Commutator End Cover				1	1
	228483	FRAME-Commutator End				1	
25	{ 227613 227733	FRAME-Commutator End-Prior to # 200,001 FRAME-Commutator End-After # 200,001					1
	238567	BUSHING-Commutator End				1	
	220258	BUSHING-Commutator End-Prior to # 200,001					1
	227713	BUSHING-Commutator End-After # 200,001					1
	238370	OILER-Commutator End-Prior to # 200,001				1	1
	238367	OILER-Commutator End-After # 200,001					1
29	228159	SPRING-Generator Brush				2	2
30	228066	BOLT-Generator Thru				1	1
	249694	BOX OF SUNDRIES-Generator				1	
	227349	BOX OF SUNDRIES-Generator-Prior to # 200,001					1
	227726	BOX OF SUNDRIES-Generator-After # 200,001					1

TRACTOR PARTS LIST

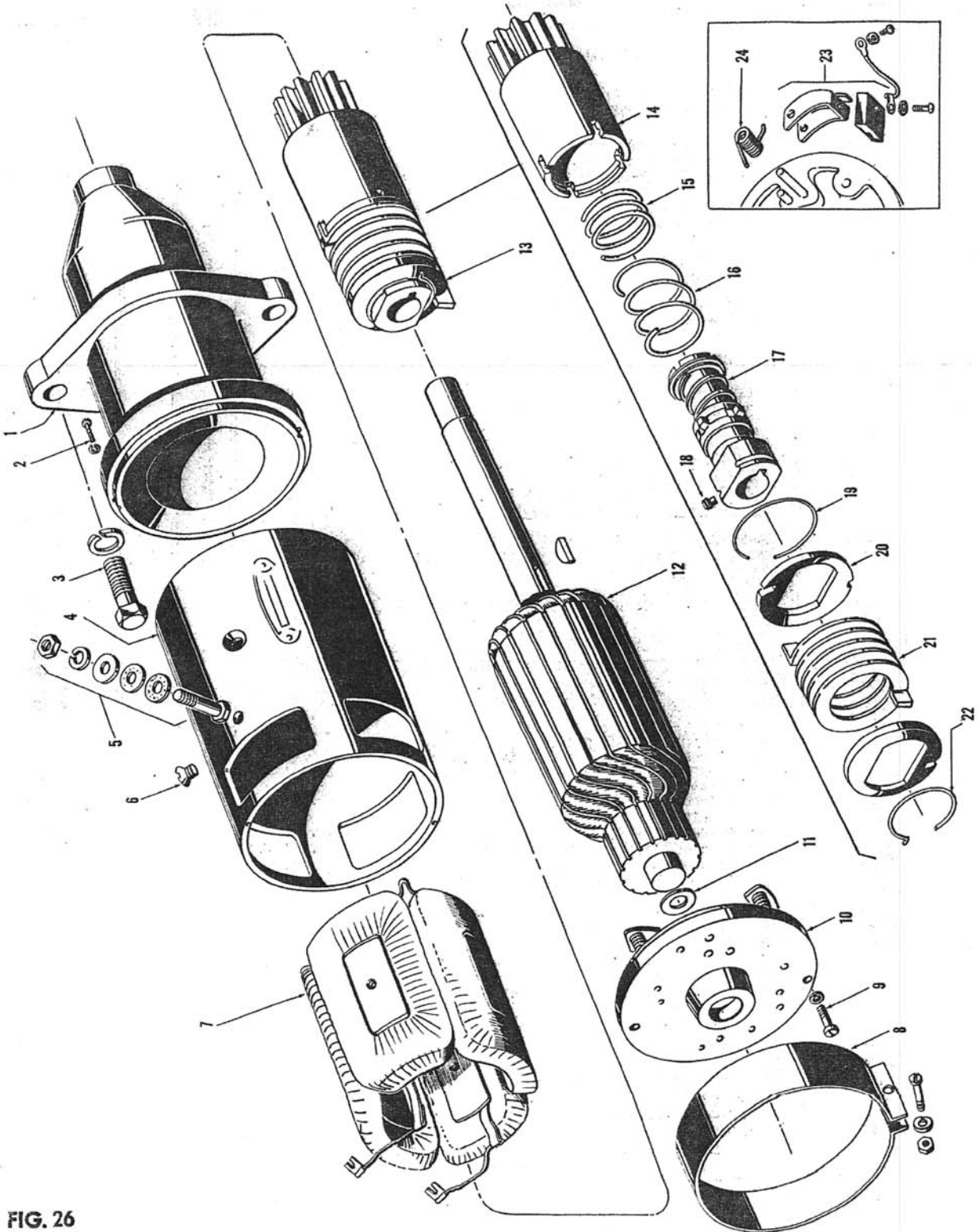


FIG. 26

TRACTOR PARTS LIST

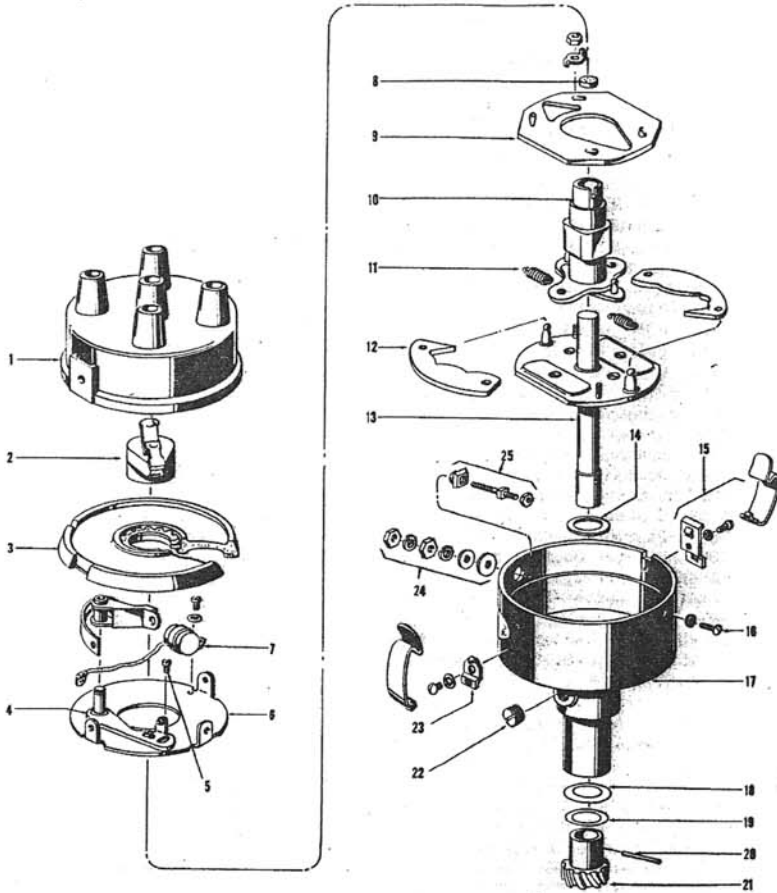
REF. NO.	PART NO.	DESCRIPTION	QUAN. REQUIRED				
			TO-30	TO-20	9N-2N	TE-20	TEA-20
FIG. 26 STARTER ASSEMBLY							
	TO-11001	STARTER ASSEMBLY	1	1		*	*
1	1912435	composed of items 1 thru 24 FRAME ASSEMBLY-Starter Drive End	1	1		*	*
	810620	composed of Frame Not serviced and BUSHING-Starter Drive End	1	1		*	*
2	{ 1838568 132911 131183	WASHER-Spacer-Starter D.E. and C.E.-See Ref. 11 . . . SCREW-Rd. Hd. } Starter Drive End Frame	1	1		*	*
3	{ 44-101-100 44-14	SCREW-Cap } Starter to Cylinder Crankcase	2	2		2	
4		WASHER-Lock } HOUSING-Not Serviced	4	4			
	{ 1881865 1881867 1881866	STUD-Starter Terminal	1	1			
5	{ 120214 134556 1903092	WASHER-Terminal Insulating-11/16 O.D. WASHER-Terminal Insulating-1/2 O.D. WASHER-Lock	2	2			
	{ 134556 1903092	NUT-Terminal Stud	2	2			
6	1881869	WASHER-Plain	2	2			
	1881869	SCREW-Starter Pole Shoe	4	4			
7	{ 1882908 1882909 1881870	FIELD COIL-Starter-L.H. FIELD COIL-Starter-R.H. SHOE-Starter Pole	1	1		*	*
	1881870		1	1		*	*
8	1887889	BAND ASSEMBLY-Starter Cover	1	1		*	*
	132926	composed of Band not serviced and SCREW-Rd. Hd. } Cover Band	1	1			
	120614	NUT-Hex	1	1			
9	{ 115380 131183	SCREW-Rd. Hd. } Commutator End Frame	2	2		*	*
	131183	WASHER-Lock	2	2		*	*
10	1881833	FRAME ASSEMBLY-Starter Commutator End	1	1		*	*
	817313	composed of Frame not serviced and PIN-Brush Holder Hinge	2	2			
	1881841	PIN-Brush Holder Stop	2	2			
	812016	PIN-Brush Holder Hinge and Insulating	2	2			
	812015	PIN-Brush Holder Stop and Insulating	2	2			
	1839345	BUSHING-Starter Commutator End Frame	1	1		*	*
	1865182	PLUG-Starter Commutator End Frame	1	1		*	*
11	1838560	WASHER-Spacer-Starter D.E. and C.E.	1	1		*	*
12	{ 1881818 124546	ARMATURE-Starter	1	1		*	*
	124546	KEY-Woodruff-Drive Shaft	1	1			
13	1878079	DRIVE ASSEMBLY-Starter	1	1		*	*
	1878079	composed of items 14 thru 22 PINION AND BARREL ASSEMBLY-Starter	1	1		*	*
14	1859053	SPRING-Starter Meshing	1	1		*	*
15	1848528	SPRING-Starter Anti-Drift	1	1		*	*
16	1859035	SHAFT ASSEMBLY-Starter Drive	1	1		*	*
17	1878420	PIN-Starter Pilot	1	1		*	*
18	1878419	RING-Snap-Pinion and Barrel	1	1		*	*
19	1859033	PLATE-Starter Drive Spring	2	2		*	*
20	1916461	SPRING-Starter Main Drive	1	1		*	*
21	1878421	RING-Lock Starter	1	1		*	*
22	1878418	HOLDER-Starter Brush	4	4			
	810226	SCREW-Starter Brush Lead	4	4			
23	{ 115903 131044 1881839	WASHER-Lock	4	4			
	1881839	LEAD-Ground-Starter Brush	2	2			
	122159	SCREW-Starter Brush Lead	2	2			
	121841	WASHER-Lock	2	2			
24	1881835	SPRING-Starter Brush	4	4		*	*
	1881838	BRUSH KIT-Starter	1	1		*	*

TRACTOR PARTS LIST

REF. NO.	PART NO.	DESCRIPTION	QUAN. REQUIRED				
			TO-30	TO-20	9N-2N	TE-20	TEA-20
FIG. 26 STARTER ASSEMBLY -Cont'd.							
* TE- & TE-A20 Service Items-Not Illustrated							
1	25519	STARTER ASSEMBLY-Prior to # 200,001				1	1
	25038	STARTER ASSEMBLY-After # 200,001					1
	256255	FRAME ASSEMBLY-Starter D.E.-Prior to # 200,001				1	1
	251128	FRAME ASSEMBLY-Starter D.E.-After # 200,001 composed of					1
	256112	BUSHING-Starter Drive End-Prior to # 200,001				1	1
	250678	BUSHING-Starter Drive End-After # 200,001					1
7	256259	FIELD COIL ASSEMBLY-Starter-Prior to # 18,000				1	1
	255858	FIELD COIL ASSEMBLY-Starter-After # 18,000 to # 200,001				1	1
	251089	FIELD COIL ASSEMBLY-Starter-After # 200,001				1	1
	25557	BAND ASSEMBLY-Starter Cover-Prior to # 200,001				1	1
8	250322	BAND ASSEMBLY-Starter Cover-After # 200,001				1	1
	255459	BOLT-Starter Thru				2	2
9	256748	FRAME ASSEMBLY-C.E.-Prior to # 200,001				1	1
	251104	FRAME ASSEMBLY-C.E.-After # 200,001					1
10	255491	BUSHING-Starter-C.E. Frame-Prior # 200,001				1	1
	250626	BUSHING-Starter-C.E. Frame-After # 200,001					1
	256331	COVER-Starter Shaft-C.E.-Prior to # 200,001				1	1
	250599	COVER-Starter Shaft-C.E.-After # 200,001					1
11	149110	WASHER-Spacer Starter Drive End				1	1
	256548	ARMATURE-Starter-Prior to # 200,001				1	1
12	251356	ARMATURE-Starter-After # 200,001					1
	291352	DRIVE ASSEMBLY-Starter-Prior to # 200,001				1	1
13	291380	DRIVE ASSEMBLY-Starter-After # 200,001 composed of					1
	291347	PINION AND BARREL ASSEMBLY-				1	1
14	291101	PINION AND BARREL ASSEMBLY-After # 200,001				1	1
	256027	SPRING-Starter-Anti-Drift-Prior to # 200,001				1	1
16	291035	SPRING-Starter-Anti-Drift-After # 200,001					1
	256299	SLEEVE ASSEMBLY-Starter Drive-Prior to # 43,552				1	1
17	291351	SLEEVE ASSEMBLY-Starter Drive-After # 43,552				1	1
	291362	PLATE-Starter Trans.-After # 43552					1
18	256482	NUT-Locating-For Keyed Shaft				1	1
	255806	NUT-Locating-For Pegged Shaft				1	1
	291042	NUT-Starter Shaft-After # 200,001					1
	256320	PEG-Locating Nut-For 255806				1	1
19	255815	RING-Snap-Pinion and Barrel				1	1
	255814	COUPLING-Starter Washer-After #43,552				1	1
20	270326	SPRING-Starter Main Drive-Prior to # 43,552				1	1
	291043	SPRING-Starter Main Drive-After # 200,001					1
22	255820	CIRCLIP-Starter Drive End				1	1
	185187	WASHER-Friction-Main Drive Spring-Prior to # 43,552				1	1
	255816	WASHER-Friction-Starter-After # 43,552				1	1
	158250	WASHER-Packing-Starter-After # 43,552				1	1
	291350	SLEEVE-Starter Plate-After #43,552				1	1
	270004	SPRING-Starter Brush-Prior to # 200,001				1	1
24	251109	SPRING-Starter Brush-After # 200,001					1
	249695	BOX OF SUNDRIES-Starter-Prior to # 200,001				1	1
	256762	BOX OF SUNDRIES-Starter-After # 200,001					1
	259659	BRUSH KIT-Starter-Prior to # 200,001				1	1
	251108	BRUSH KIT-Starter-After # 200,001					1

TRACTOR PARTS LIST

FIG. 27



REF. NO.	PART NO.	DESCRIPTION	QUAN. REQUIRED				
			TO-30	TO-20	9N-2N	TE-20	TEA-20
FIG. 27 DISTRIBUTOR ASSEMBLY							
	TO-12100	DISTRIBUTOR ASSEMBLY		1		*	*
	TO-12100-A	DISTRIBUTOR ASSEMBLY	1				
		composed of items 1 thru 25					
1	311735	CAP ASSEMBLY-Distributor	1	1		*	*
		composed of Cap not serviced and					
	821604	BUTTON-Carborn-Distributor Cap	1	1		*	*
2	1905590	ROTOR-Distributor	1	1		*	*
3	1900119	COVER ASSEMBLY-Distributor Dust	1	1		*	*
		composed of Cover not serviced and					
	1389966	GASKET-Dust Cover	1	1			
	1914309	SEAL-Felt-Dust Cover	1	1			
4	1911119	CONTACT SET-Breaker Point	1	1			
5	816784	SCREW-Adjusting Breaker Point	1	1		*	*
6	1847643	PLATE-Distributor Breaker	1	1			
	1869704	CONDENSER-Distributor	1	1		*	*
7	131949	SCREW-Rd. Hd. } Condenser to Plate	1	1			
	121841	WASHER-Lock	1	1			
8	816803	WICK-Felt-Cam		1			
	819639	WICK-Felt-Cam	1				
	1885557	PLATE-Distributor Weight Retainer	1				
9	1885558	WASHER-Lock-Plate Nut	1	1			
	120614	NUT-Distributor Retainer Plate	2	2			
10	1911257	CAM-Distributor Breaker	2	2		*	*
	1919674	CAM-Distributor Breaker	1	1			

Continued on Page 71

TRACTOR PARTS LIST

REF. NO.	PART NO.	DESCRIPTION	QUAN. REQUIRED				
			TO-30	TO-20	9N-2N	TE-20	TEA-20
FIG. 28 HOOD, RADIATOR, FUEL TANK AND RELATED PARTS							
1	TO-16624-B	HOOD TOP PANEL ASSEMBLY	1	1		*	*
2	TO-8215	NAME PLATE-Hood	1	1		1	1
3	{ TO-8217-A 19-112-31 19-14	BRACKET-Hood Name Plate	1	1			
		SCREW-Rd. Hd. } Bracket to Name Plate	2	2		2	2
		WASHER-Lock }					
4	{ 25-001-50 25-104 25-14 25-003	BOLT-Hex Head } Grille to Side Panels and Hood	14	14			
		WASHER-Flat }					
		WASHER-Lock }					
		NUT-Hex }					
5	TO-8206-B	GRILLE & STOP SUPPORT ASSEMBLY	1	1		*	*
6	TO-16943	BOLT-Pivot-Side, Panel, Grille to Front Axle	2	2		2	2
7	{ TO-16613-A TO-16615-A	PANEL ASSEMBLY-Side-L.H.	1	1		*	*
		PANEL ASSEMBLY-Side-R.H.-Not Illustrated	1	1		*	*
8	{ 8-9579-A 16-14	SCREW-Side Panels to Hood Top	2	2			
		WASHER-Lock-Side Panel to Hood Top	2	2			
9	{ TO-3810-A TO-3810-B	PANEL-Dash	1	1		*	*
		PANEL-Dash	1				
10	{ 19-112-38 TO-16605 19-14 19-2103	SCREW-Rd. Hd. } Hood Latch Lever to Dash Panel	3	3			
		CLIP-Hood Latch }					
		WASHER-Lock }					
		NUT-Hex }					
11	{ TO-3535 31-14 31-003	BOLT-Carriage } Dash to Instrument Panel	2	2		2	2
		WASHER-Lock }					
		NUT-Hex }					
12	{ TO-16660-A TO-16660-B TO-16661-A TO-16661-B 8-10111	NAME PLATE-Hood Side-R.H.-Not Illustrated	1	1		1	1
		NAME PLATE-Hood Side R.H.-Not Illustrated	1				
		NAME PLATE-Hood Side-L.H.	1	1		1	1
		NAME PLATE-Hood Side-L.H.	1				
		SPEED NUT-Hood Side Name Plate	6	6		6	6
13	TO-16610	CLAMP & LEVER ASSEMBLY-Hood Latch	1	1		*	*
14	TO-9002-A	TANK & CAP ASSEMBLY-Fuel composed of Tank not serviced and item 15	1	1		*	*
15	TO-9031-A	CAP-Fuel	1	1		*	*
16	{ 25-112-50 25-14 25-2103	SCREW-Rd. Hd. } Fuel Tank to Tool Tray	3	3			
		WASHER-Lock }					
		NUT-Hex Mach. }					
17	TO-17005-A	TOOL TRAY	1	1		*	*
18	{ TO-9068 TO-9067-A 31-101-88 31-14	STRAP-Fuel Tank	2	2			
		PAD-Fuel Tank	4	4			
		SCREW-Cap } Fuel Tank Attachment	4	4		4	4
		WASHER-Lock }					
19	{ TO-8038-A 09-05-50	TIE ROD-Radiator	1	1		1	*
		PIN-Cotter	2	2		2	
20	TO-8100-A1	CAP-Radiator	1	1		*	*
21	TO-8009	RADIATOR-W/Item 22 for TE & TE-A20	1	1		1	1

Continued on Page 75

TRACTOR PARTS LIST

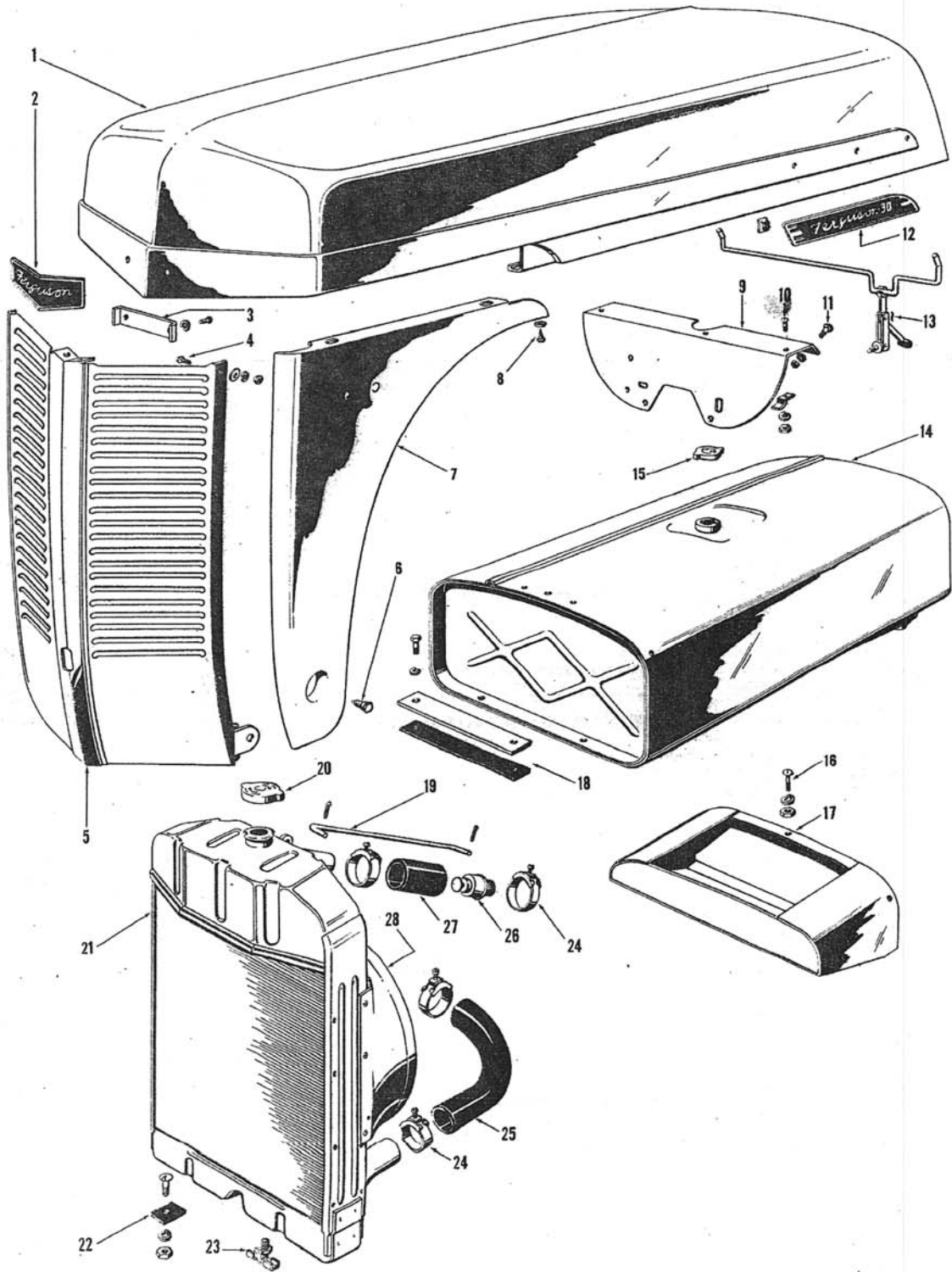


FIG. 28

TRACTOR PARTS LIST

REF. NO.	PART NO.	DESCRIPTION	QUAN. REQUIRED				
			TO-30	TO-20	9N-2N	TE-20	TEA-20
FIG. 28 HOOD, RADIATOR, FUEL TANK AND RELATED PARTS —Cont'd.							
22	{ 44-011-125 TO-8125 44-14 44-003	BOLT-Carriage PAD-Radiator Support WASHER-Lock NUT-Hex } Radiator To Front Axle Support .	2	2		2	2
23	TO-8115	DRAIN COCK-Radiator	1	1		1	1
24	S-10085	CLAMP-Radiator Hose	4	4		4	4
25	TO-8286	HOSE-Radiator-Bottom	1	1		1	*
26	TO-8575	THERMOSTAT	1	1		1	
27	TO-8260	HOSE-Radiator-Top	1	1		1	*
28	{ TO-8146 S-9754-B	SHROUD-Radiator SCREW-Self Tapping } Shown in Position	1 7	1 7		1 7	* *
* TE- & TE-A20 Service Items-Not Illustrated							
1	9507	HOOD TOP PANEL ASSEMBLY				1	1
5	{ 9524 9523	GRILLE ASSEMBLY-R.H. GRILLE-ASSEMBLY-L.H.				1 1	1 1
	9533	CENTER BAR & LOWER PANEL				1	1
7	{ 9531 9532	PANEL ASSEMBLY-Side-L.H. PANEL ASSEMBLY-Side-R.H.				1 1	1 1
	9	{ 7104 7332	BULKHEAD-Prior to # 200,001 BULKHEAD-After # 200,001			1 1	1 1
13	{ 1429 1431 1432 1433	HANDLE ASSEMBLY-Hood Latch FERRULE-Handle NUT-Special LEVER-L.H.				2 2 2 1	2 2 2 1
	{ 1434 4170 4171	LEVER-R.H. CATCH ASSEMBLY-L.H. CATCH ASSEMBLY-R.H.				1 1 1	1 1 1
	14	{ 9623 4477	FUEL TANK-Prior to # 200,001 FUEL TANK-After # 200,001			1	1
	15	{ 1564 1897	CAP-Fuel Tank-Lock Type CAP-Fuel Tank-Screw Type			1 1	1 1
17	{ 8549 8701	TOOL BOX-Prior to # 200,001 TOOL BOX-After # 200,001			1	1	
19	1567	TIE ROD-Radiator				1	1
20	{ TS-8111 TS-8100	GASKET-Radiator Cap CAP-Radiator				1 1	1 1
25	TS-8286	HOSE-Radiator-Bottom				1	1
27	TS-8260	HOSE-Radiator-Top				1	1
28	{ 9582 9686 4167 8566 1944 7108 1423 1424 1809	SHROUD-Radiator-Prior to # 200,001 SHROUD-Radiator-After # 200,001 RUNNER-Hood Side STRAP-Hood Stiffening SEAL-Rubber-Hood Strap SUPPORT-Hood CLIP-Hood Support PACKING-Hood Support BRACKET-Radiator Tie				1 1 2 1 1 1 1 2 2 2	1 1 1 1 1 1 2 2 2

TRACTOR PARTS LIST

REF. NO.	PART NO.	DESCRIPTION	QUAN. REQUIRED				
			TO-30	TO-20	9N-2N	TE-20	TEA-20
FIG. 29 AXLE-FRONT-WHEEL, HUB AND RELATED PARTS							
1	{ 50-013 12-05-75	NUT-Slotted Hex } Drag Link to Steering Sector PIN-Cotter }	2	2	2	2	2
2	TO-3304-A	LINK ASSEMBLY-Steering Drag composed of Rod not serviced and items 3 thru 7	2	2	2	2	2
3	TO-3374	END ASSEMBLY-Steering Drag Link-Rear composed of item 4	1	1		*	*
4	TO-3324	COVER ASSEMBLY-Dust	1	1	1	*	*
5	{ 31-001-125 S-9773-D	BOLT-Hex Head } Rod Link Clamp NUT-Tri-Lock }	2	2	2	2	2
6	S-1011C	FITTING-Lubrication-Drag Link End	2	2			
7	TO-3289	END ASSEMBLY-Steering Drag Link-Front	1	1	1	*	*
8	TO-3336	RETAINER-Grease-Steering Drag Link	2	2	2		
9	TO-3332	COVER-Dust-Steering Drag Link	2	2	2	*	*
10	{ TO-3130-A 44-001-262 44-14 44-003	ARM-Front Axle Spindle	2	2		2	2
		BOLT-Hex Head } Spindle Arm Clamp WASHER-Lock }	2	2	2	2	2
		NUT-Hex }					
11	S-9773-A	NUT-Tri-Lock-Drag Link End to Spindle Arm	2	2	2	2	2
12	31-09-125	KEY-Woodruff-Arm to Spindle Shaft	2	2		2	2
13	TO-3528	SEAL-Dust-Spindle Arm	2	2	2	2	2
14	TO-3006	ARM ASSEMBLY-Front Axle-R.H. composed of item 15	1	1	1	1	1
15	TO-3109	BUSHING-Axle Arm Spindle	2	2		2	2
16	12-107	FITTING-Lubrication-Front Axle Arm	2	2	2	2	2
17	S-9855	BEARING ASSEMBLY-Front Axle Arm Spindle	2	2	2	2	2
18	TO-3105	SPINDLE-Front Axle-R.H.-Less Hub Assembly	1	1		*	1
19	TO-3405	ROD ASSEMBLY-Radius	2	2	2	2	2
20	TO-3001	AXLE ASSEMBLY-Front-Center composed of item 21	1	1	1	1	1
21	TO-3039	BUSHING-Front Axle Center	1	1	1	1	1
22	TO-3026	SPACER-Support	1				
23	TO-3029	SUPPORT ASSEMBLY-Front Axle	1	1		1	*
24	TO-3126-A	PIN ASSEMBLY-Front Axle-Use with TO-3029-A Support		1		1	*
	50-001-112	BOLT-Hex Head } Front Axle Pin to Support WASHER-Lock }		1		1	1
	50-14						
	TO-3126-B	PIN ASSEMBLY-Front Axle-Use With 7/16 Bolt		1			
	TO-3124	BUSHING					
	44-001-125	BOLT-Hex Head } Front Axle Pin to Support WASHER-Lock }		1			
	44-14						
	44-204	WASHER-Flat					
	TO-3126-C	PIN ASSEMBLY-Front Axle-Use with 5/8 Bolt	1	1			
	TO-3124-A	BUSHING					
	62-001-138	BOLT-Hex Head } Front Axle Pin to Support WASHER-Lock }	1	1			
	62-14						
	62-204	WASHER-Flat					

Continued on Page 79

TRACTOR PARTS LIST

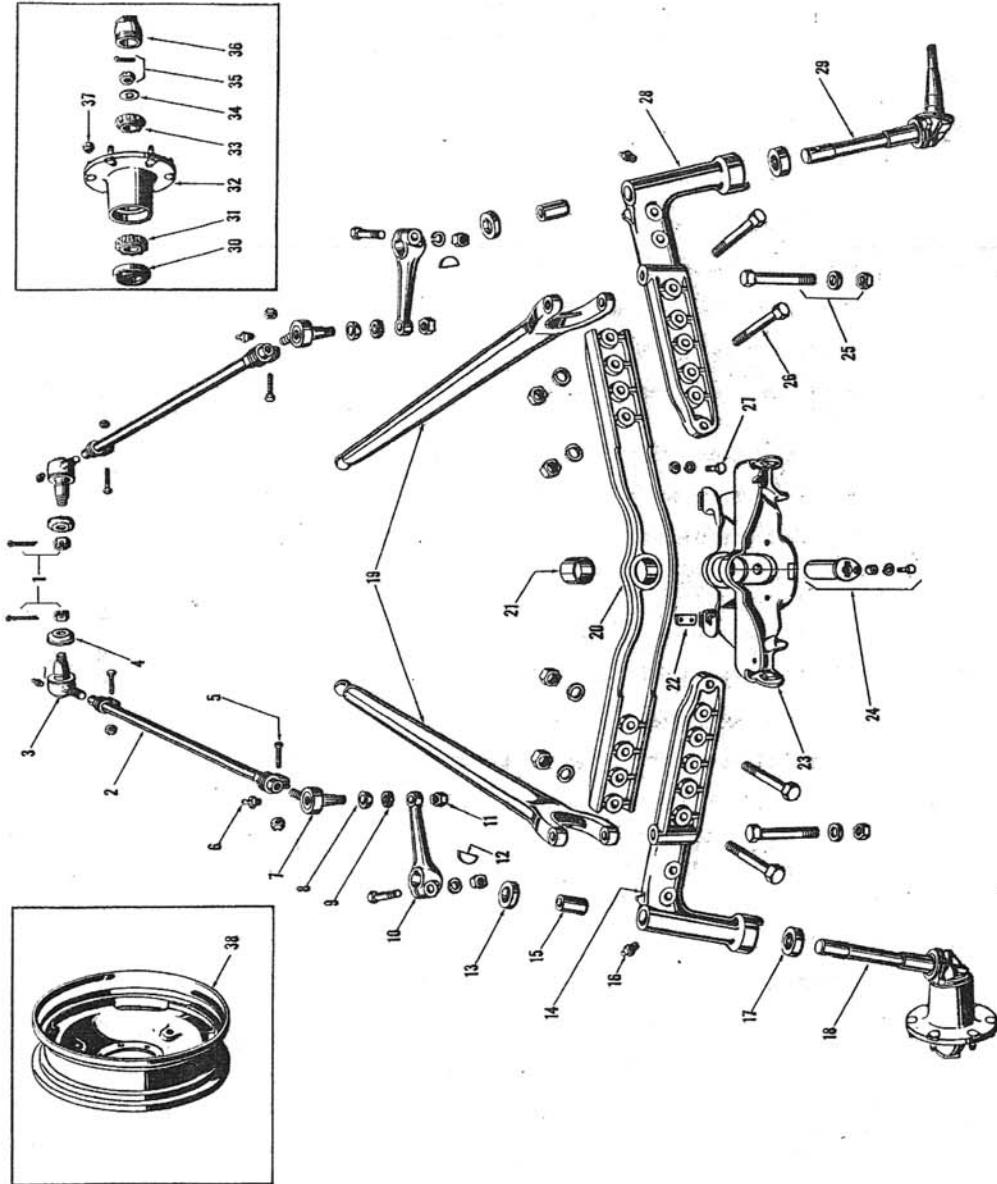


FIG. 29

TRACTOR PARTS LIST

REF. NO.	PART NO.	DESCRIPTION	QUAN. REQUIRED				
			TO-30	TO-20	9N-2N	TE-20	TEA-20
FIG. 29 AXLE-FRONT-WHEEL, HUB AND RELATED PARTS							
-Cont'd.							
25	{ 62-001-531 62-204 52-003	BOLT-Hex Head } WASHER-Flat } NUT-Hex } Radius Rod to Axle Arm	2	2	2	2	2
26	{ 62-001-288 62-204 62-003	BOLT-Hex Head } WASHER-Flat } NUT-Hex } Front Axle Arms to Center Axle	4	4	4	4	4
27	{ 62-001-325 62-14 62-003	BOLT-Hex Head } WASHER-Lock } NUT-Hex } Front Axle Support to Crankcase	4	4		4	4
28	TO-3007	ARM ASSEMBLY-Front Axle-L.H. composed of item 15	1	1	1	1	1
29	TO-3106	SPINDLE-Front Axle-L.H.	1	1		*	1
30	TO-1190	SEAL ASSEMBLY-Dust-Front Wheel Hub	2	2	2	2	2
31	S-9839	CONE AND ROLLER ASSEMBLY-Inner	2	2		*	2
32	TO-1104-1	HUB ASSEMBLY-Front Wheel composed of Hub not serviced and	2	2		*	2
	S-9838 S-9843 TO-1107	CUP-Bearing-Inner } CUP-Bearing-Outer } BOLT-Front Wheel Hub } Pressed in Position	1 1 6	1 1 6		6	6
33	S-9842	CONE AND ROLLER ASSEMBLY-Outer	2	2		*	2
34	TO-1195	WASHER-Retainer-Front Hub Bearing	2	2		2	2
35	{ 75-013 16-05-125	NUT-Slotted Hex } PIN-Cotter } Front Axle Spindle	2	2		2	2
36	TO-1139	CAP-Front Wheel Hub	2	2	2	2	2
37	S-9512-A	NUT-Front Wheel Hub Bolt	12	12	12	12	12
38	{ TO-1015-A S-9500-A	RIM ASSEMBLY-Wheel-For 4.00-19 Tire RIM ASSEMBLY-Wheel-For 6.00-16 Tire-Not Illustrated . .	2 2	2 2		2 2	2 2
* TE-2 & TE-A20 Service Items-Not Illustrated							
3	TS-3374	END ASSEMBLY-Steering Drag Link-Rear				2	2
4	1923	COVER ASSEMBLY-Dust-Rear Drag Link End				2	2
7	TS-3289	END ASSEMBLY-Steering Drag Link-Front				2	2
9	{ 1923 1888	COVER ASSEMBLY-Dust-Front Drag Link End CIRCLIP-Front Drag Link End Dust Cover				2 2	2 2
18	8517	SPINDLE-Front Axle-R.H.-After # 49,999 Order TO-3105 . .				1	
23	8703	SUPPORT ASSEMBLY-Front Axle					1
24	1569	PIN-Front Axle Support					1
29	8518	SPINDLE-Front Axle-L.H.-After # 49,999 Order TO-3106 . .				1	
31	{ S-9800 S-9801	CUP-Inner } #1-49,998 and 52,497-52,566, CONE AND ROLLER } After # 52,566 Order S-9839				1	
32	7117	HUB ASSEMBLY-Front Wheel-After # 49,999 Order TO-1104-1.				2	
33	S-9814	BEARING ASSEMBLY-Outer-#1-49,998 and 52,497-52,566, After # 52,566 Order S-9842 and S-9843				1 4	
	TO-3287	CLAMP-Steering Drag Link					4

TRACTOR PARTS LIST

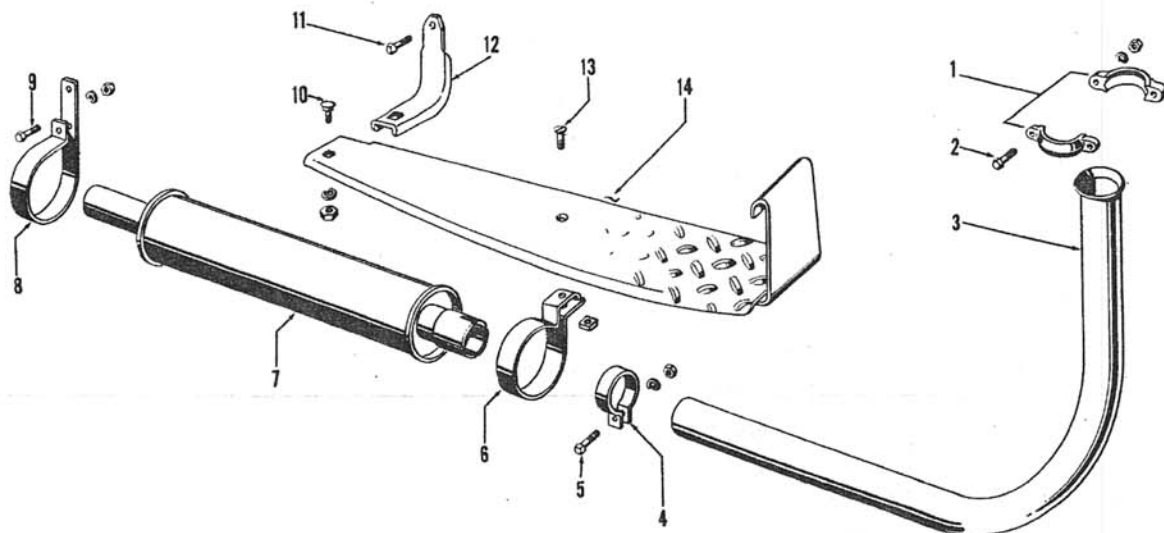


FIG. 30

REF. NO.	PART NO.	DESCRIPTION	QUAN. REQUIRED				
			TO-30	TO-20	9N-2N	TE-20	TEA-20
FIG. 30 MUFFLER AND STEP PLATES							
1	TO-5251	CLAMP-Muffler Inlet Pipe	2	2	2	2	2
2	{ 31-101-162	SCREW-Cap	2	2	2	2	2
	{ 31-14	WASHER-Lock } Clamp to Inlet Pipe					
3	{ 31-2103	NUT-Hex Mach.	1	1	*	*	1
	{ TO-5245	PIPE-Inlet-Manifold to Muffler					
4	TO-5260	CLIP-Inlet Pipe to Muffler	1	1		1	1
5	{ 25-101-100	SCREW-Cap	1	1		1	1
	{ 25-14	WASHER-Lock } Inlet Pipe to Muffler Clip					
6	{ 25-2103	NUT-Hex Mach.	1	1		*	*
	{ TO-16461	CLIP-Muffler to Step Plate					
7	TO-5230	MUFFLER ASSEMBLY	1	1		*	*
8	TO-5264	CLIP-Muffler to Rear Axle Housing	1	1		1	1
9	{ 31-101-100	SCREW-Cap	1	1		1	1
	{ 31-14	WASHER-Lock } Muffler Clip to Rear Axle Housing					
10	{ 31-2103	NUT-Hex Mach.	2	2			
	{ 38-011-88	BOLT-Carriage } Rear Step Bracket to Step Plate					
11	{ 38-14	WASHER-Lock	2	2			
	{ 38-003	NUT-Hex					
12	44-101-125	SCREW-Cap-Rear Step Bracket to Center Housing	2	2			
13	TO-16452-A	BRACKET-Rear Step Plate	2	2			
13	{ 25-102-100	SCREW-Flat Hd.	1	1			
	{ S-9774-B	NUT-Square } Step Plate to Muffler Clip					
14	{ TO-16450-1	STEP PLATE ASSEMBLY-R.H.	1	1		*	*
	{ TO-16451-1	STEP PLATE ASSEMBLY-L.H.-Not Illustrated composed of items 10 and 12					
* TE- & TE-A20 Service Items-Not Illustrated							
3	{ 8540	PIPE-Inlet-Manifold to Muffler				1	1
	{ 8534	PIPE-Inlet-Manifold to Muffler-Prior to # 200,001					
6	{ 8756	PIPE-Inlet-Manifold to Muffler-After # 200,001					1
	{ 1383	CLIP-Exhaust Shield to Muffler					
7	TS-5230	MUFFLER ASSEMBLY				1	1
14	{ TS-85	STEP KIT-Tractor				1	1
	{ 8561	SHIELD ASSEMBLY-Muffler Exhaust					
14	{ 1276	HALF CLIP-Lower Exhaust Shield				1	1
	{ 1574	GASKET-Exhaust Flange					
14	{ 1954	BRACKET-Exhaust Pipe Clip					1
	{ 1955	CLIP-Exhaust Pipe					

TRACTOR PARTS LIST

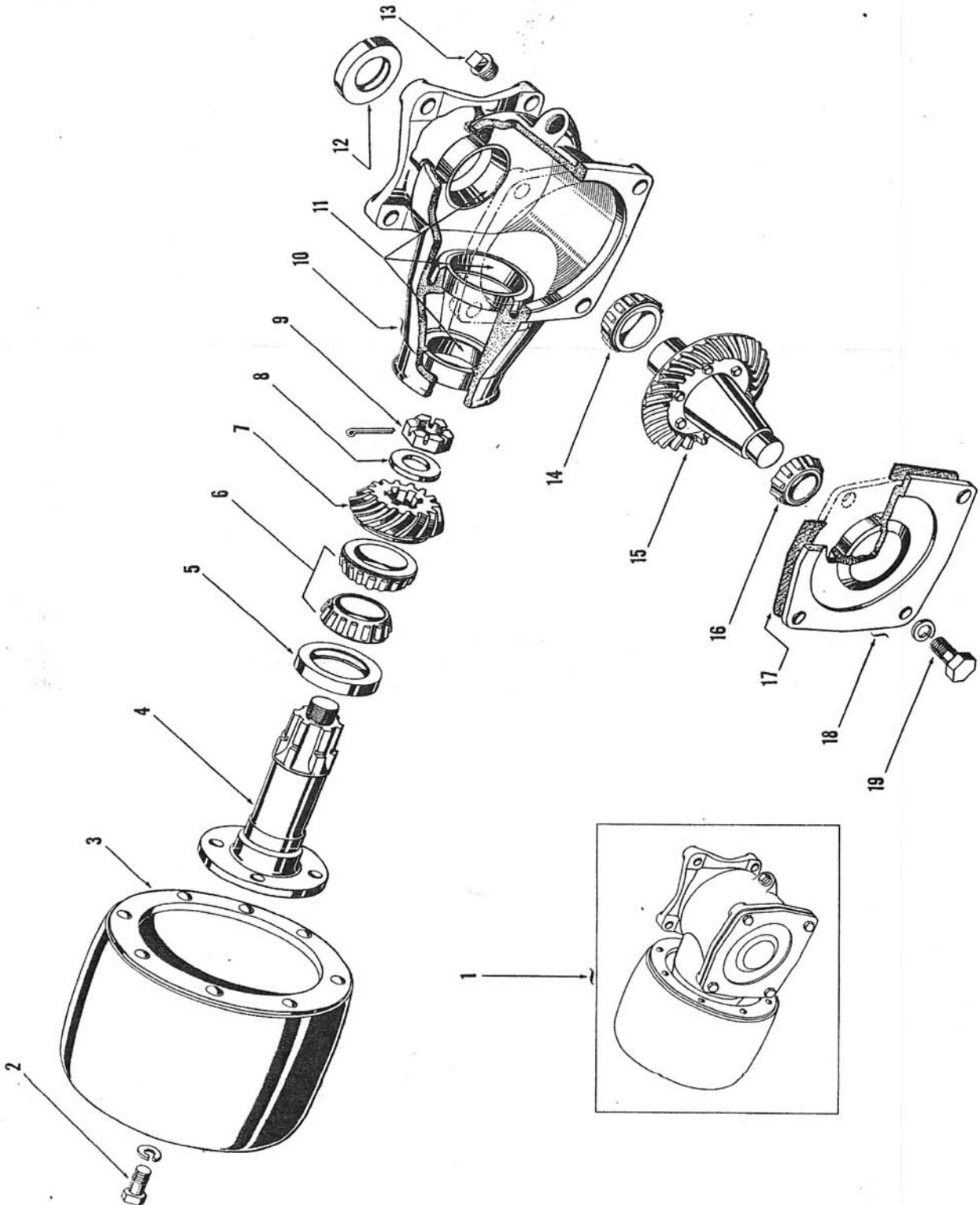
REF. NO.	PART NO.	DESCRIPTION	QUAN. REQUIRED				
			TO-30	TO-20	9N-2N	TE-20	TEA-20
		GROUP 31 SHIPPING KIT					
	TO-17003	SHIPPING KIT-Not a service item composed of					
	TO-5182	DRAWBAR-See Fig. 5	1	1		1	1
	TO-5372	STAY ASSEMBLY-Drawbar-R.H.	1	1		1	1
	TO-5373	STAY ASSEMBLY-Drawbar-L.H. See Fig. 5	1	1		1	1
	TO-17014	WRENCH-Open End-11/16 and 1 1/16 Hex.	1	1		1	1
	TO-17016-1	WRENCH-Open End-1/2 and 9/16 Hex.	1	1		1	1
	TO-17018-1	WRENCH-Open End-3/8 and 7/16 Hex.	1	1		1	1
	TO-17026	WRENCH-Socket-Spark Plug	1	1		1	*
	TO-17028	BAR-Socket Wrench	1	1		1	1
	TO-17040	CRANK-Starting	1	1		1	1
		* TE- & TE-A20 Service Item-Not Illustrated					
	1814	WRENCH-Spark Plug-14 M/M-Not Part of TO-17003					1

TRACTOR ACCESSORIES PARTS LIST

REF. NO.	PART NO.	DESCRIPTION	QUAN. REQUIRED				
			TO-30	TO-20	9N-2N	TE-20	TEA-20
		GROUP 32 TOOLS AND SPECIAL EQUIPMENT					
	M-1001	PAINT-Gray Enamel-Sold in 1 qt. and 1 gal. containers . .	1	1	1	1	1
	A-TO-68	STORM COVER	1	1	1	1	1
	A-TO-70	JACK ASSEMBLY-Tractor	1	1		1	1
	A-TO-77	TIRE PUMP KIT	1	1		1	1
	A-TO-17083	ADAPTER-Tire Pump	1	1		1	1
	A-TO-17084	WASHER-Adapter-Rubber	1	1		1	1
	A-TO-17081	SCREW-Adapter-Retaining	1	1		1	1
	A-TO-78	DUAL REAR WHEEL KIT composed of	1	1		1	1
	A-TO-1112	SPACER-Wheel	2	2		2	2
	A-TO-1114	NUT-Special-Wheel Spacer	16	16		16	16
	A-TO-84	TEMPERATURE INDICATOR KIT composed of Indicator not serviced and	1	1	1	1	1
	A-TO-10884	ADAPTER-Temperature Indicator				1	1
	A-TO-17668-A	CLIP-Temperature Indicator Cable	3	3	3	2	2
	A-TO-17125	GREASE-Gun-Lever Type	1	1	1	1	1
	A-TO-17128-A	ADAPTER-Grease Gun	1	1	1	1	1

TRACTOR ACCESSORIES PARTS LIST

FIG. 33

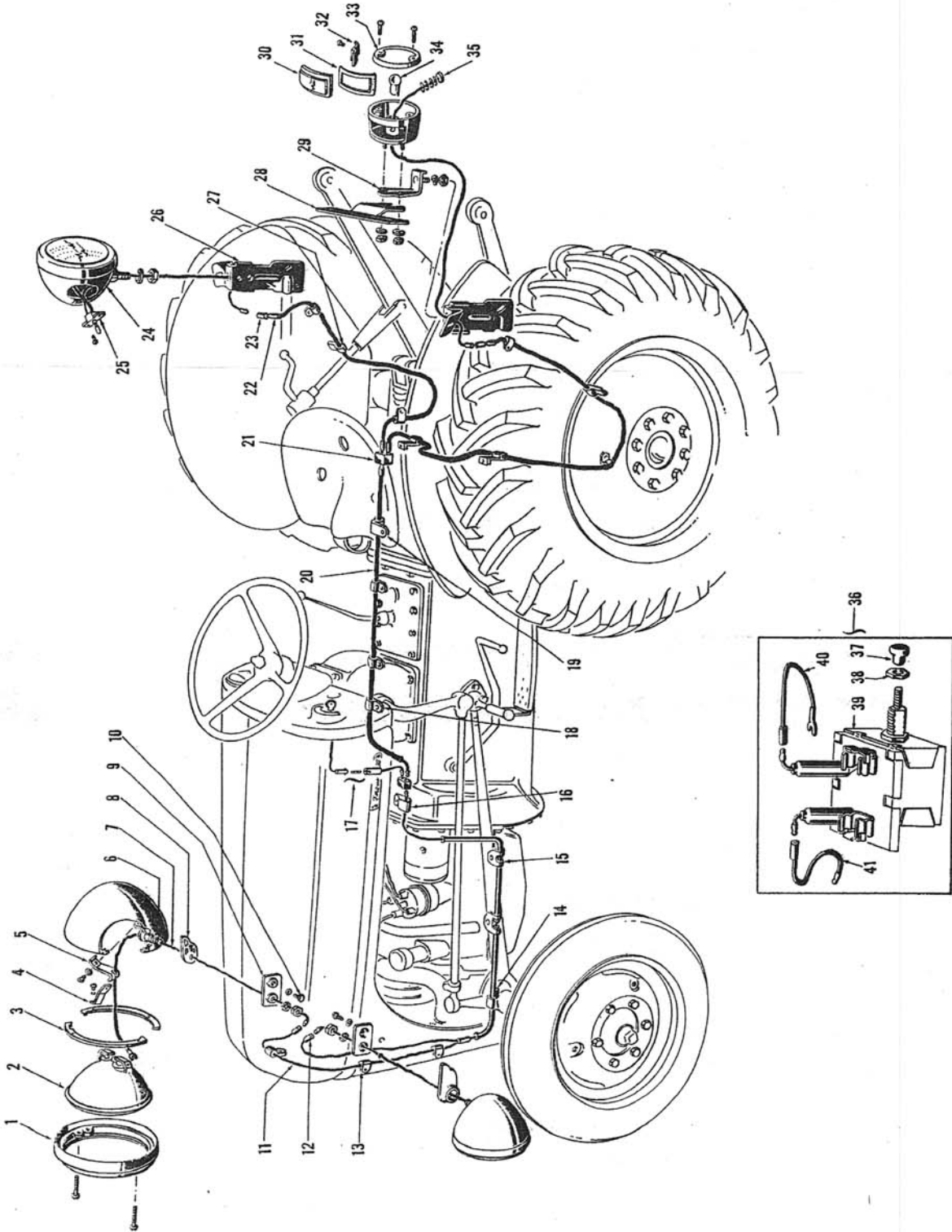


TRACTOR ACCESSORIES PARTS LIST

REF. NO.	PART NO.	DESCRIPTION	QUAN. REQUIRED				
			TO-30	TO-20	9N-2N	TE-20	TEA-20
FIG. 33 POWER TAKE-OFF PULLEY ATTACHMENT							
1	A-TO-66	PULLEY ATTACHMENT ASSEMBLY composed of items 2 thru 19	1	1	1	1	1
2	{ 44-001-88 44-14	BOLT-Hex Head } Drive Pulley to Shaft WASHER-Lock }	4	4	4	4	4
3	A-TO-740	PULLEY-Power Take-Off-9" Dia.	1	1	1	1	1
	A-TO-736	DRIVE ASSEMBLY-Pulley-Not Illustrated composed of items 4 thru 19	1	1	1	1	1
4	A-TO-746	SHAFT-Pulley Driven	1	1	1	1	1
5	S-9904	SEAL-Oil-Pulley Driven Shaft	1	1	1	1	1
6	S-9809	CONE AND ROLLER ASSEMBLY	2	2	2	2	2
	A-TO-713	GEAR ASSEMBLY-Pulley Shaft composed of items 7 and 15	1	1	1	1	1
7	A-TO-745	GEAR-Driven Pulley Shaft-Not Serviced-Order A-TO-713					
8	62-204	WASHER-Flat-Pulley Drive Shaft	1	1	1	1	1
9	{ 62-013 S-72200	NUT-Slotted Hex } Pulley Driven Shaft PIN-Hammerlock Cotter }	1	1	1	1	1
10	A-TO-762	HOUSING ASSEMBLY-Pulley composed of Housing not serviced and item 11	1	1	1	1	1
11	S-9810	CUP-Bearing-Pressed in Place	3	3	3	3	3
12	S-9905	SEAL-Oil-Drive Gear and Shaft Bearing	1	1	1	1	1
13	S-353064	PLUG-Pipe-Housing Oil Drain	1	1	1	1	1
14	S-9809	CONE AND ROLLER ASSEMBLY	1	1	1	1	1
15	A-TO-737	GEAR AND SHAFT-Pulley Drive-Not Serviced-Order A-TO-713					
16	S-9812	CONE AND ROLLER ASSEMBLY	1	1	1	1	1
17	{ A-TO-747-A A-TO-747-B A-TO-747-C	GASKET-.020 Thick } Pulley Housing Cover GASKET-.016 Thick } GASKET-.012 Thick }	As Req.	As Req.	As Req.	As Req.	A. Req.
18	A-TO-761	COVER ASSEMBLY-Pulley Housing composed of Cover not serviced and	1	1	1	1	1
	S-9813	CUP-Bearing-Pressed in Place	1	1	1	1	1
19	{ 44-101-100 44-14	SCREW-Cap } Cover to Pulley Housing WASHER-Lock }	4	4	4	4	4

TRACTOR ACCESSORIES PARTS LIST

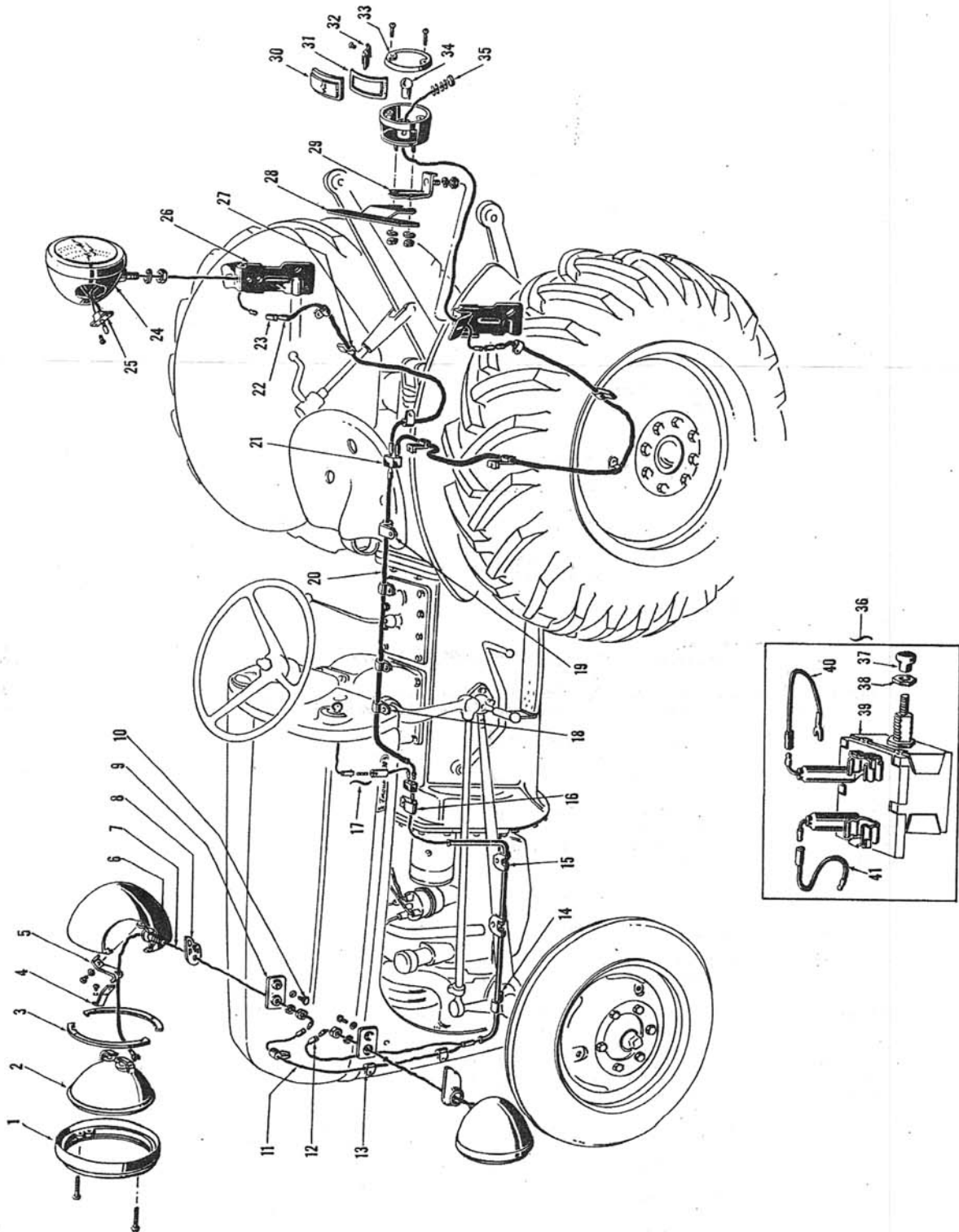
FIG. 34



TRACTOR ACCESSORIES PARTS LIST

REF. NO.	PART NO.	DESCRIPTION	QUAN. REQUIRED				
			TO-30	TO-20	9N-2N	TE-20	TEA-20
		FIG. 34 LIGHTING KIT					
	A-TO-76-A1	LIGHTING KIT composed of the following and items 1 thru 35	1				
	A-TO-13005-1	HEADLAMP ASSEMBLY-R.H.	1	1	1	1	1
	A-TO-13006-1	HEADLAMP ASSEMBLY-L.H. composed of items 1 thru 7	1	1	1	1	1
1	{ A-TO-13045 A-TO-13434	BEZEL-Headlamp SCREW-Rd. Hd.	1 2	1 2	1 2	1 2	1 2
2	A-TO-13007	BULB ASSEMBLY-Headlamp	1	1	1	1	1
3	A-TO-13034	RING-Headlamp Mounting	2	2	2	2	2
4	{ A-TO-13433 16-112-38 16-14	STRAP-Ground SCREW-RD. Hd. WASHER-Lock } Strap to Ring to Bezel	1 4	1 4	1 4	1 4	1 4
5	{ A-TO-13015 16-112-25 16-14	RETAINER-Lamp Swivel Bolt SCREW-RD. Hd. WASHER-Lock } Retainer to Body	1 1	1 1	1 1	1 1	1 1
6	{ A-TO-13022 50-14 50-003	BOLT-Headlamp Mounting WASHER-Lock } Bolt to Bracket NUT-Hex	1 1	1 1	1 1	1 1	1 1
7	A-TO-13075	WIRE ASSEMBLY-Headlamp	1	1	1	1	1
8	{ A-TO-13472 A-TO-13473	MEDALLION-Headlamp Mounting-R.H. MEDALLION-Headlamp Mounting-L.H.	1 1	1 1	1 1	1 1	1 1
9	A-TO-13102	REINFORCEMENT-Headlamp Bracket	2	2	2	2	2
10	{ 31-001-38 31-14	BOLT-Hd. } Reinforcement to Medallion WASHER-Lock }	2	2	2	2	2
11	A-TO-17671	WIRING ASSEMBLY-Headlamp composed of Wire and Conduit not serviced and	1	1		1	1
12	A-TO-14456	CONNECTOR AND SLEEVE ASSEMBLY	2	2		2	2
13	A-TO-11655	CLIP-Wiring to Grille	3	3		3	3
14	{ A-TO-17669 19-112-75 19-14 19-2103	CLAMP-Wiring to Front Axle Support SCREW-Rd. Hd. } Clamp to Support WASHER-Lock } NUT-Hex Mach. }	1 1	1 1		1 1	1 1
15	A-TO-17674	CLAMP-Wire to Oil Pan	2	2		2	2
16	A-TO-11656	CLIP-Wire to Harness	1	1		1	1
17	A-TO-13160-1	WIRE ASSEMBLY-Switch to Lights composed of	1				
	A-TO-13161	RETAINER-Fuse	1				
	A-TO-13162	WASHER-Fuse Insulating	1				
	A-TO-13163	SPRING-Fuse Contact	1				
	A-TO-13166	INSULATOR-Fuse	1				
	A-TO-13168	WIRE ASSEMBLY-Switch to Fuse	1				
	A-TO-13169	WIRE ASSEMBLY-Fuse to Lights	1				
	A-TO-14526	FUSE-Not Serviced					
18	A-TO-17668-A	CLIP-Wiring to Axle, Fender, Cover and Panel . . .	7	7	7	7	7
19	A-TO-17667	CLAMP-Wiring to Hydraulic Pump Cover	3	3	3	3	3
20	A-TO-11653-A	WIRING ASSEMBLY-Tail Lamp composed of items 17, and 21 thru 23	1	1		1	1
21	A-TO-14487	CONNECTOR ASSEMBLY-Four Way	2	2		2	2
22	A-TO-14454-C	SLEEVE-Wire Connector	6	6		6	6

TRACTOR ACCESSORIES PARTS LIST



TRACTOR ACCESSORIES PARTS LIST

REF. NO.	PART NO.	DESCRIPTION	QUAN. REQUIRED				
			TO-30	TO-20	9N-2N	TE-20	TEA-20
FIG. 34 LIGHTING KIT —Cont'd.							
23	A-TO-14456	CONNECTOR AND SLEEVE ASSEMBLY	3	3		3	3
24	A-TO-13035-1	WORKLAMP ASSEMBLY-Rear composed of items 1 thru 7 and 25	1	1		1	1
25	{ A-TO-13432 16-112-25 A-TO-13436 A-TO-13437	SWITCH-Toggle	1	1		1	1
		SCREW-Rd. Hd.-Switch to Body	2	2		2	2
		WIRE-Switch to Light Unit	1			1	1
		WIRE-Circuit to Switch	1	1		1	1
26	{ A-TO-13470-1 A-TO-13471-1	BRACKET-Slotted-Rear Fender Lamp-R.H.	1	1		1	1
		BRACKET-Slotted-Rear Fender Lamp-L.H.	1	1		1	1
27	A-TO-14585	CLIP-Wiring to Fender	1	1		1	1
28	{ A TO-13411 25-14 25-2103	BRACKET ASSEMBLY-License	1	1	1	1	1
		WASHER-Lock } Bracket to Support	2	2	2	2	2
		NUT-Hex Mach. }					
29	{ A-TO-13468 44-14 44-003	SUPPORT ASSEMBLY-License Bracket	1	1	1	1	1
		WASHER-Lock } Support to Bracket-L.H.	1	1	1	1	1
		NUT-Hex }					
	A-TO-13410-1	TAIL LAMP ASSEMBLY-Rear composed of items 30 thru 35	1	1	1	1	1
30	A-TO-13445	LENS-Tail Lamp	1	1	1	1	1
31	A-TO-13447	GASKET-License Lens	1	1	1	1	1
32	{ A-TO-13446 S-73204	CLIP-Tail Lamp Lens Retainer	2	2	2	2	2
		SCREW-Lens Retaining	2	2	2	2	2
33	{ A-TO-13448 S-38631	DOOR ASSEMBLY-Tail Lamp-Red Lens	1	1	1	1	1
		SCREW-Door Retaining	2	2	2	2	2
34	A-TO-13466	BULB-Tail Lamp	1	1	1	1	1
35	A-TO-13460	CABLE ASSEMBLY-Tail Lamp Connector	1	1	1	1	1
36	A-TO-76-B	SERVICE COMBINATION-Lighting Kit composed of items 37 thru 41		1	1	1	1
37	A-TO-9703-1	KNOB-Light Switch		1	1	1	1
38	A-TO-13435	NUT-Switch		1	1	1	1
39	A TO-11652-1	SWITCH ASSEMBLY		1	1	1	1
40	A TO-13431	WIRE-Ignition to Switch		1	1	1	1
41	A-TO-13172	WIRE-Light Switch to Harness		1	1	1	1
TE-A 12 VOLT KIT							
	A-TS-76	LIGHTING KIT-12 Volt composed of items 36 and all items listed under A-TO-76-A1 with the following exceptions					1
	A-TS-13005	HEADLAMP ASSEMBLY-R.H.					1
	A-TS-13006	HEADLAMP ASSEMBLY-L.H. composed of items 1, 3 thru 7 and					1
2	A-TS-13007 A-TS-13035	BULB ASSEMBLY-Head Lamp					1
		WORKLAMP ASSEMBLY-Rear composed of items 1, 3 thru 7, 25 and A-TS-13007.					1
	A-TS-13410	TAIL LAMP ASSEMBLY-Rear composed of items 30 thru 33, 35 and					1
34	A-TS-13466	BULB-Tail Lamp					1

TRACTOR ACCESSORIES PARTS LIST

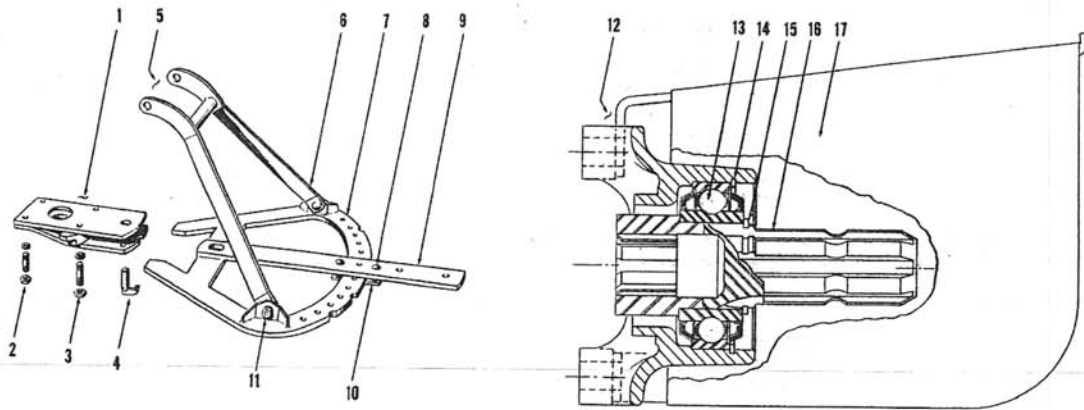


FIG. 35

REF. NO.	PART NO.	DESCRIPTION	QUAN. REQUIRED				
			TO-30	TO-20	9N-2N	TE-20	TEA-20
FIG. 35 POWER TAKE-OFF CONVERSION KIT-SEINGING DRAWBAR							
	A-TO-88	P.T.O. CONVERSION KIT-Swinging Drawbar	1	1		1	1
		For P.T.O. Kit with Extension Drawbar, See Fig. 36 composed of items 1 thru 17					
1	A-TO-71	CLEVIS ASSEMBLY	1	1		1	1
		composed of Clevis not serviced and items 2 thru 4					
2	{ A-TO-802 62-14 62-003	STUD-Short WASHER-Lock } Clevis to Center Housing	2	2		2	2
3	{ A-TO-801 62-14 62-003	NUT -Lock STUD-Long WASHER-Lock } Clevis to Center Housing	2	2		2	2
4	A-TO-820	NUT-Hex PIN ASSEMBLY-Drawbar Clevis	1	1		1	1
		composed of Pin not serviced and					
	A-TO-821	SPRING-Latch					
	A-TO-822	DEVENT-Latch					
	A-TO-823	LEVER-Latch					
5	S-10221	PIN-Groove	1	1		1	1
	A-TO-72	DRAWBAR ASSEMBLY-Swinging	1	1		1	1
		composed of items 6 thru 11					
6	A-TO-840	STRUT ASSEMBLY-Drawbar	1	1		1	1
7	A-TO-835	GUIDE ASSEMBLY-Drawbar	1	1		1	1
8	{ 50-001-200 A-TO-832 50-14 50-003	BOLT-Hex Head SPACER-Plate WASHER-Lock } Drawbar to Guide Plate	2	2		2	2
9	A-TO-834	NUT-Hex					
	A-TO-833	DRAWBAR-Swinging	1	1		1	1
10	A-TO-833	PLATE-Drawbar Guide	1	1		1	1
	{ 50-011-125 A-TO-831 50-104 50-003	BOLT-Carriage SPACER-Strut WASHER-Flat } Strut to Drawbar Guide	2	2		2	2
11	A-TO-831	NUT-Hex					
12	A-TO-73	ADAPTER AND GUARD ASSEMBLY-P.T.O.	1	1		1	1
		composed of Housing not serviced and items 13 thru 17					
13	S-9850	BEARING ASSEMBLY	1	1		1	1
14	S-10150	RING-Snap-Bearing Retainer	1	1		1	1
15	S-10151	RING-Snap-Bearing Retainer	1	1		1	1
16	A-TO-8925	SHAFT ASSEMBLY-Adapter	1	1		1	1
17	A-TO-8930	GUARD ASSEMBLY-P.T.O.	1	1		1	1

TRACTOR ACCESSORIES PARTS LIST

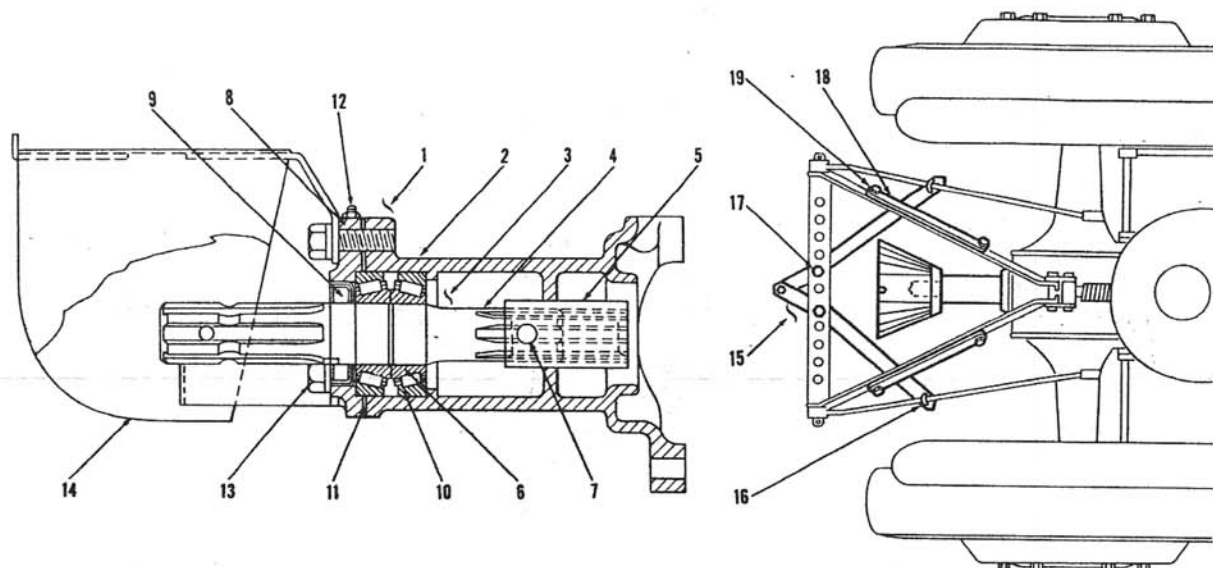


FIG. 36

REF. NO.	PART NO.	DESCRIPTION	QUAN. REQUIRED				
			TO-30	TO-20	9N-2N	TE-20	TEA-20
		FIG. 36 POWER TAKE-OFF CONVERSION KIT- EXTENSION DRAWBAR					
	C-LO-8920	P.T.O. CONVERSION KIT-Extension Drawbar	1	1	1	1	1
1	C-LO-8921	For P.T.O. Kit with Swinging Drawbar, See Fig. 35 SHAFT EXTENSION AND GUARD ASSEMBLY composed of items 2 thru 14	1	1	1	1	1
2	C-LO-8922	HOUSING-Shaft Extension-Not Serviced					
3	C-LO-8923	SHAFT ASSEMBLY composed of items 4 thru 7	1	1	1	1	1
4	C-LO-8924	SHAFT	1	1	1	1	1
5	C-LO-8926	SLEEVE	1	1	1	1	1
6	S-9875	CONE AND ROLLER	2	2	2	2	2
7	31-06-188	RIVET-Button Hd.-Sleeve to Shaft	1	1	1	1	1
8	C-LO-8928	COVER-Shaft Extension Housing	1	1	1	1	1
9	C-LO-8929-B	SEAL-Felt	1	1	1	1	1
10	S-9810	CUP-Bearing	2	2	2	2	2
11	{ C-LO-8941 C-LO-8945 C-LO-8946	SHIM-.012 Thick } SHIM-.005 Thick } Cover to Housing SHIM-.003 Thick }	As Req.	As Req.	As Req.	As Req.	As Req.
12	12-107	FITTING-Lubricator-Housing Cover	1	1	1	1	1
13	{ 44-101-150 44-14	SCREW-Cap } WASHER-Lock } Cover to Housing	3	3	3	3	3
14	C-LO-8930	GUARD ASSEMBLY-Shaft Extension	1	1	1	1	1
15	C-LO-8935	EXTENSION DRAWBAR ASSEMBLY composed of extension not serviced and items 16 thru 19	1	1	1	1	1
16	{ C-LO-8938 62-14 62-003	BOLT-Hook } WASHER-Lock } Extension Drawbar to Lower Links . .	2	2	2	2	2
	62-003	NUT-Hex	4	4	4	4	4
	62-011-250	BOLT-Carriage	4	4	4	4	4
17	{ 62-14 62-003	WASHER-Lock } NUT-Hex } Extension Drawbar to Drawbar . . .	2	2	2	2	2
18	C-LO-8934	BRACE-Stay	2	2	2	2	2
19	44-001-138	BOLT-Hex Head-Stay Brace to Upper Links	4	4	4	4	4

TRACTOR ACCESSORIES PARTS LIST

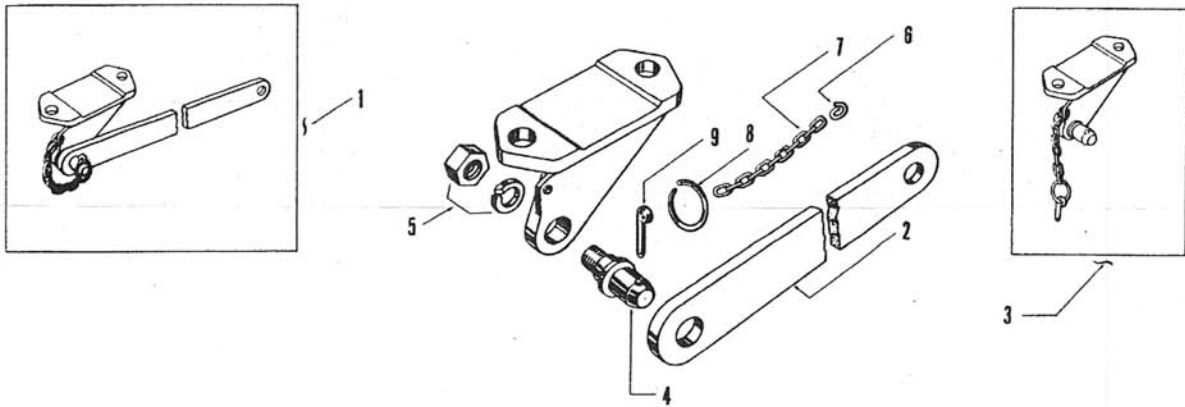


FIG. 37

REF. NO.	PART NO.	DESCRIPTION	QUAN. REQUIRED				
			TO-30	TO-20	9N-2N	TE-20	TEA-20
FIG. 37 STABILIZER ASSEMBLY							
	A-TO-59	STABILIZER ASSEMBLY-Complete composed of items 1 thru 9	1	1	1	1	1
1	{ A-TO-9781 A-TO-9782	STABILIZER ASSEMBLY-R.H.	1	1	1	1	1
		STABILIZER ASSEMBLY-L.H.-Not Illustrated composed of items 2 thru 9	1	1	1	1	1
2	A-TO-9662	LINK-Stay	1	1	1	1	1
3	{ A-TO-9635 A-TO-9637	BRACKET, ANCHOR AND LINC H PIN ASSY.-R.H.	1	1	1	1	1
		BRACKET, ANCHOR AND LINC H PIN ASSY.-L.H.-Not Illustrated composed of Bracket not serviced and items 4 thru 9	1	1	1	1	1
4	A-TO-9661	PIN-Link Stay Anchor	1	1	1	1	1
5	{ 62-14 62-003	WASHER-Lock } Anchor Pin to Bracket NUT-Hex	1	1	1	1	1
6	S-9570	ANCHOR-Chain	1	1	1	1	1
7	S-9561-A	CHAIN-6 Links	1	1	1	1	1
8	S-9563	RING-Linch Pin Locking	1	1	1	1	1
9	S-9552	PIN-Linch	1	1	1	1	1



Form 0-3400-A

LITHOGRAPHED IN U. S. A.

AUGUST 1951